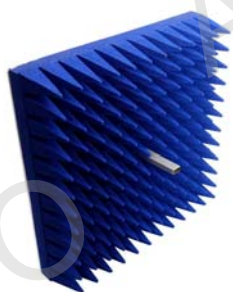


## Technical Specification

62EWGES



62EWGES-A1

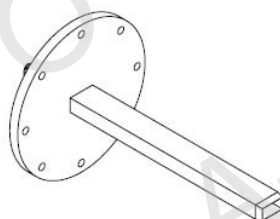
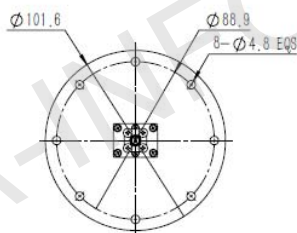
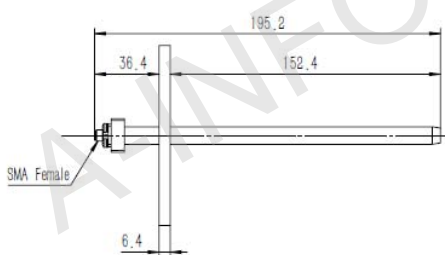


Frequency Range(GHz)	12.4 - 18.0	
Waveguide	WR62	
Gain(dBi)	5 Typ.	
Polarization	Linear	
3dB Beamwidth(deg)	E Plane:	107 Typ.
	H Plane:	59 Typ.
Cross Pol. Isolation(dB)	30 Typ.	
VSWR	2.0:1 Typ.	
Output	Endlaunch SMA-Female or Endlaunch N-Female	
Material	Al	
Size(mm)	62EWGEx:	101.6 x 101.6 x 195.2
	62EWGEx-A1:	399.6 x 399.6 x 195.2
Net Weight(Kg)	62EWGEx:	0.15 Around
	62EWGEx-A1:	2.4 Around

## Outline Drawing (Size: mm)

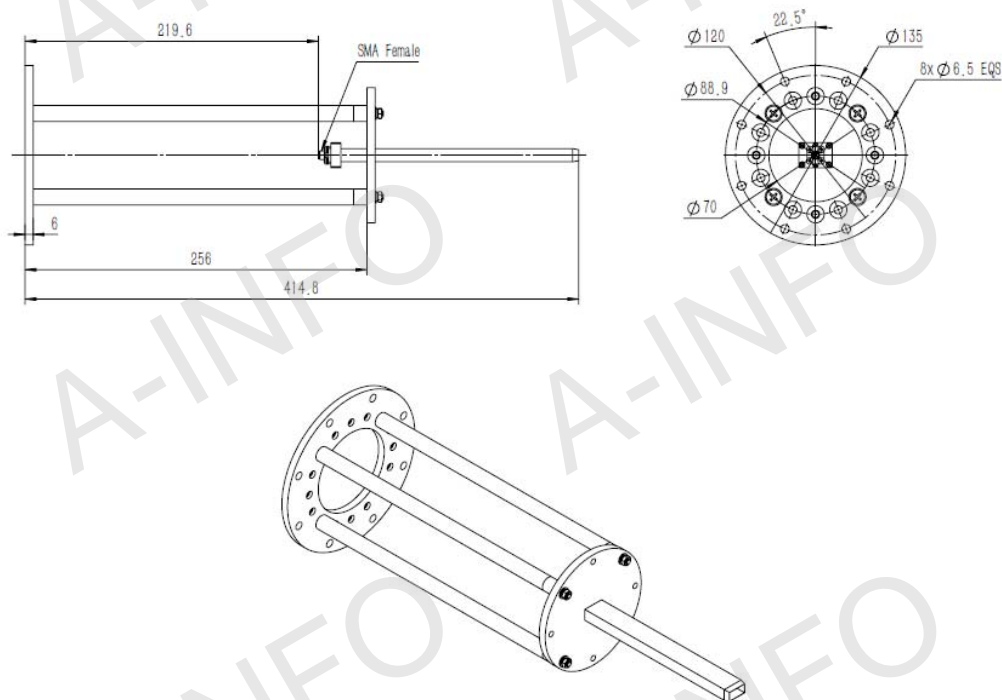
62EWGES (With Endlaunch SMA-Female Output)

For Endlaunch N-Female output outline drawing, please contact A-INFO.



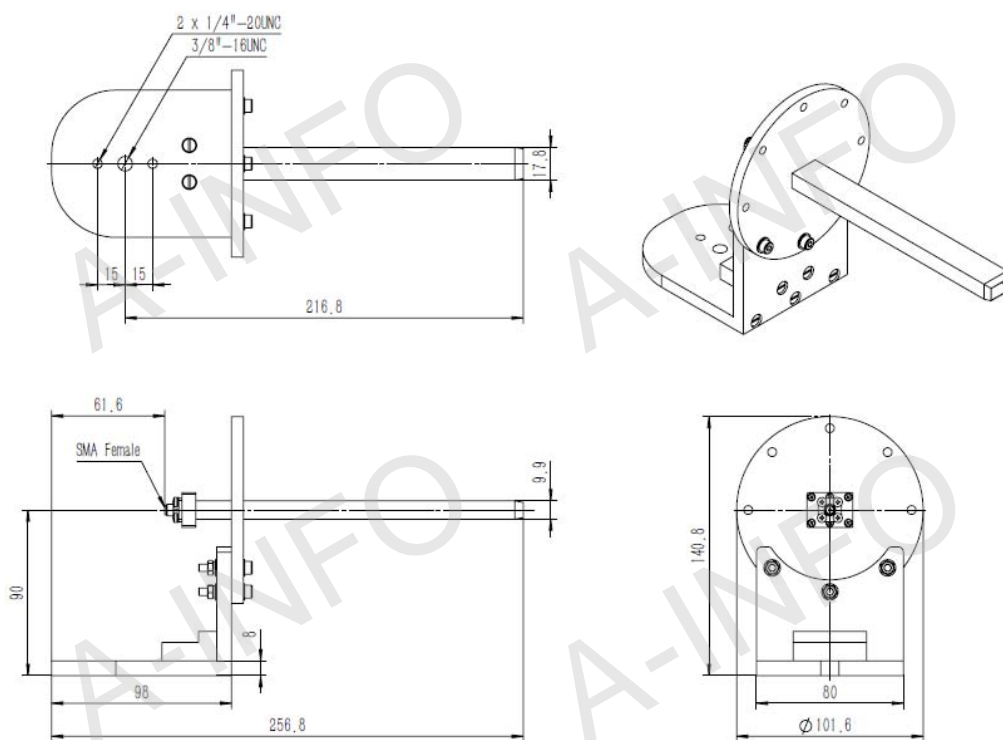
## 62EWGES (With Endlaunch SMA-Female Output & Round Mounting Bracket)

For Endlaunch N-Female output outline drawing, please contact A-INFO.



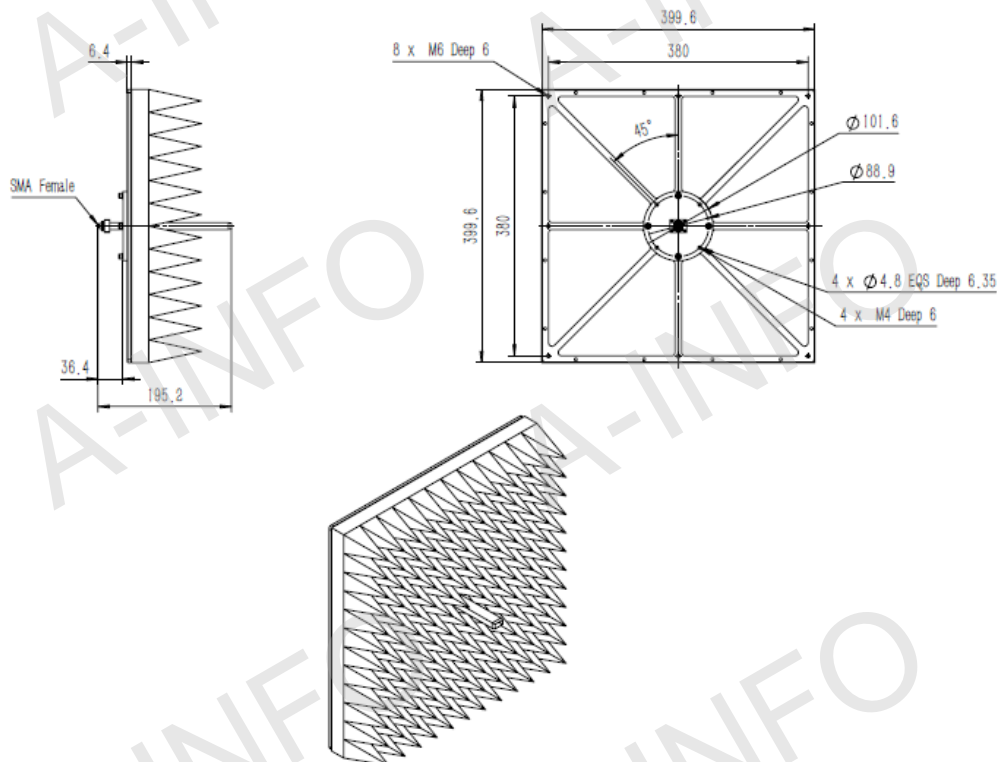
## 62EWGES (With Endlaunch SMA-Female Output & L Type Mounting Bracket)

For Endlaunch N-Female output outline drawing, please contact A-INFO.



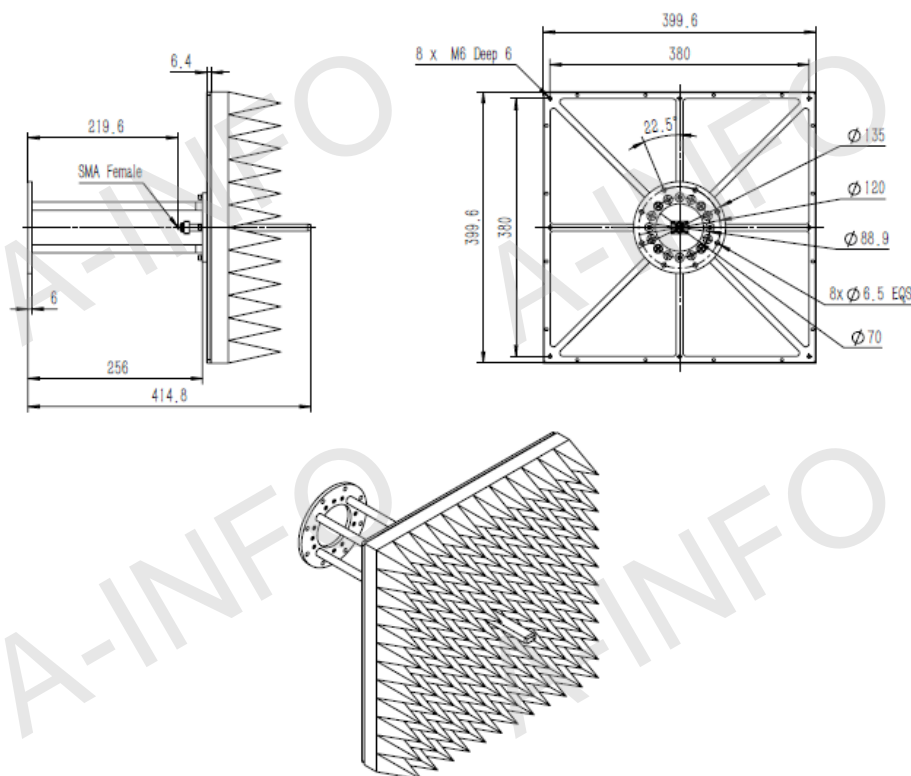
## 62EWGES-A1 (With Endlaunch SMA-Female Output, Equipped with Absorber)

For Endlaunch N-Female output outline drawing, please contact A-INFO.



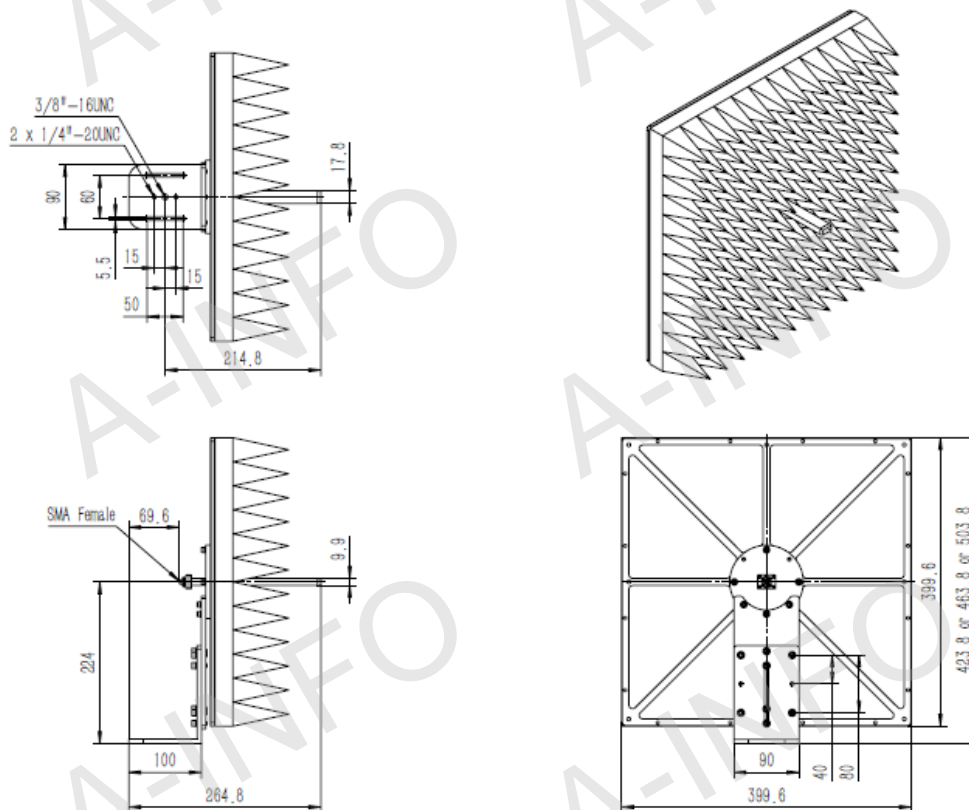
## 62EWGES-A1 (With Endlaunch SMA-Female Output & Round Mounting Bracket, Equipped with Absorber)

For Endlaunch N-Female output outline drawing, please contact A-INFO.



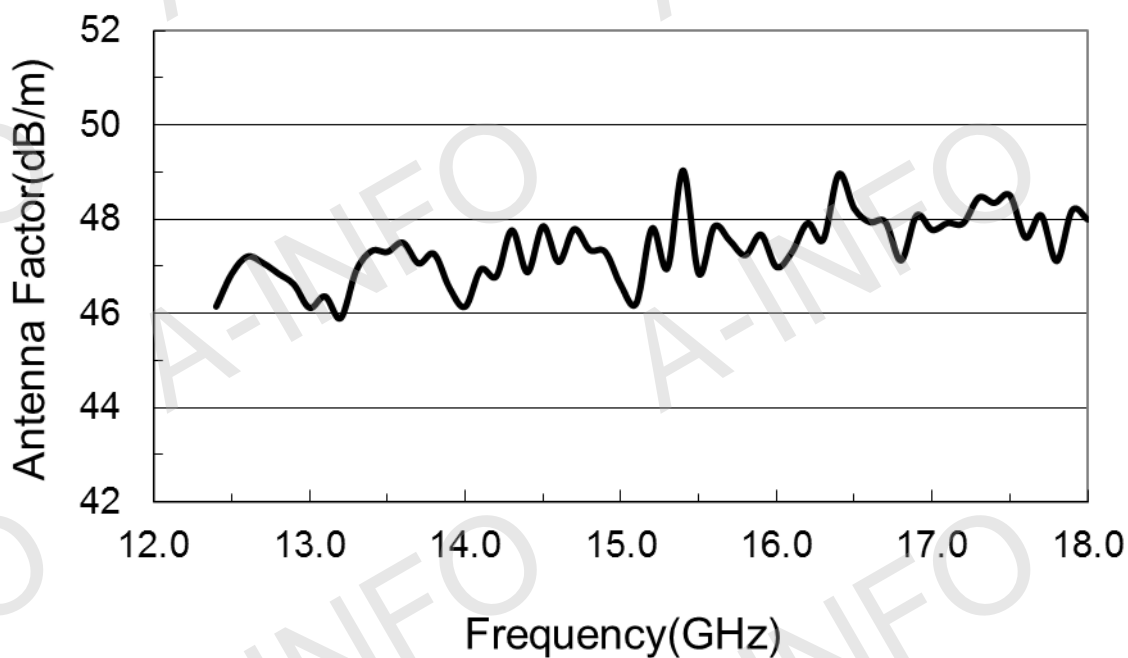
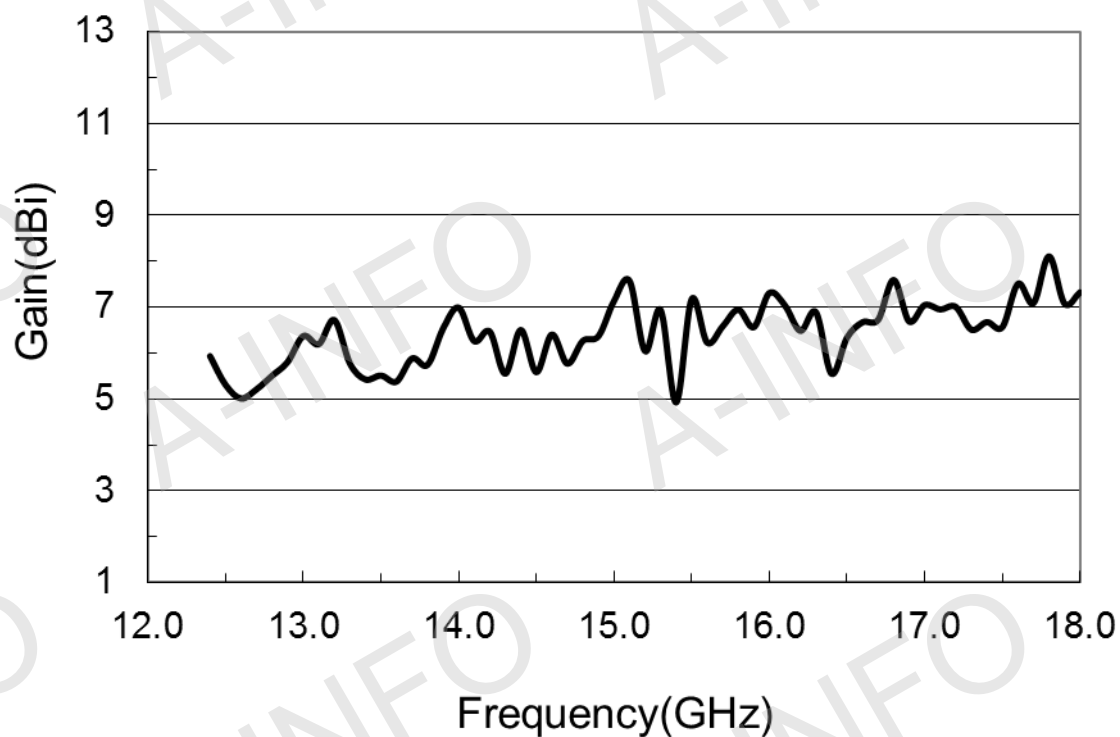
62EWGES-A1 (With Endlaunch SMA-Female Output & L Type Mounting Bracket, Equipped with Absorber)

For Endlaunch N-Female output outline drawing, please contact A-INFO.

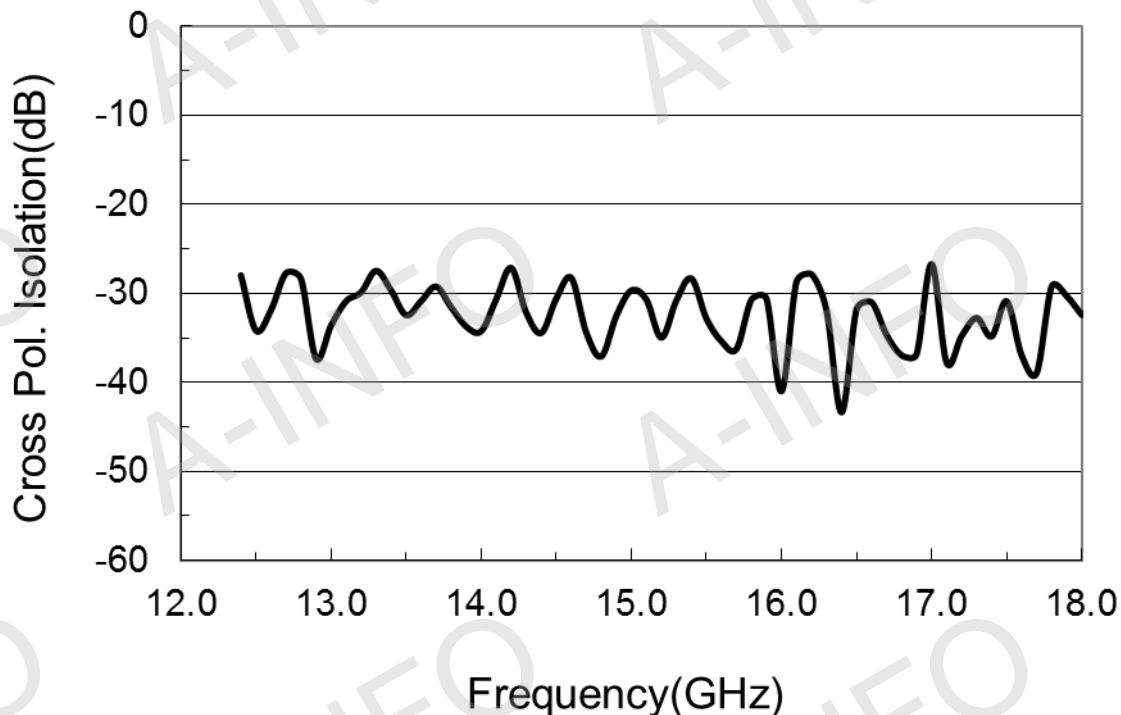


## Test Results

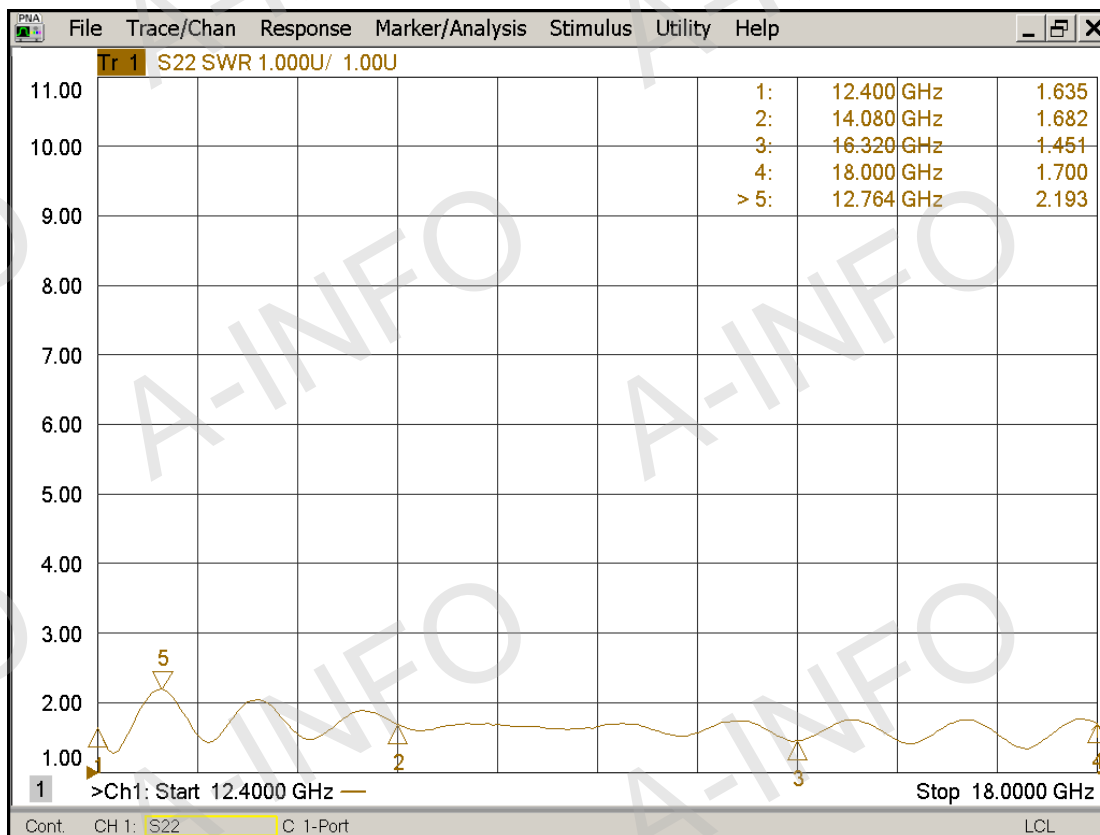
### 1. Gain & Antenna Factor



## 2. Cross Polarization Isolation



## 3. VSWR



## 4. Pattern

