

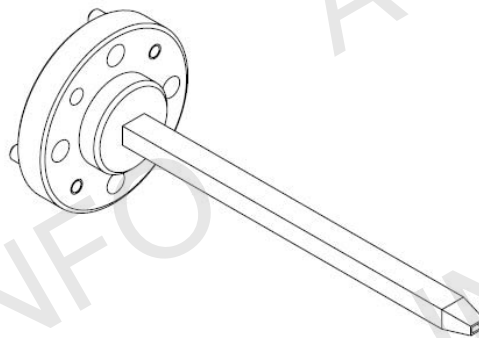
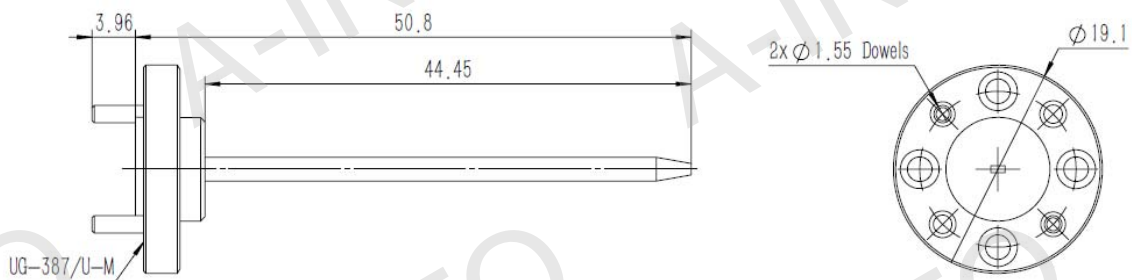
Technical Specification



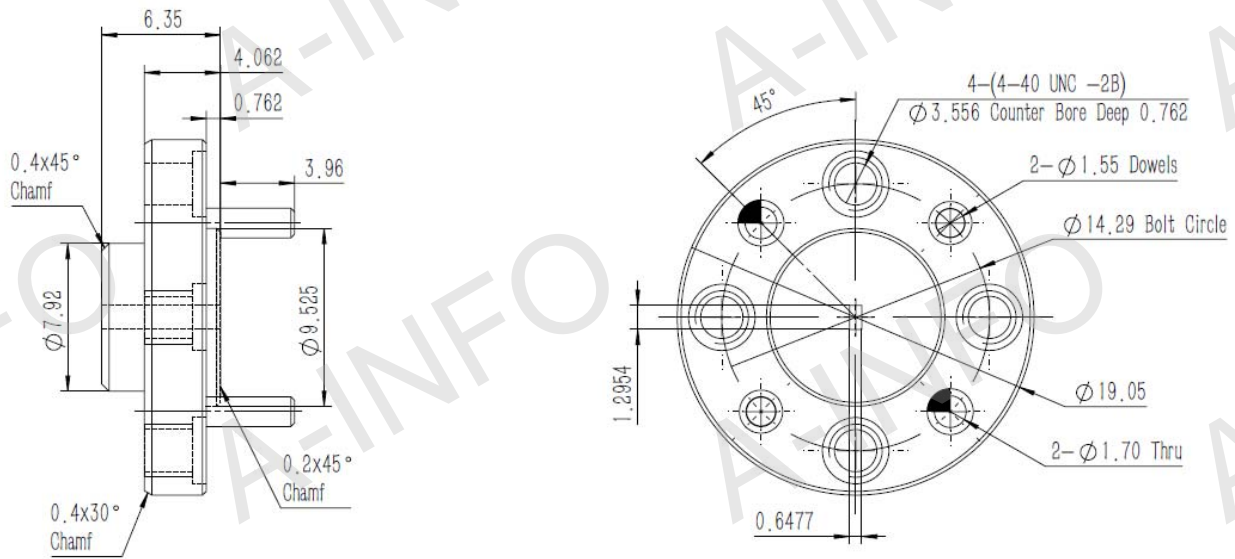
Frequency Range(GHz)	140.0 - 220.0
Waveguide	WR5
Gain(dBi)	6 Typ.
Polarization	Linear
3dB Beamwidth(deg)	E Plane: 83 Typ.
	H Plane: 60 Typ.
Cross Pol. Isolation(dB)	30 Typ.
VSWR	1.5:1 Typ.
Output	UG-387/U-M
Material	Cu
Size(mm)	19.1 x 19.1 x 50.8
Net Weight(Kg)	0.05 Around

Outline Drawing (Size: mm)

With UG-387/U-M Output



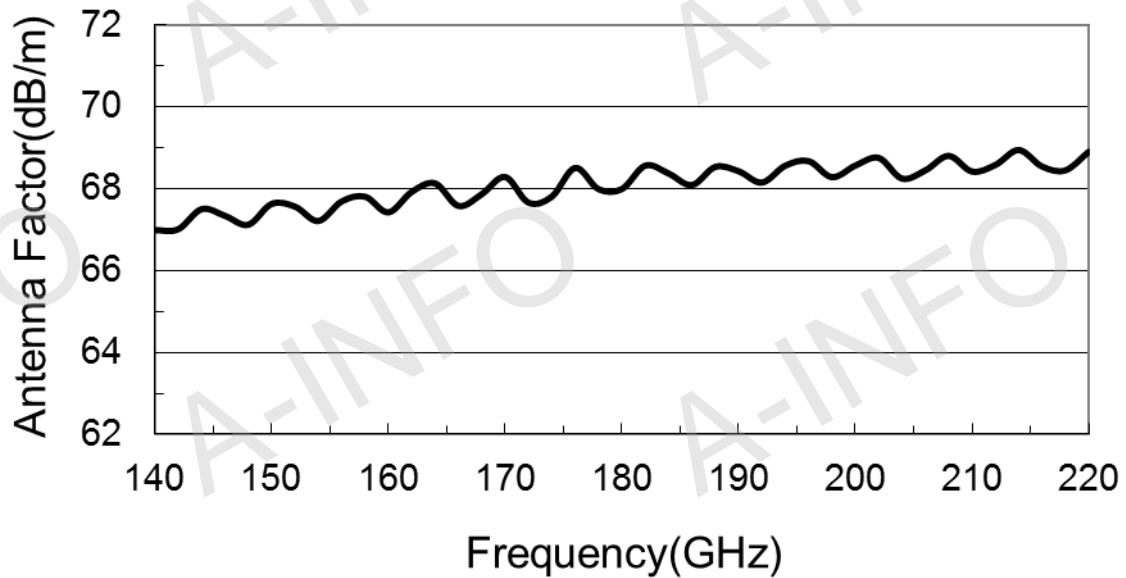
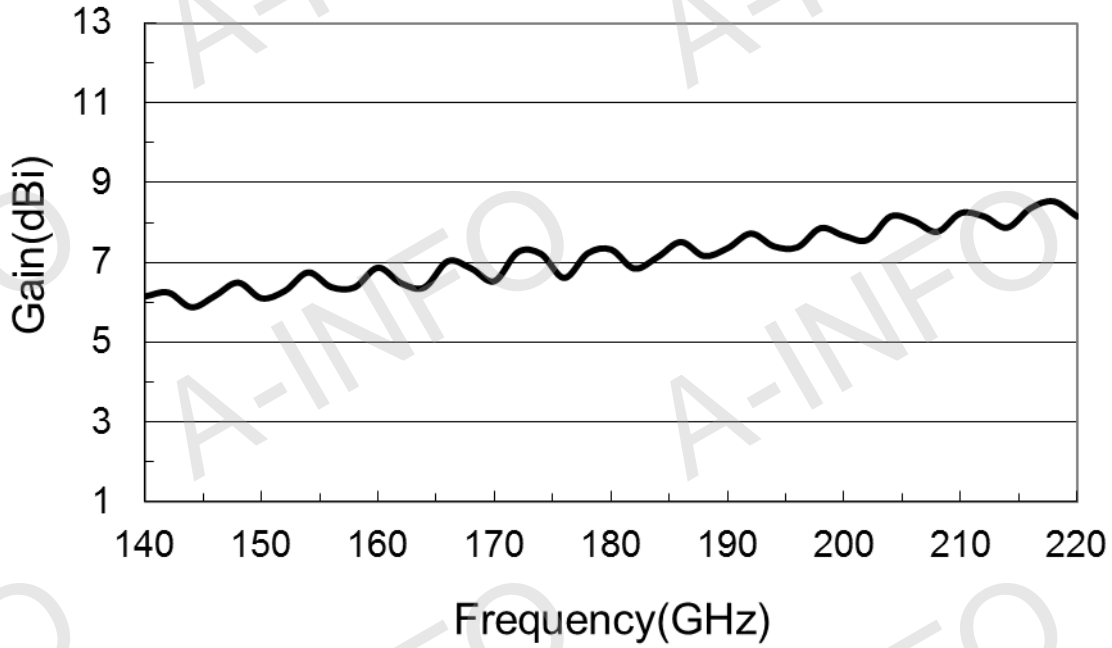
Flange Drawing (Size: mm)



UG-387/U-M

Test Results

1. Gain & Antenna Factor



2. Pattern

