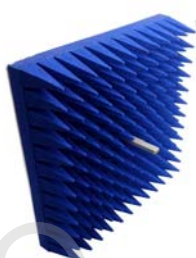


Technical Specification

51EWGES



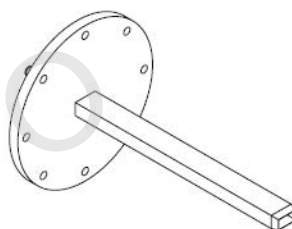
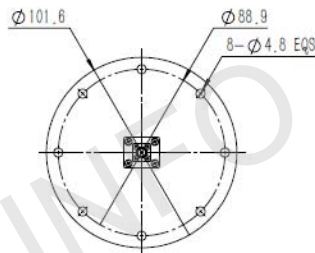
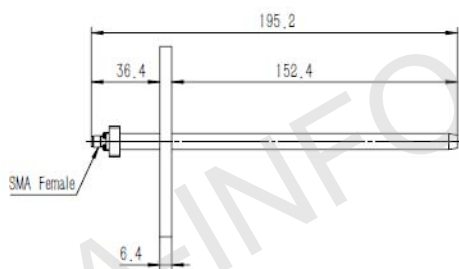
51EWGES-A1



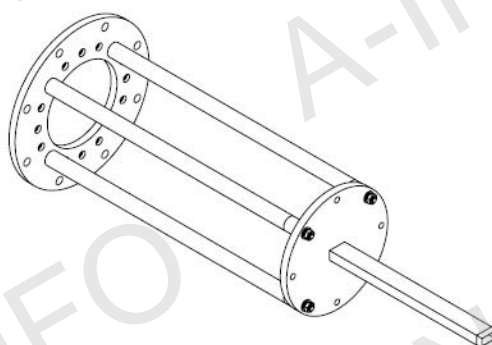
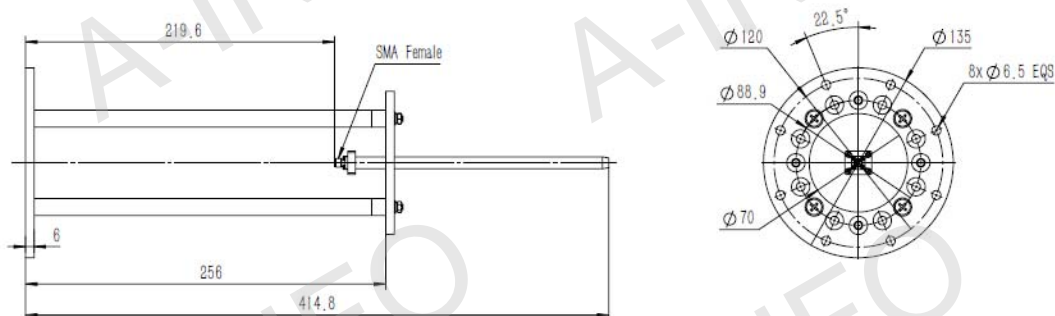
Frequency Range(GHz)	15.0 - 22.0	
Waveguide	WR51	
Gain(dBi)	5 Typ.	
Polarization	Linear	
3dB Beamwidth(deg)	E Plane:	90 Typ.
	H Plane:	60 Typ.
Cross Pol. Isolation(dB)	35 Typ.	
VSWR	2.0:1 Typ.	
Output	Endlaunch SMA-Female	
Material	Cu	
Size(mm)	51EWGES:	101.6 x 101.6 x 195.2
	51EWGES-A1:	399.6 x 399.6 x 195.2
Net Weight(Kg)	51EWGES:	0.5 Around
	51EWGES-A1:	2.75 Around

Outline Drawing (Size: mm)

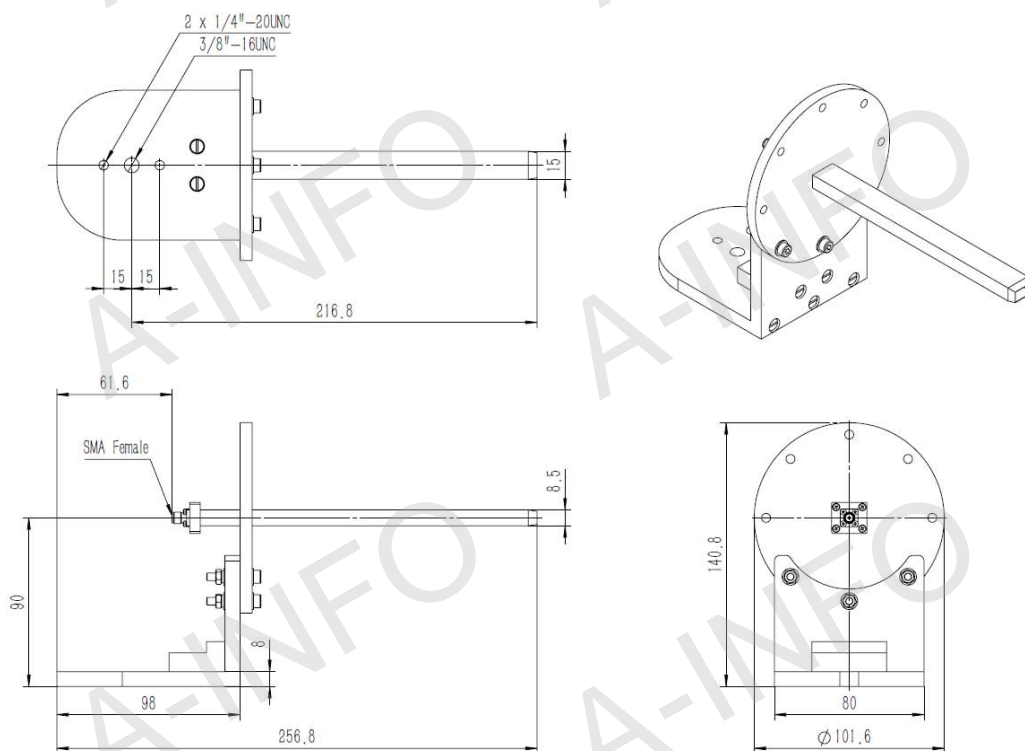
51EWGES (With Endlaunch SMA-Female Output)



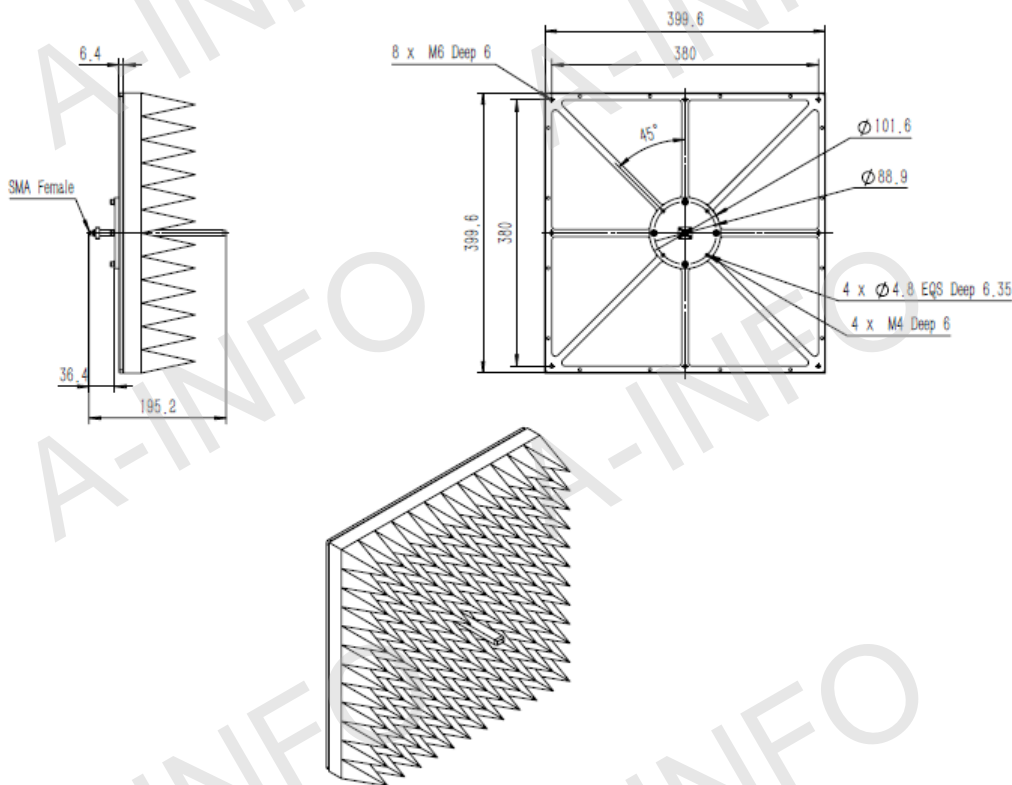
51EWGES (With Endlaunch SMA-Female Output & Round Mounting Bracket)



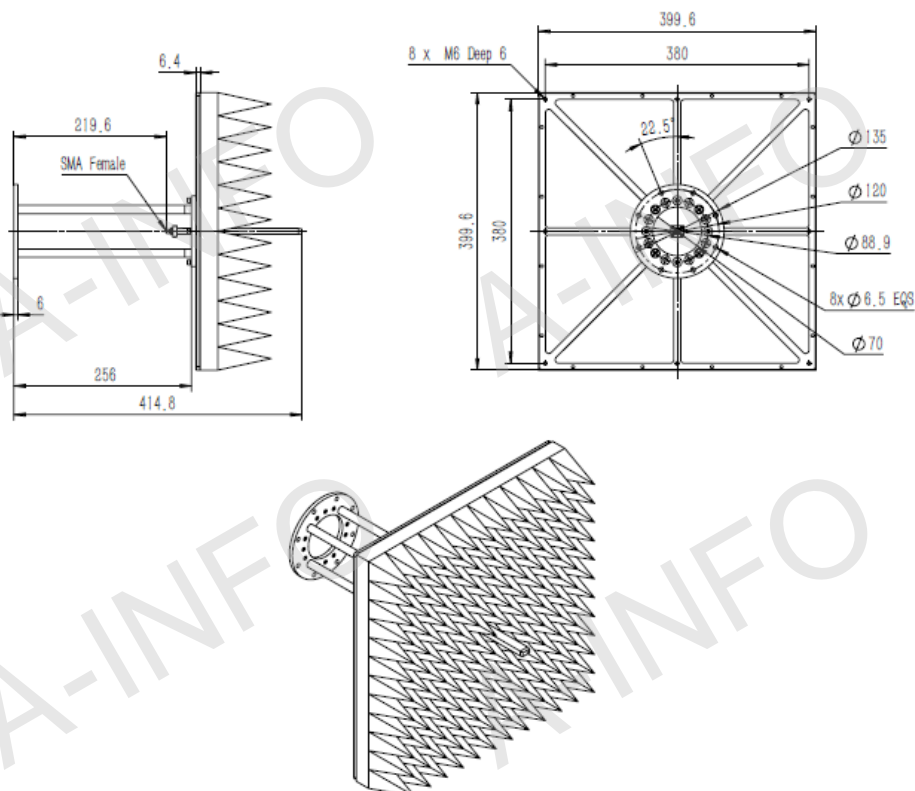
51EWGES (With Endlaunch SMA-Female Output & L Type Mounting Bracket)



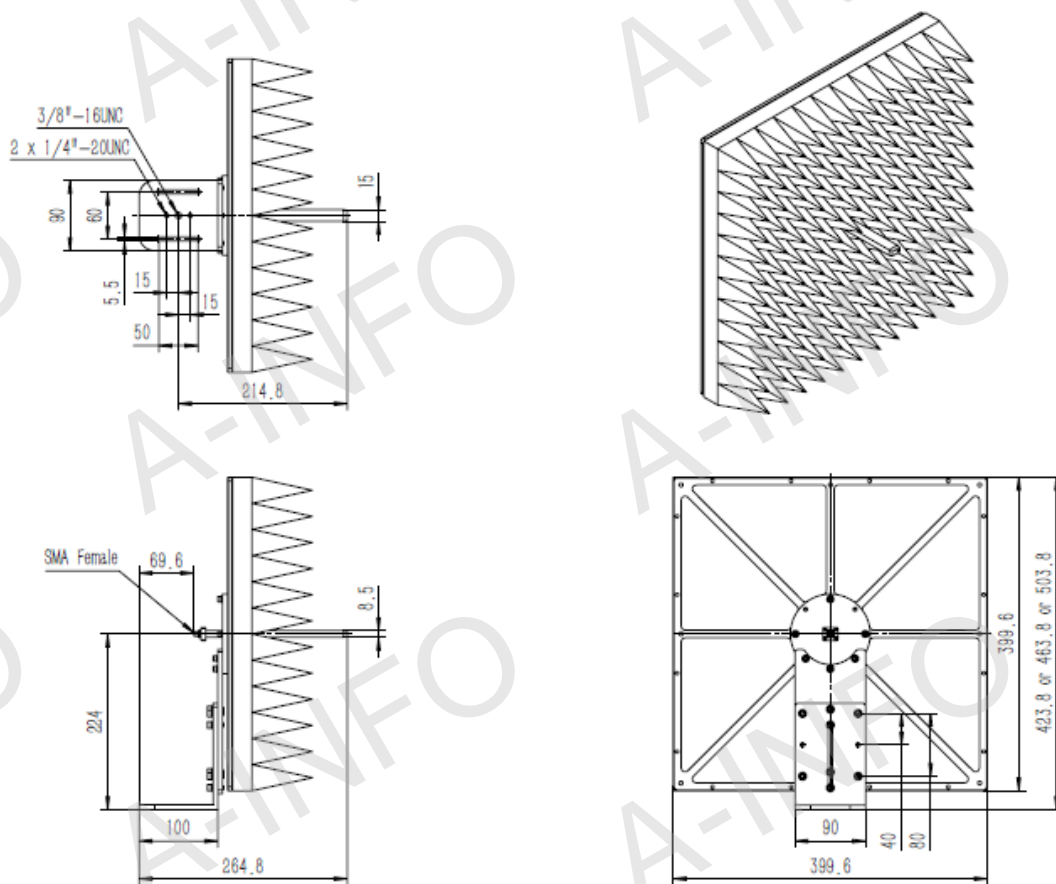
51EWGES-A1 (With Endlaunch SMA-Female Output, Equipped with Absorber)



51EWGES-A1 (With Endlaunch SMA-Female Output & Round Mounting Bracket, Equipped with Absorber)

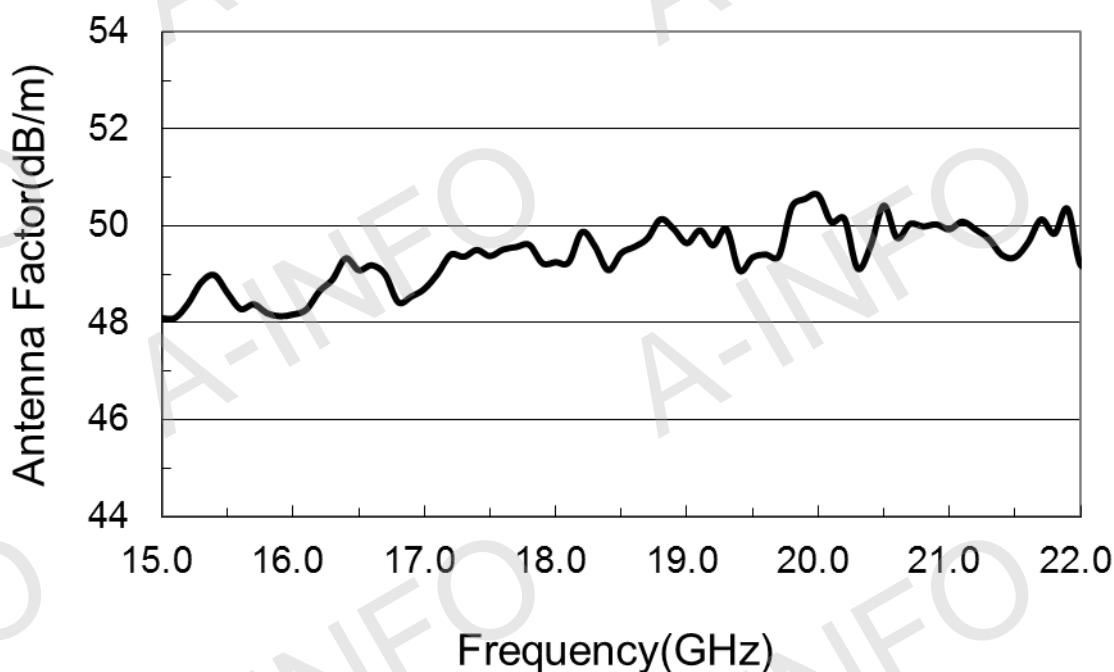
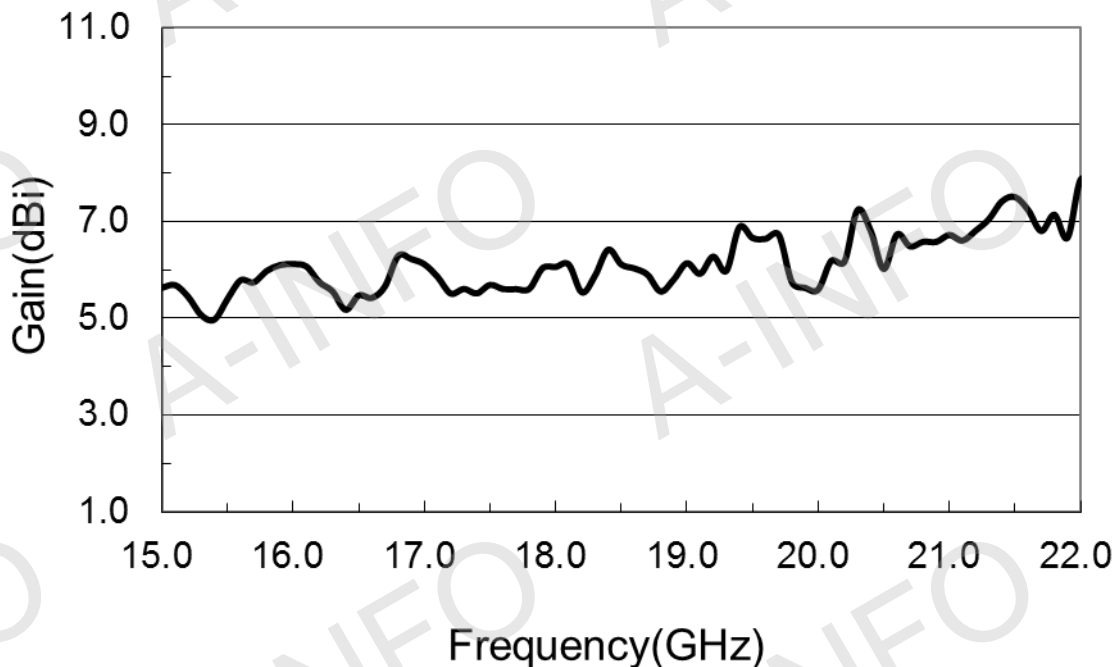


51EWGES-A1 (With Endlaunch SMA-Female Output & L Type Mounting Bracket, Equipped with Absorber)

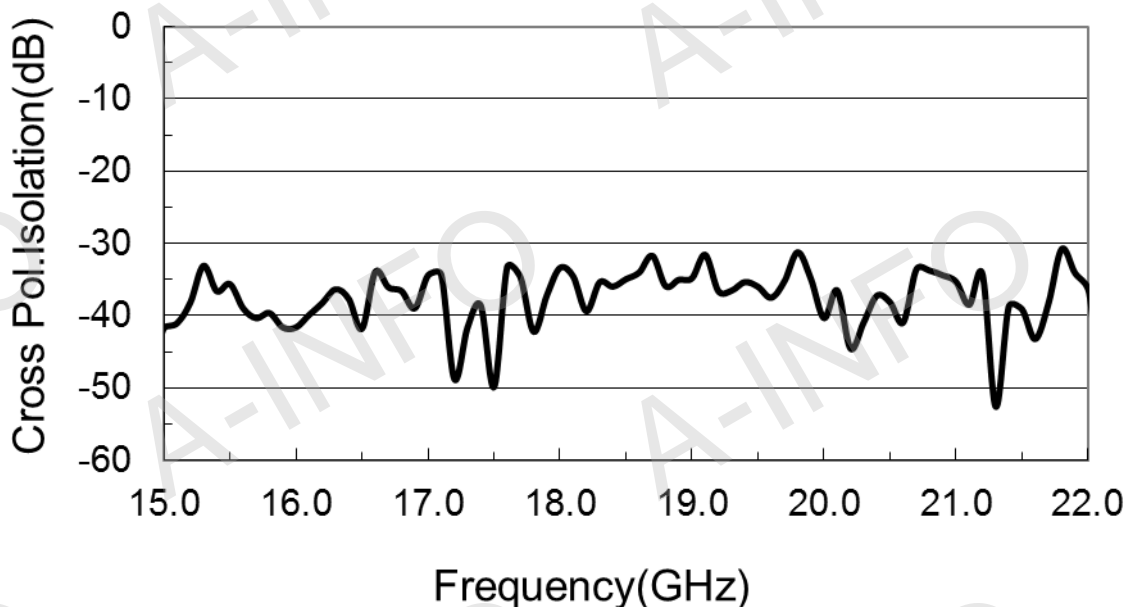


Test Results

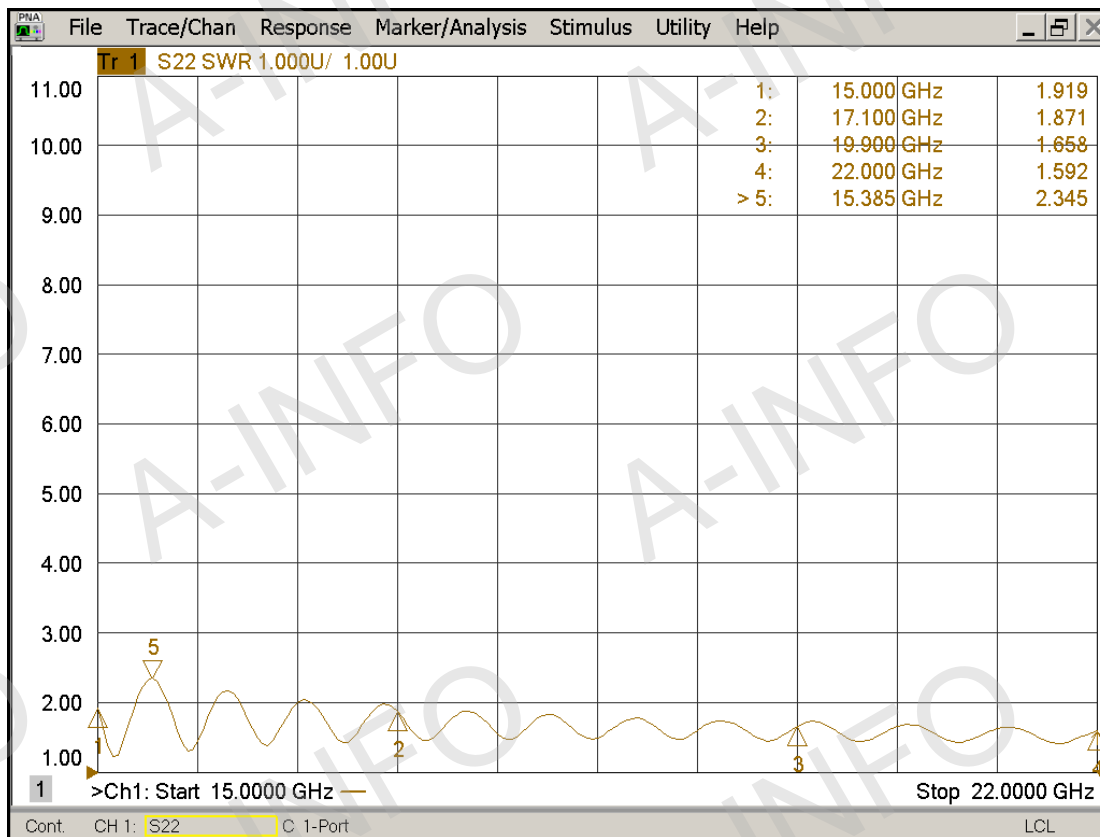
1. Gain & Antenna Factor



2. Cross Polarization Isolation



3. VSWR



4. Pattern

