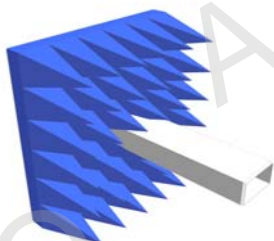


Technical Specification

510EWGN



510EWGN-A1

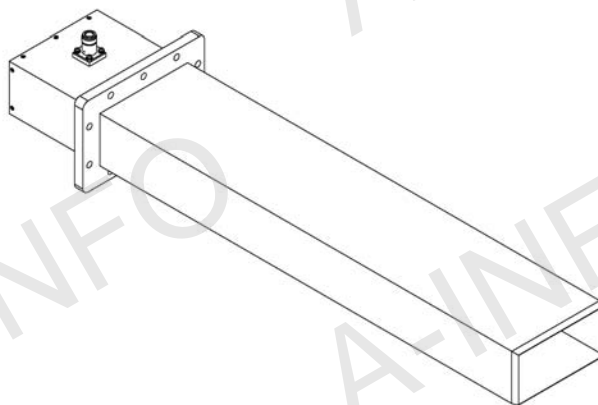


Frequency Range(GHz)	1.45 - 2.20	
Waveguide	WR510	
Gain(dBi)	5 Typ.	
Polarization	Linear	
3dB Beamwidth(deg)	E Plane:	92 Typ.
	H Plane:	63 Typ.
Cross Pol. Isolation(dB)	30 Typ.	
VSWR	2.0:1 Typ.	
Output	N-Female or SMA-Female or 7/16-Female	
Material	Al	
Size(mm)	510EWGx:	185 x 123.4 x 772.7
	510EWGx-A1:	600 x 600 x 772.7
Net Weight(Kg)	510EWGx:	2.18 Around
	510EWGx-A1:	8.59 Around

Outline Drawing (Size: mm)

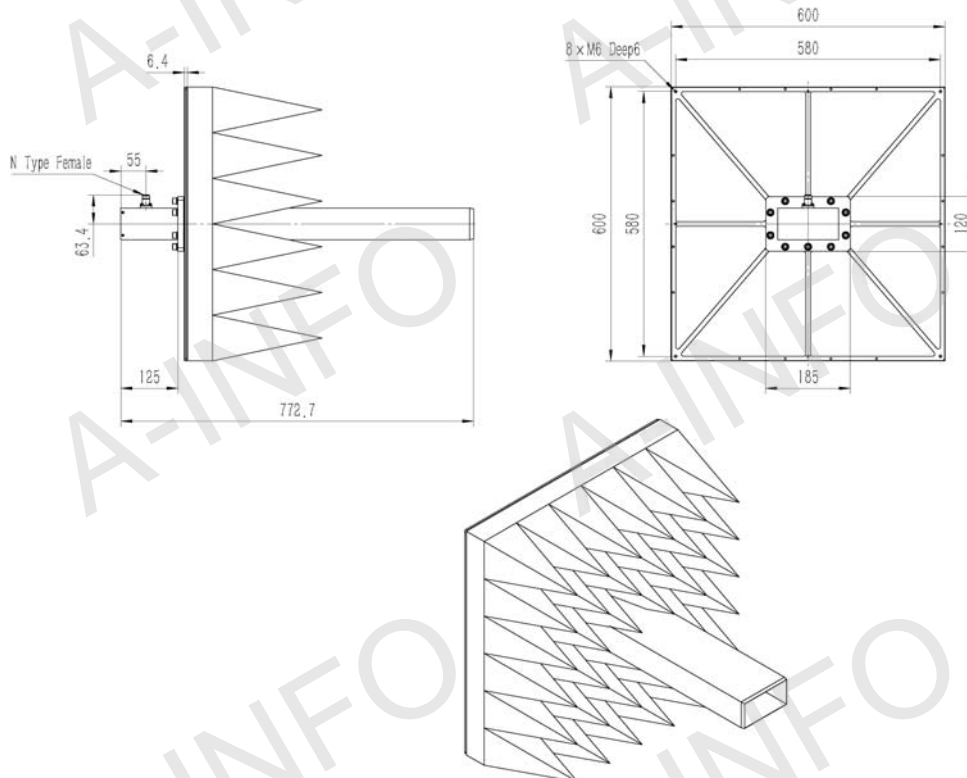
N-Female Output (P/N: 510EWGN)

For SMA-Female or 7/16-Female output outline drawing, please contact A-INFO.



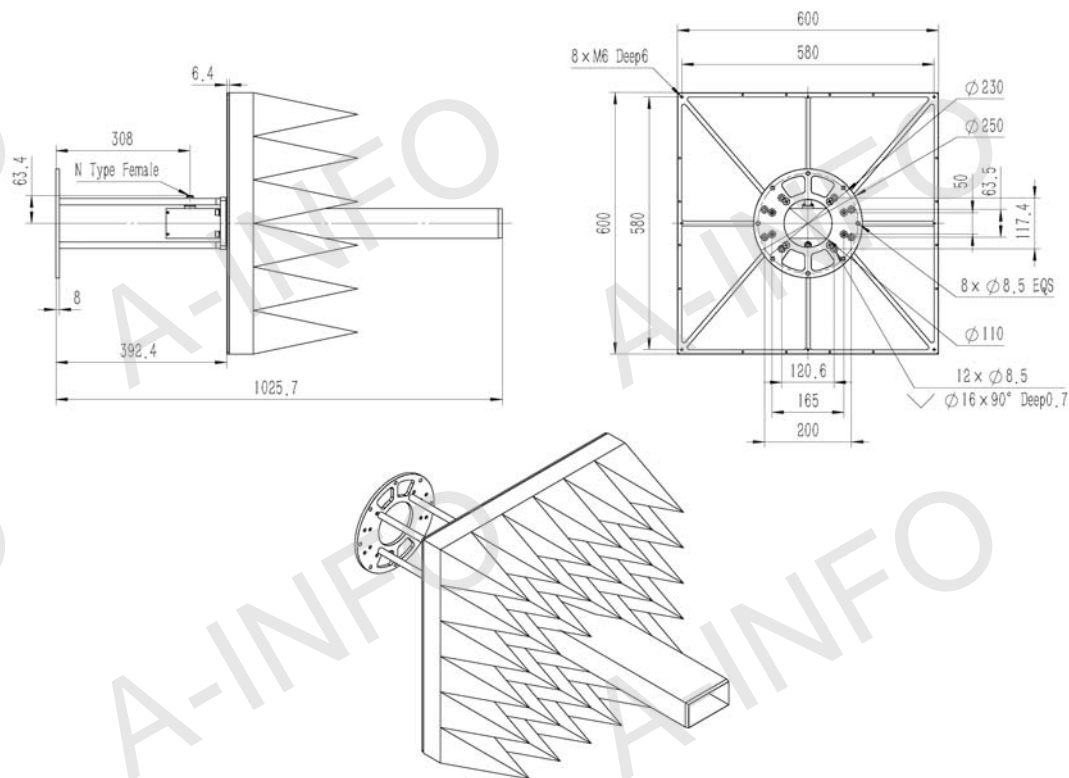
N-Female Output, Equipped with Absorber (Option, P/N: 510EWGN-A1)

For SMA-Female or 7/16-Female output outline drawing, please contact A-INFO.



N-Female Output with Round Mounting Bracket & Equipped with Absorber (Option, P/N: EWG-MB60 & 510EWGN-A1)

For SMA-Female or 7/16-Female output outline drawing, please contact A-INFO.



Test Results

VSWR

