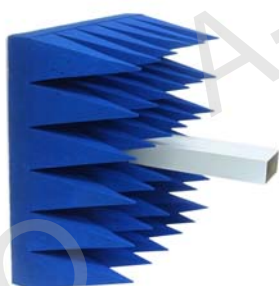


Technical Specification



430EWGN-A1

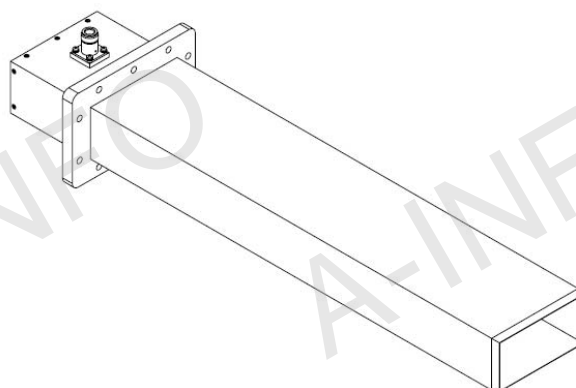
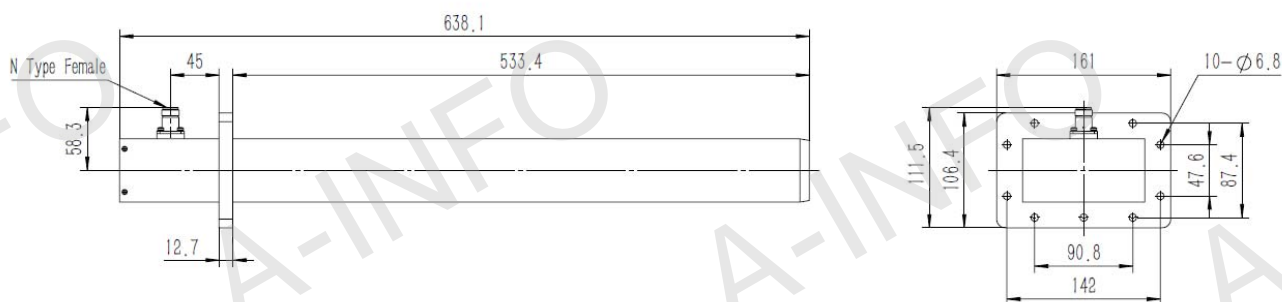


Frequency Range(GHz)	1.7 - 2.6	
Waveguide	WR430	
Gain(dBi)	5 Typ.	
Polarization	Linear	
3dB Beamwidth(deg)	E Plane:	98 Typ.
	H Plane:	67 Typ.
Cross Pol. Isolation(dB)	30 Typ.	
VSWR	2.0:1 Typ.	
Output	N-Female or SMA-Female or 7/16-Female	
Material	Al	
Size(mm)	430EWGx:	161 x 111.5 x 638.1
	430EWGx-A1:	600 x 600 x 638.1
Net Weight(Kg)	430EWGx:	1.70 Around
	430EWGx-A1:	8.50 Around

Outline Drawing (Size: mm)

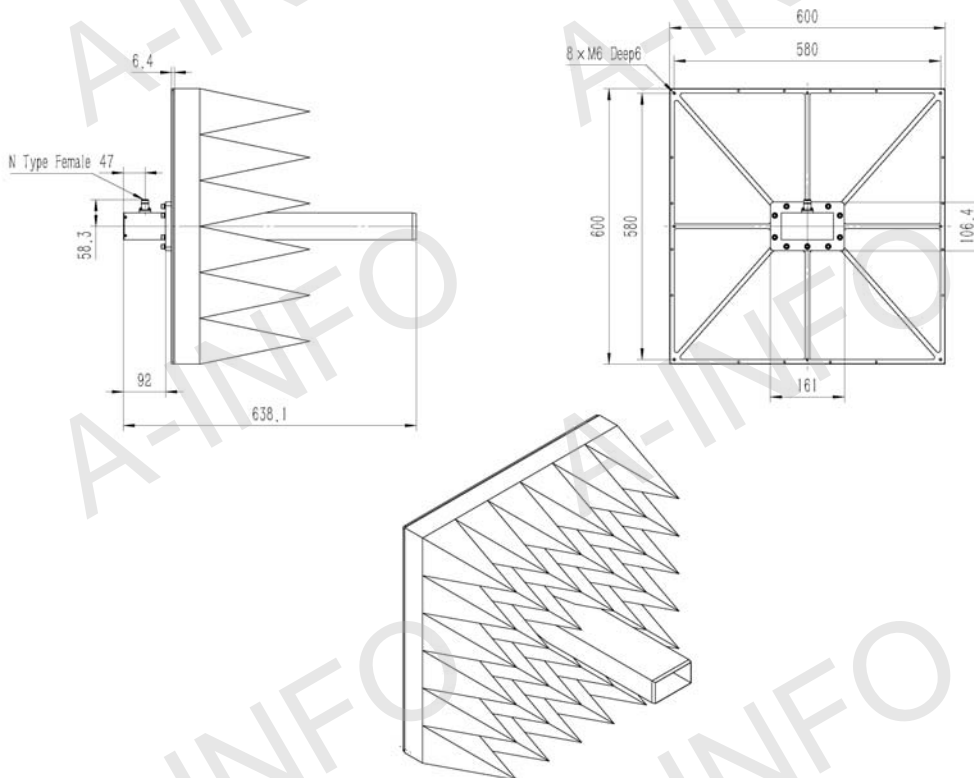
N-Female Output (P/N: 430EWGN)

For SMA-Female or 7/16-Female output outline drawing, please contact A-INFO.



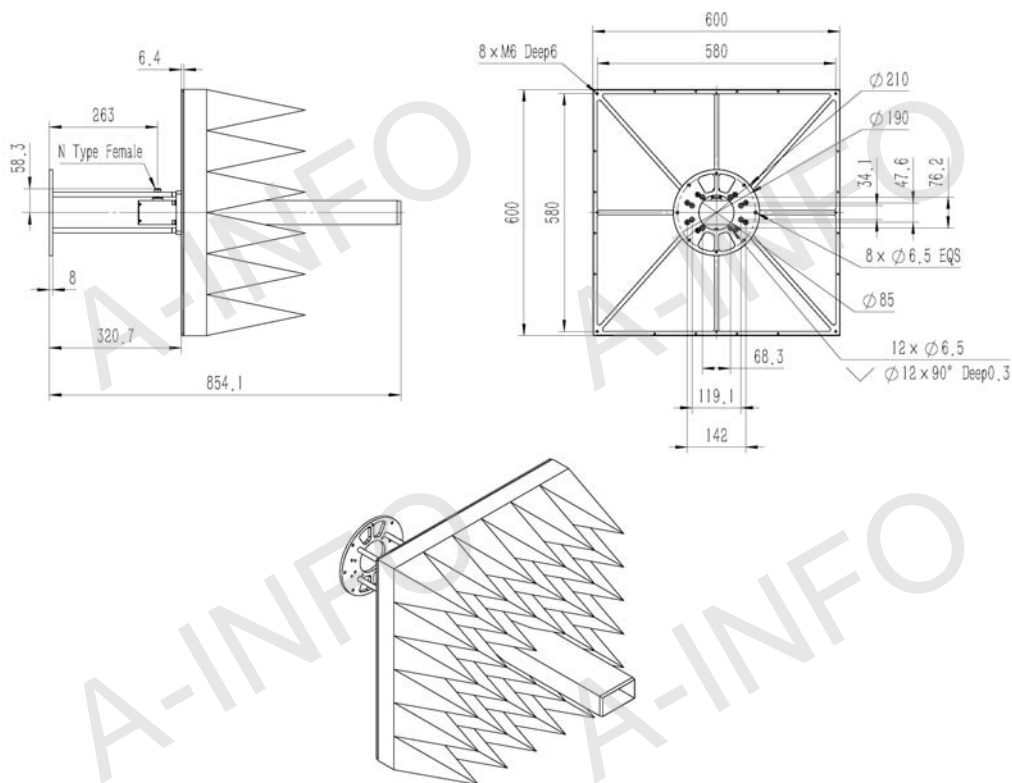
N-Female Output, Equipped with Absorber (Option, P/N: 430EWGN-A1)

For SMA-Female or 7/16-Female output outline drawing, please contact A-INFO.



N-Female Output with Round Mounting Bracket & Equipped with Absorber (Option, P/N: EWG-MB50 & 430EWGN-A1)

For SMA-Female or 7/16-Female output outline drawing, please contact A-INFO.



Test Results

VSWR

