

Technical Specification

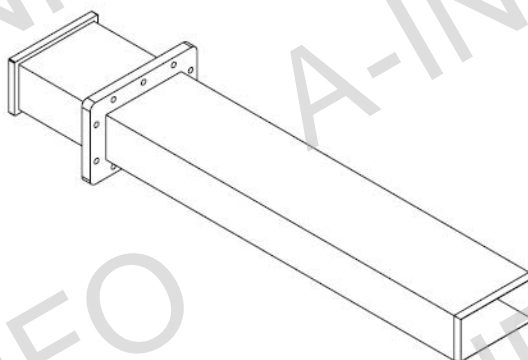
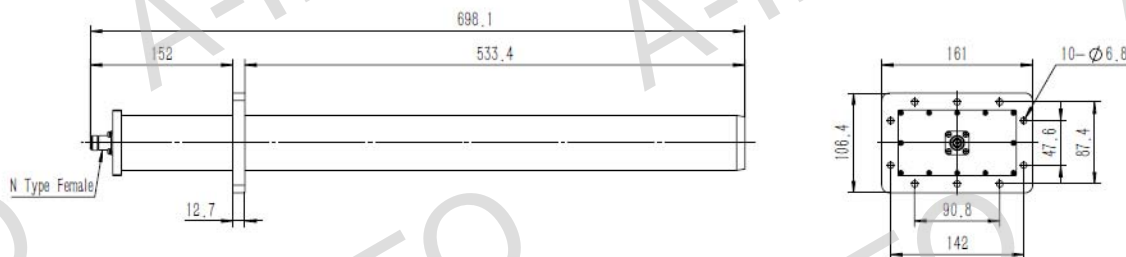


| | |
|--------------------------|---|
| Frequency Range(GHz) | 1.7 - 2.6 |
| Waveguide | WR430 |
| Gain(dBi) | 5 Typ. |
| Polarization | Linear |
| 3dB Beamwidth(deg) | E Plane: 98 Typ. |
| | H Plane: 67 Typ. |
| Cross Pol. Isolation(dB) | 30 Typ. |
| VSWR | 2.0:1 Typ. |
| Output | Endlaunch N-Female or Endlaunch SMA-Female |
| Material | Al |
| Size(mm) | 161 x 106.4 x 698.1 |
| Net Weight(Kg) | 1.9 Around |

Outline Drawing (Size: mm)

430EWGEN (With Endlaunch N-Female Output)

For Endlaunch SMA-Female output outline drawing, please contact A-INFO.



Test Results

VSWR

