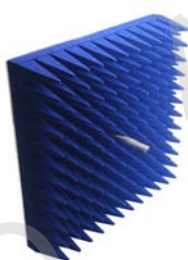


## Technical Specification

42EWGS



42EWGS-A1

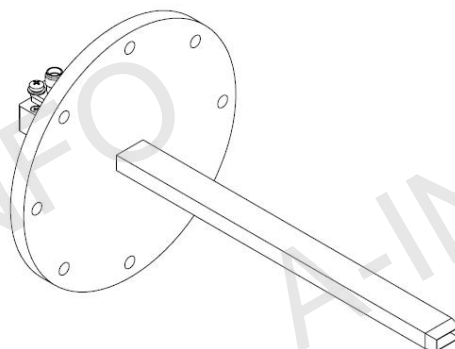
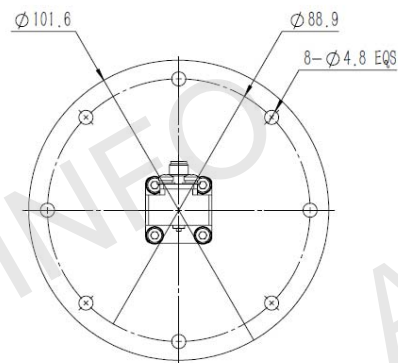
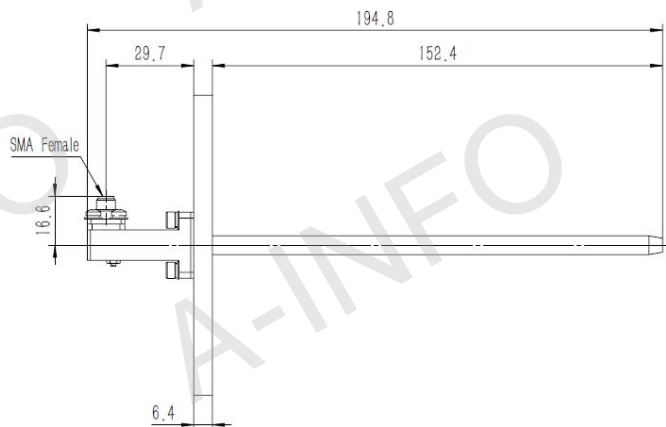


|                          |                                  |
|--------------------------|----------------------------------|
| Frequency Range(GHz)     | 18.0 - 26.5                      |
| Waveguide                | WR42                             |
| Gain(dBi)                | 5 Typ.                           |
| Polarization             | Linear                           |
| 3dB Beamwidth(deg)       | E Plane: 106 Typ.                |
|                          | H Plane: 56 Typ.                 |
| Cross Pol. Isolation(dB) | 35 Typ.                          |
| VSWR                     | 2.0:1 Typ.                       |
| Output                   | SMA-Female                       |
|                          | or 2.92mm-Female                 |
|                          | or 3.5mm-Female                  |
| Material                 | Cu                               |
| Size(mm)                 | 42EWGx: 101.6 x 101.6 x 194.8    |
|                          | 42EWGx-A1: 399.6 x 399.6 x 194.8 |
| Net Weight(Kg)           | 42EWGx: 0.55 Around              |
|                          | 42EWGx-A1: 2.8 Around            |

## Outline Drawing (Size: mm)

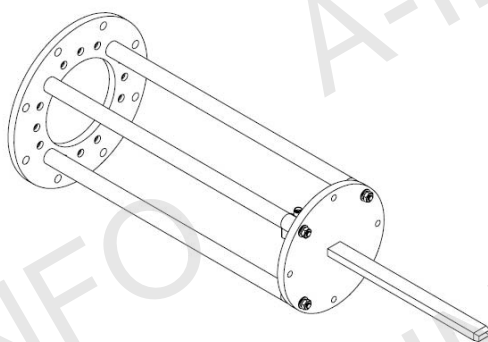
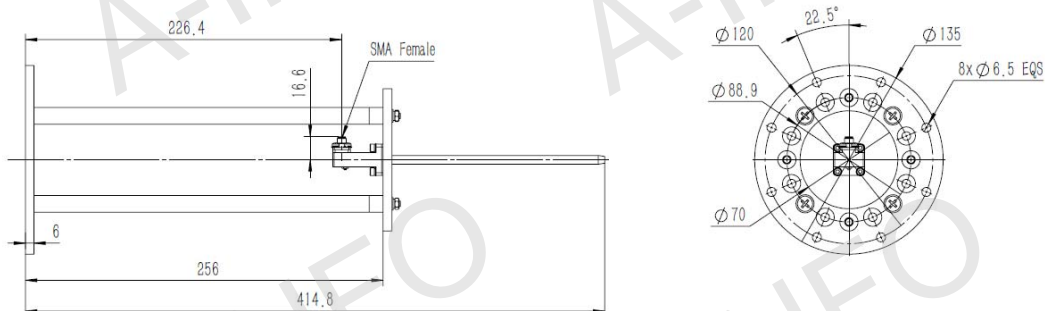
### 42EWGS (With SMA-Female Output)

For 2.92mm-Female & 3.5mm-Female output outline drawing, please contact A-INFO.



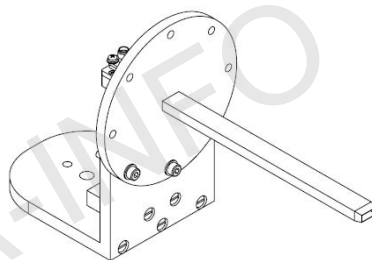
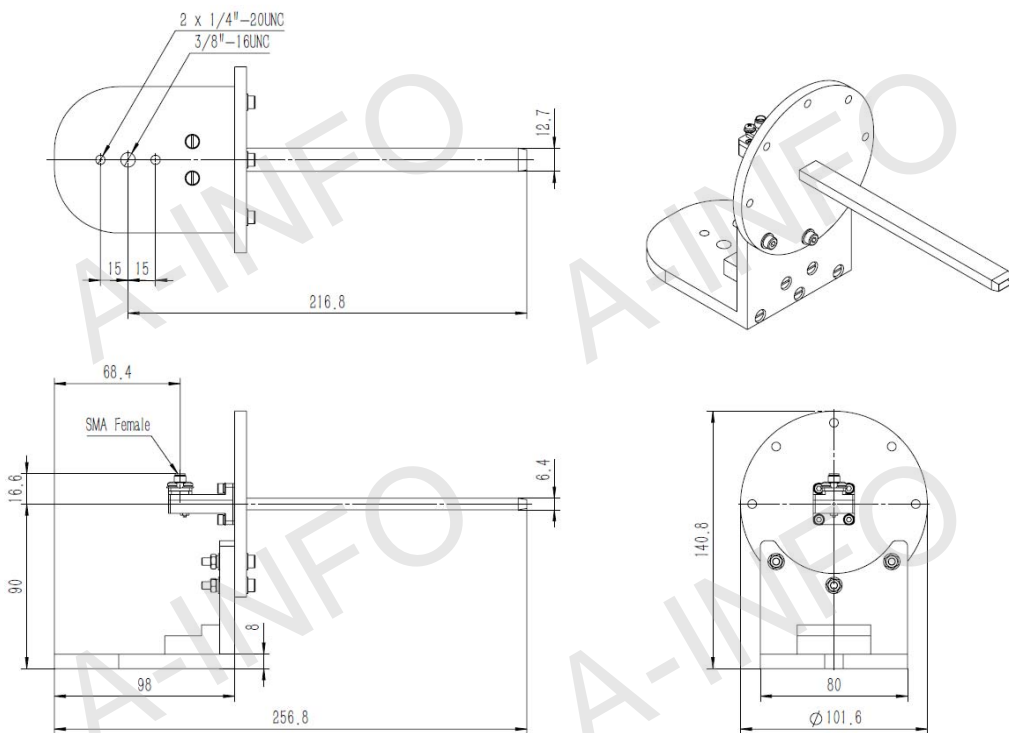
## 42EWGS (With SMA-Female Output & Round Mounting Bracket)

For 2.92mm-Female & 3.5mm-Female output outline drawing, please contact A-INFO.



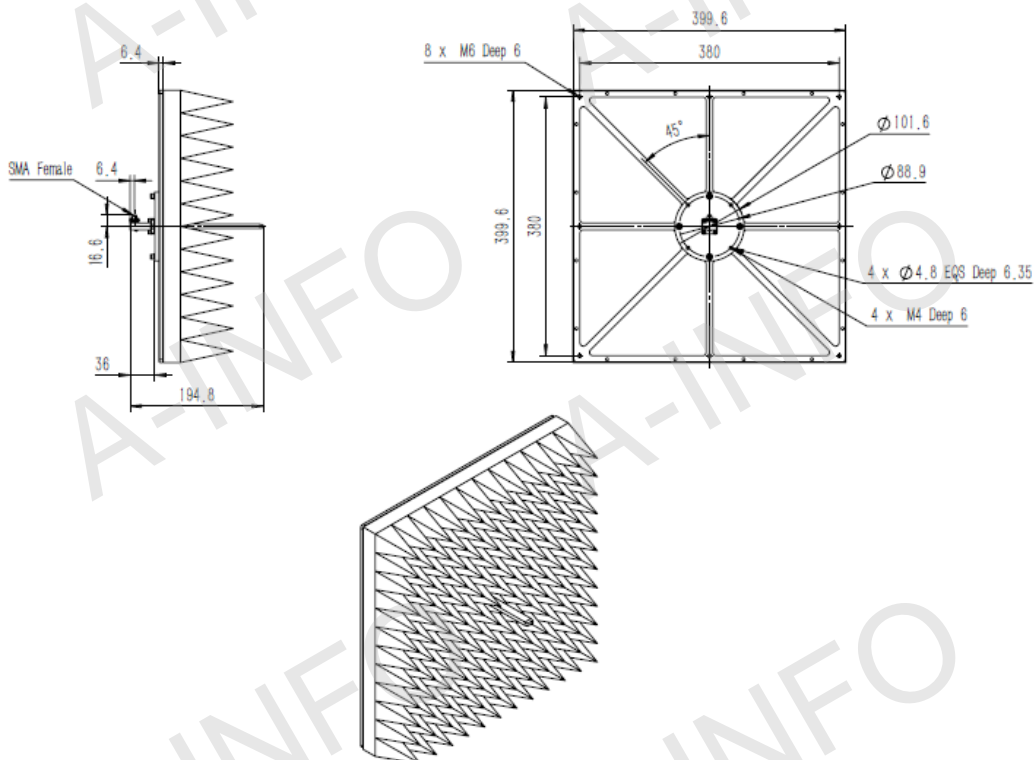
## 42EWGS (With SMA-Female Output & L Type Mounting Bracket)

For 2.92mm-Female & 3.5mm-Female output outline drawing, please contact A-INFO.



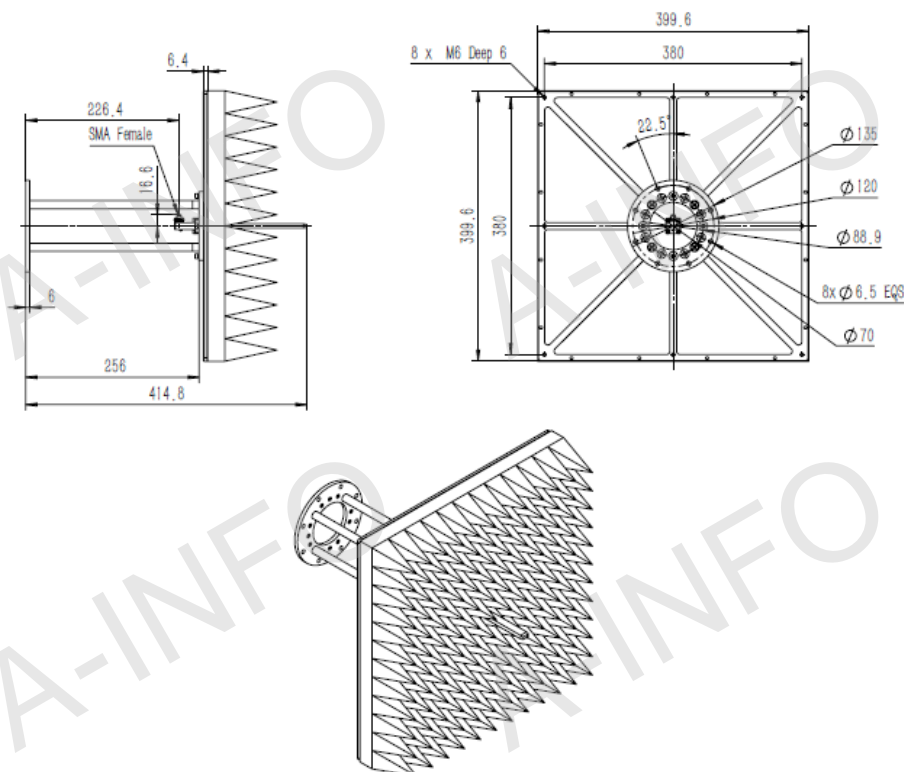
**42EWGS-A1 (With SMA-Female Output, Equipped with Absorber)**

For 2.92mm-Female & 3.5mm-Female output outline drawing, please contact A-INFO.



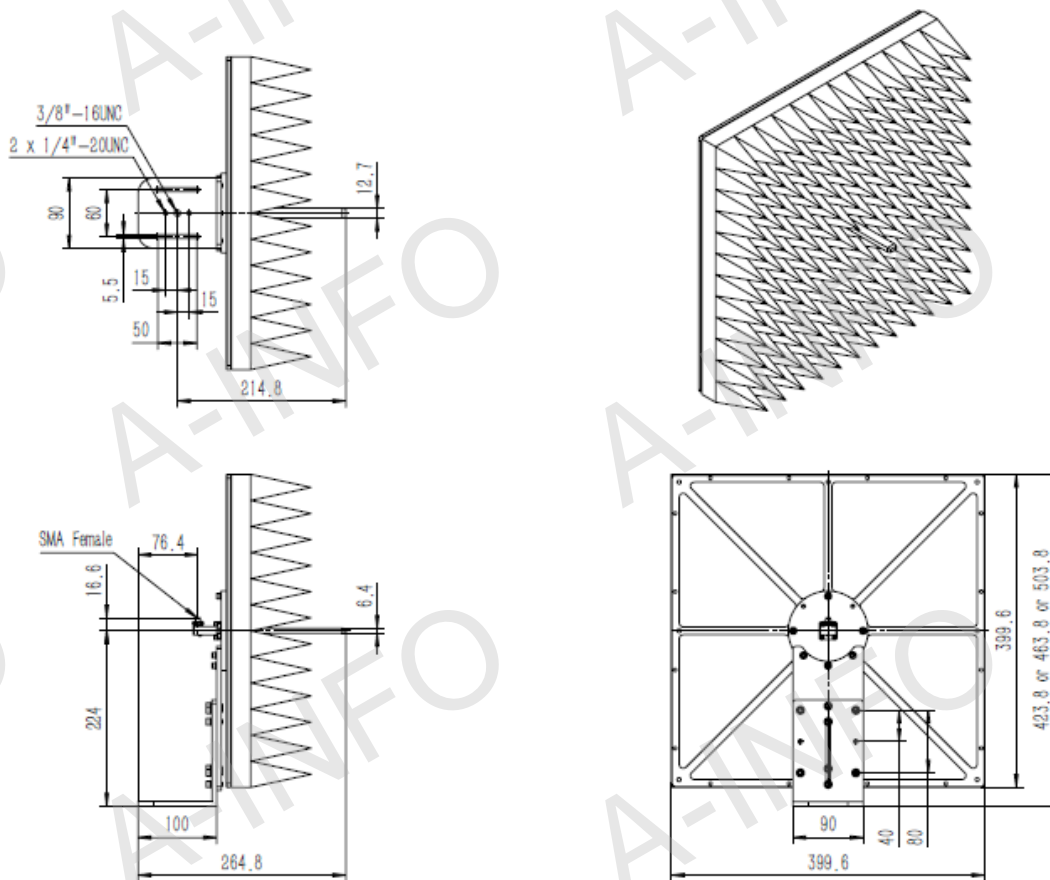
**42EWGS-A1 (With SMA-Female Output & Round Mounting Bracket, Equipped with Absorber)**

For 2.92mm-Female & 3.5mm-Female output outline drawing, please contact A-INFO.



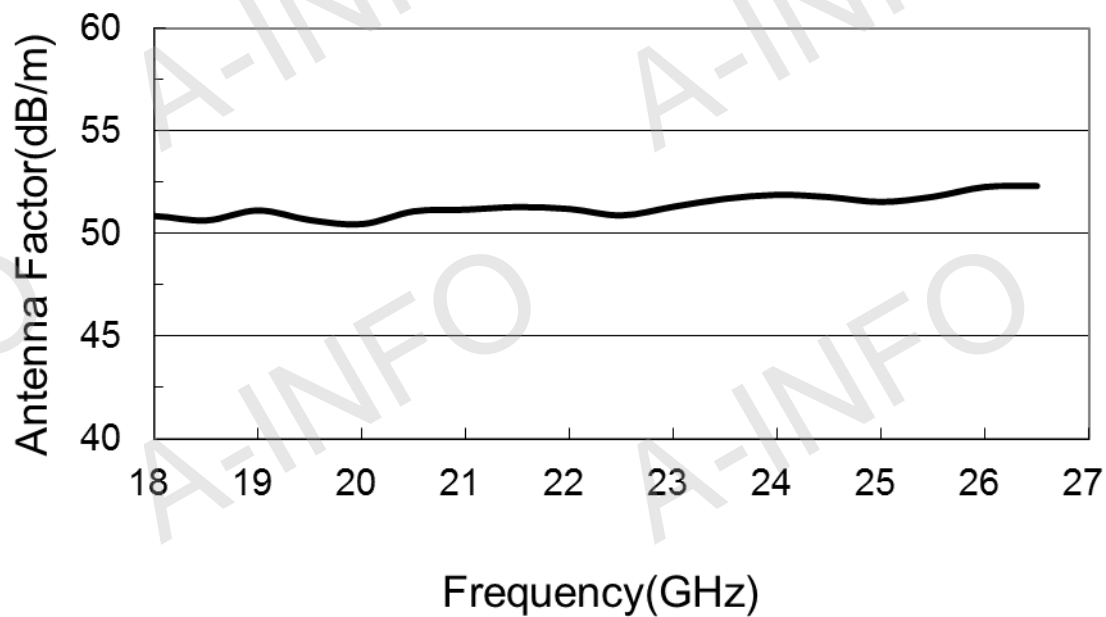
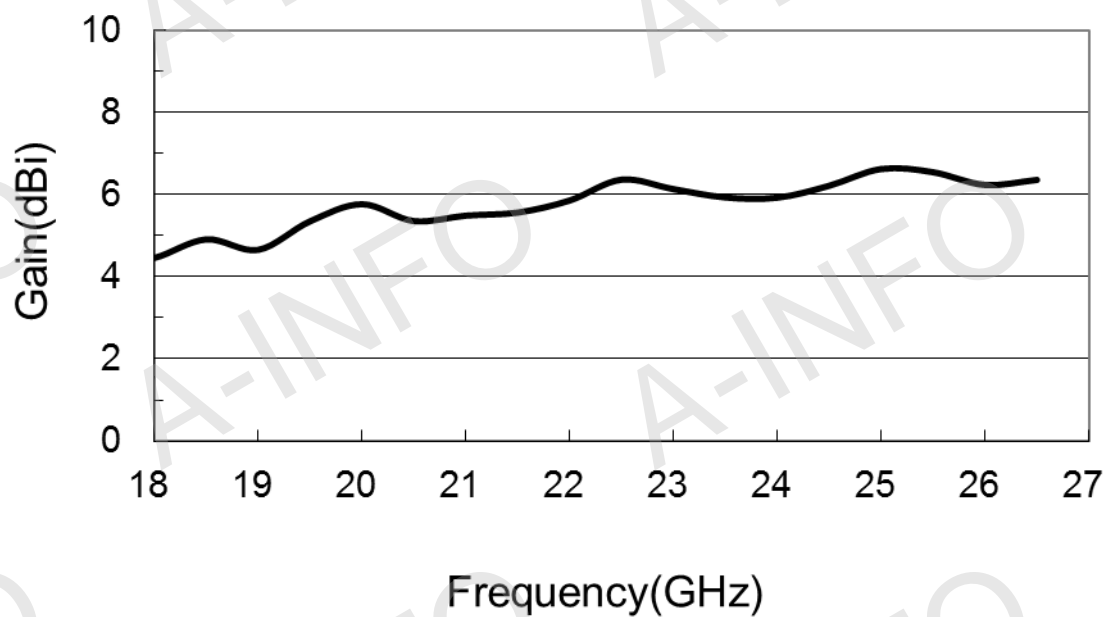
**42EWGS-A1 (With SMA-Female Output & L Type Mounting Bracket, Equipped with Absorber)**

For 2.92mm-Female & 3.5mm-Female output outline drawing, please contact A-INFO.

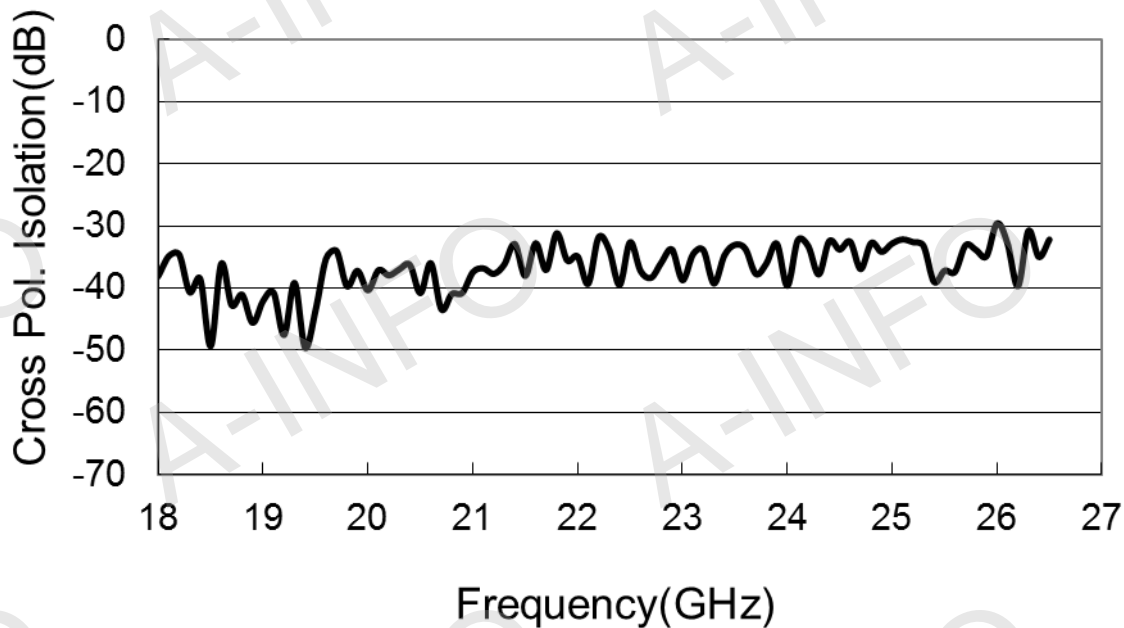


## Test Results

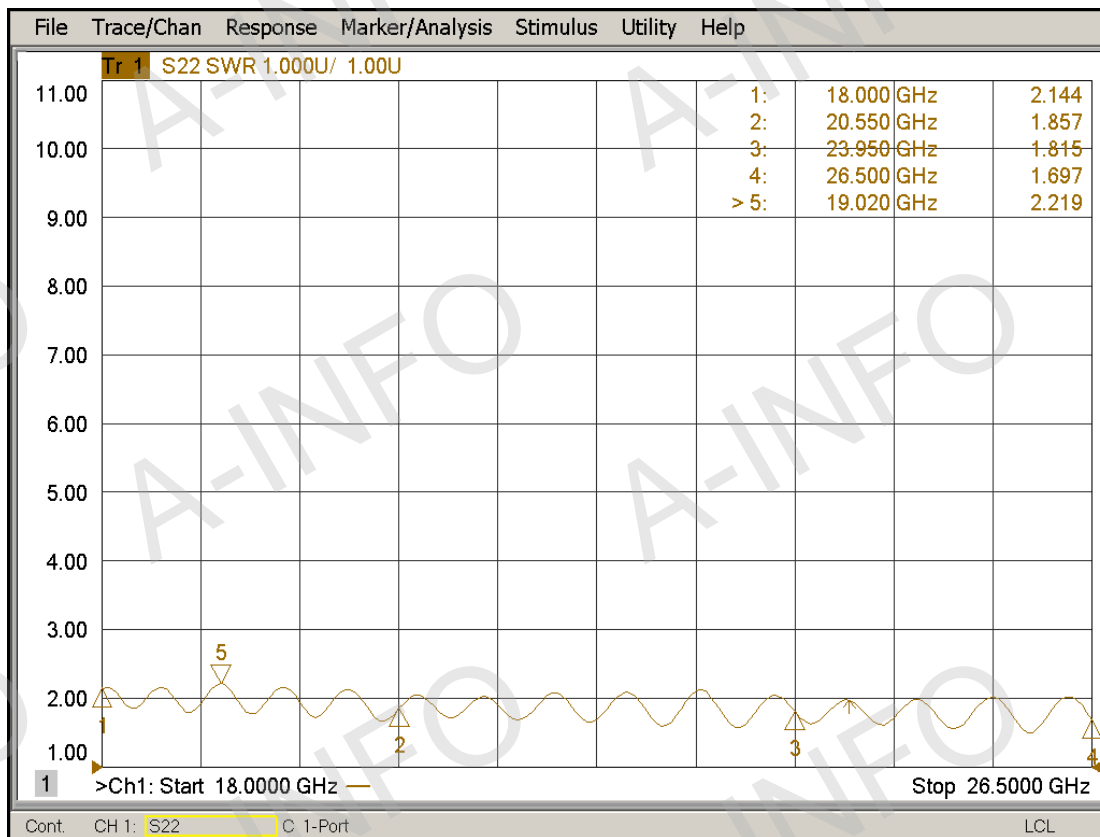
### 1. Gain & Antenna Factor



## 2. Cross Polarization Isolation



## 3. VSWR





## 4. Pattern

