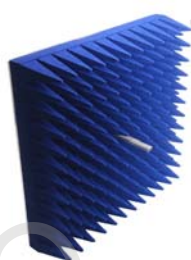


Technical Specification

42EWGES



42EWGES-A1

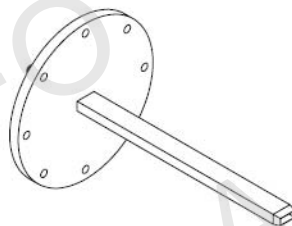
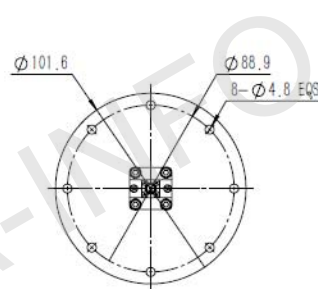
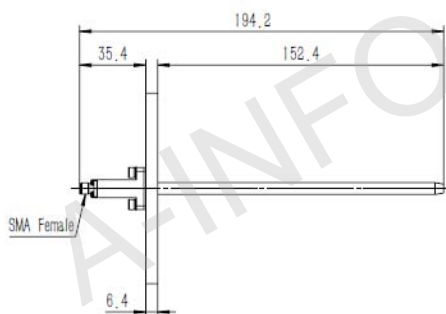


Frequency Range(GHz)	18.0 - 26.5
Waveguide	WR42
Gain(dBi)	5 Typ.
Polarization	Linear
3dB Beamwidth(deg)	E Plane: 106 Typ.
	H Plane: 56 Typ.
Cross Pol. Isolation(dB)	35 Typ.
VSWR	2.0:1 Typ.
Output	Endlaunch SMA-Female or Endlaunch 2.92mm-Female
Material	Cu
Size(mm)	42EWGEx: 101.6 x 101.6 x 194.2
	42EWGEx-A1: 399.6 x 399.6 x 194.2
Net Weight(Kg)	42EWGEx: 0.5 Around
	42EWGEx-A1: 2.75 Around

Outline Drawing (Size: mm)

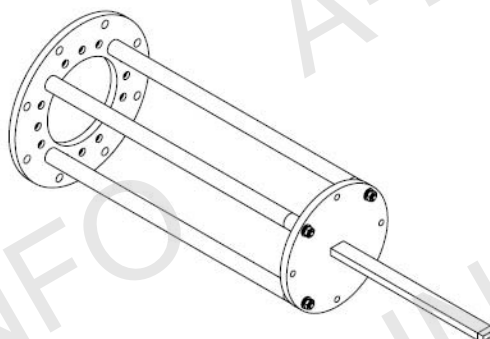
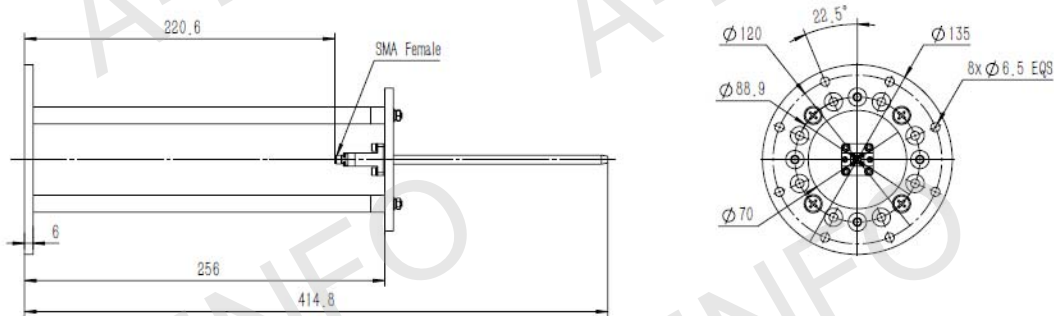
42EWGES (With Endlaunch SMA-Female Output)

For Endlaunch 2.92mm-Female output outline drawing, please contact A-INFO.



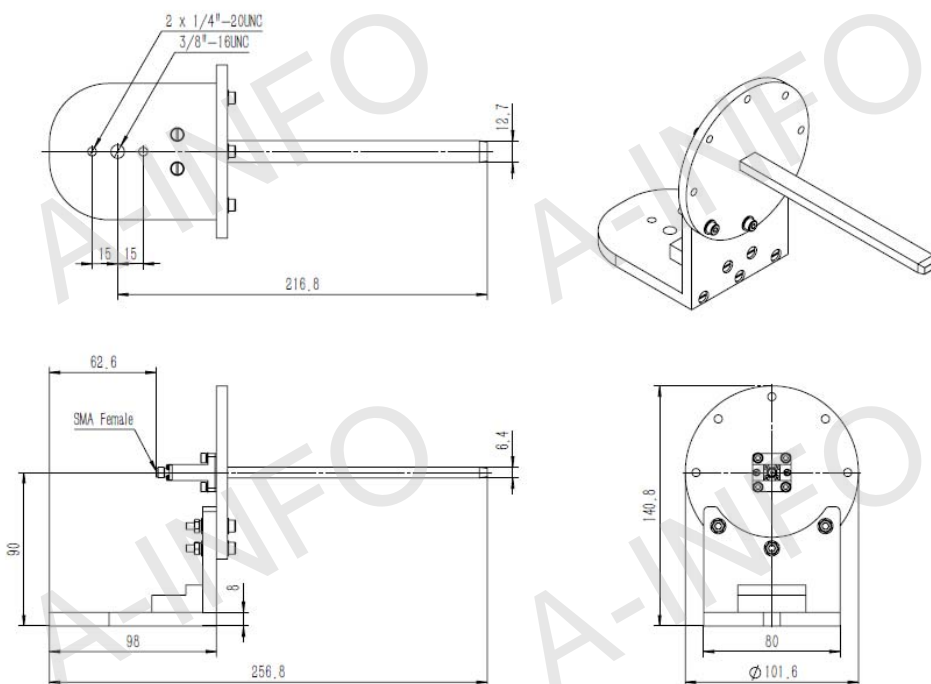
42EWGES (With Endlaunch SMA-Female Output & Round Mounting Bracket)

For Endlaunch 2.92mm-Female output outline drawing, please contact A-INFO.



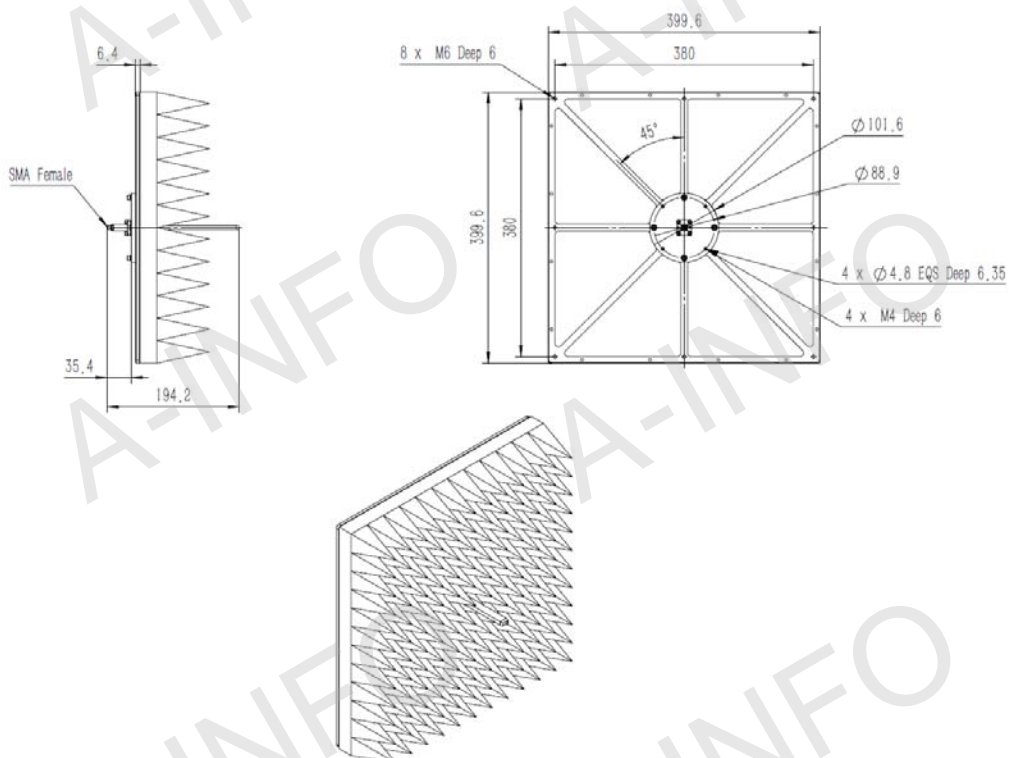
42EWGES (With Endlaunch SMA-Female Output & L Type Mounting Bracket)

For Endlaunch 2.92mm-Female output outline drawing, please contact A-INFO.



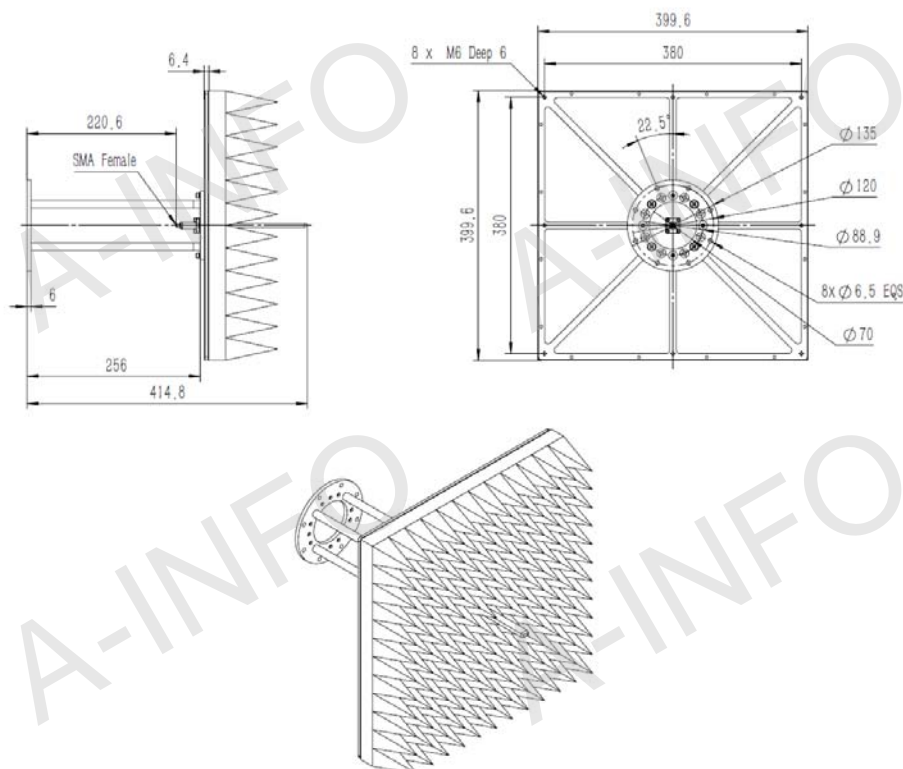
42EWGES-A1 (With Endlaunch SMA-Female Output, Equipped with Absorber)

For Endlaunch 2.92mm-Female output outline drawing, please contact A-INFO.



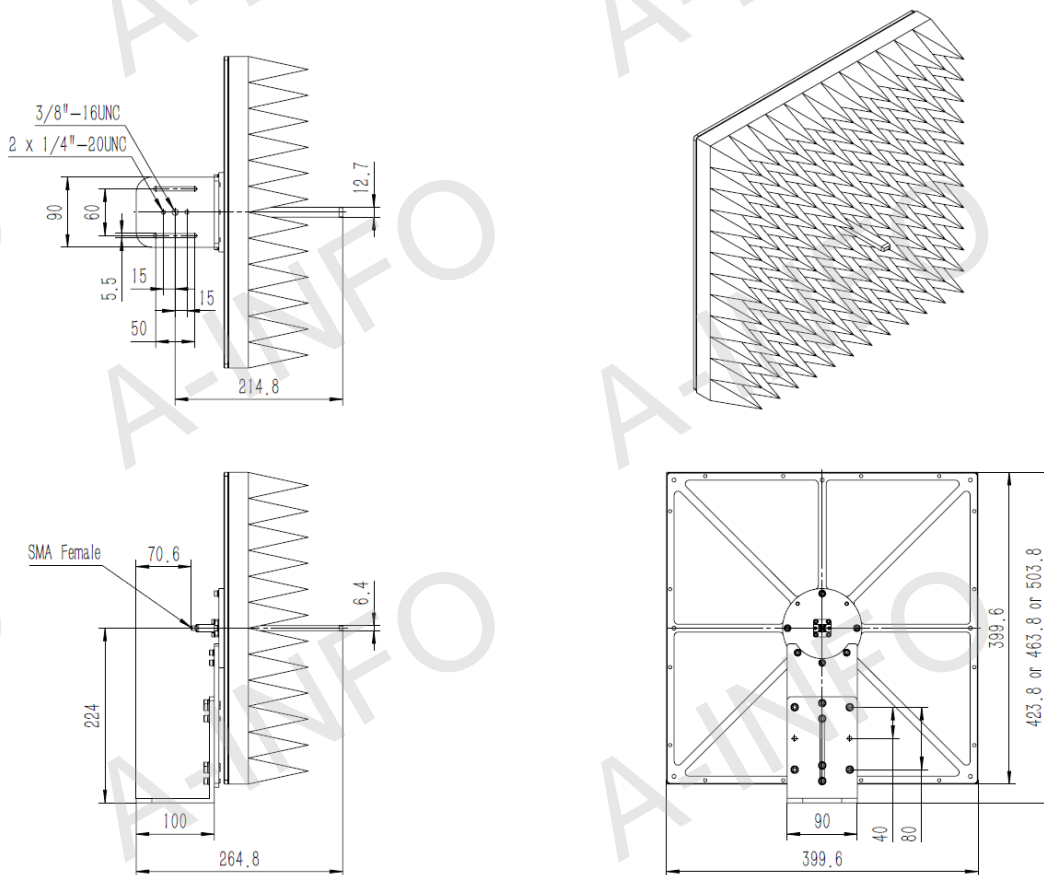
42EWGES-A1 (With Endlaunch SMA-Female Output & Round Mounting Bracket, Equipped with Absorber)

For Endlaunch 2.92mm-Female output outline drawing, please contact A-INFO.



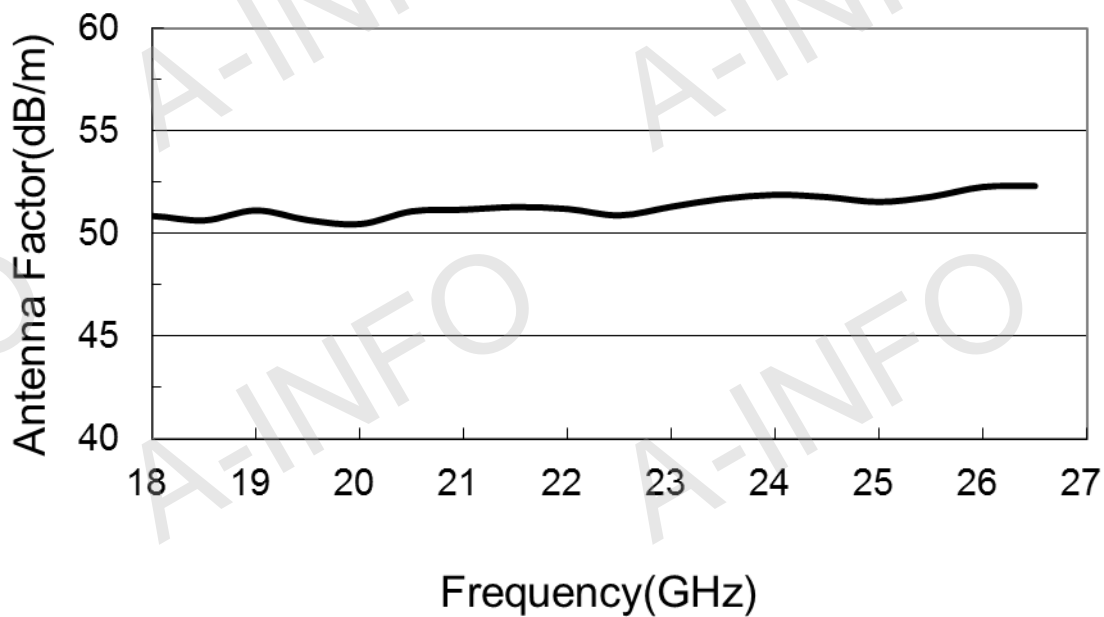
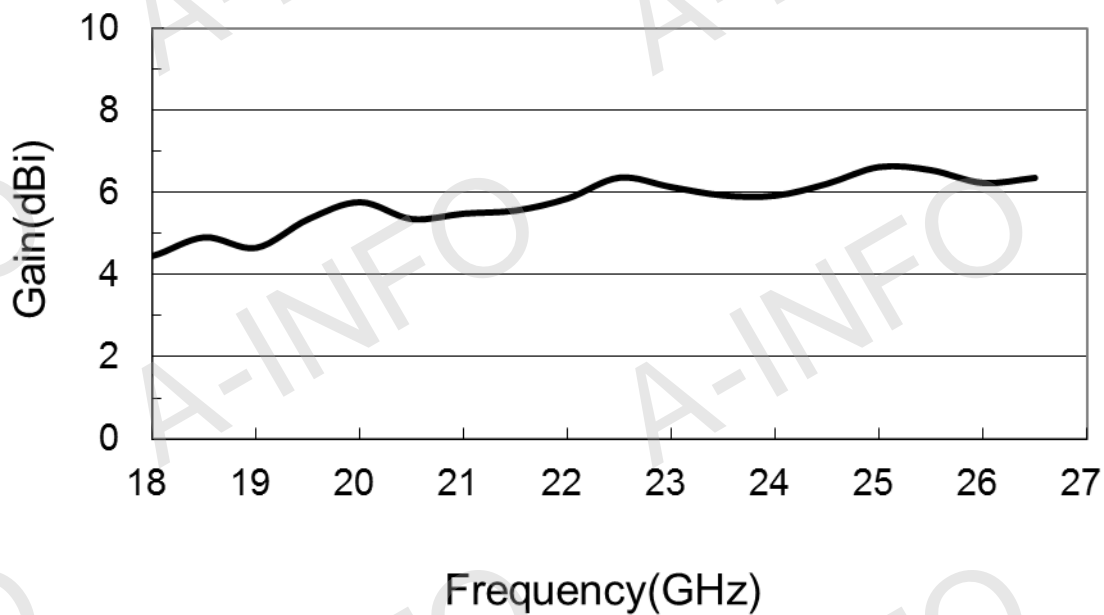
42EWGES-A1 (With Endlaunch SMA-Female Output & L Type Mounting Bracket, Equipped with Absorber)

For Endlaunch 2.92mm-Female output outline drawing, please contact A-INFO.

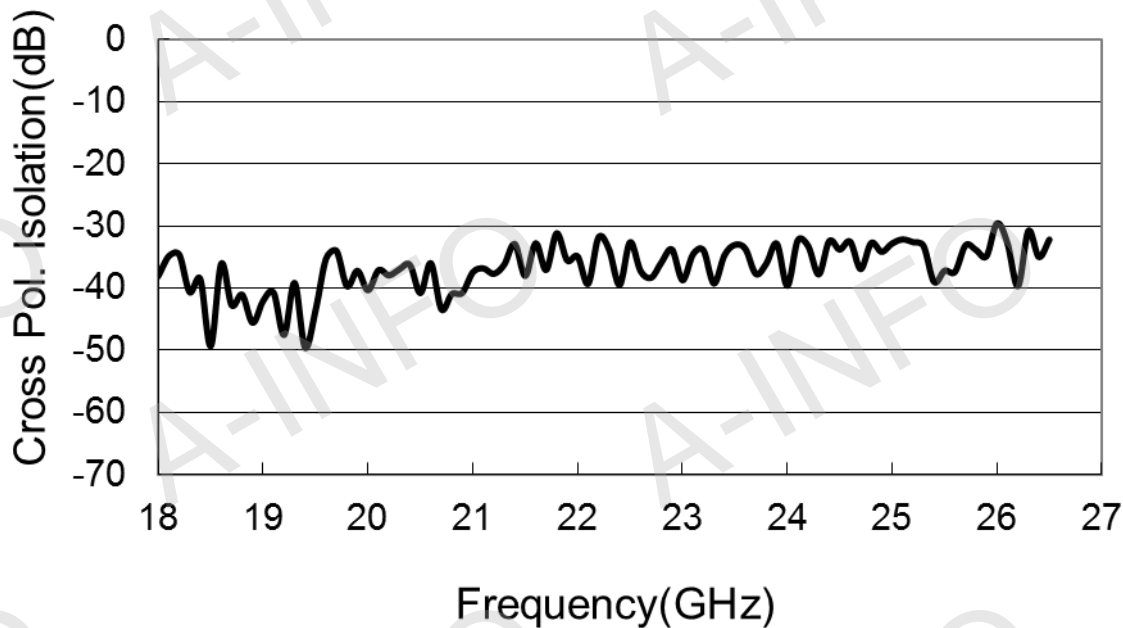


Test Results

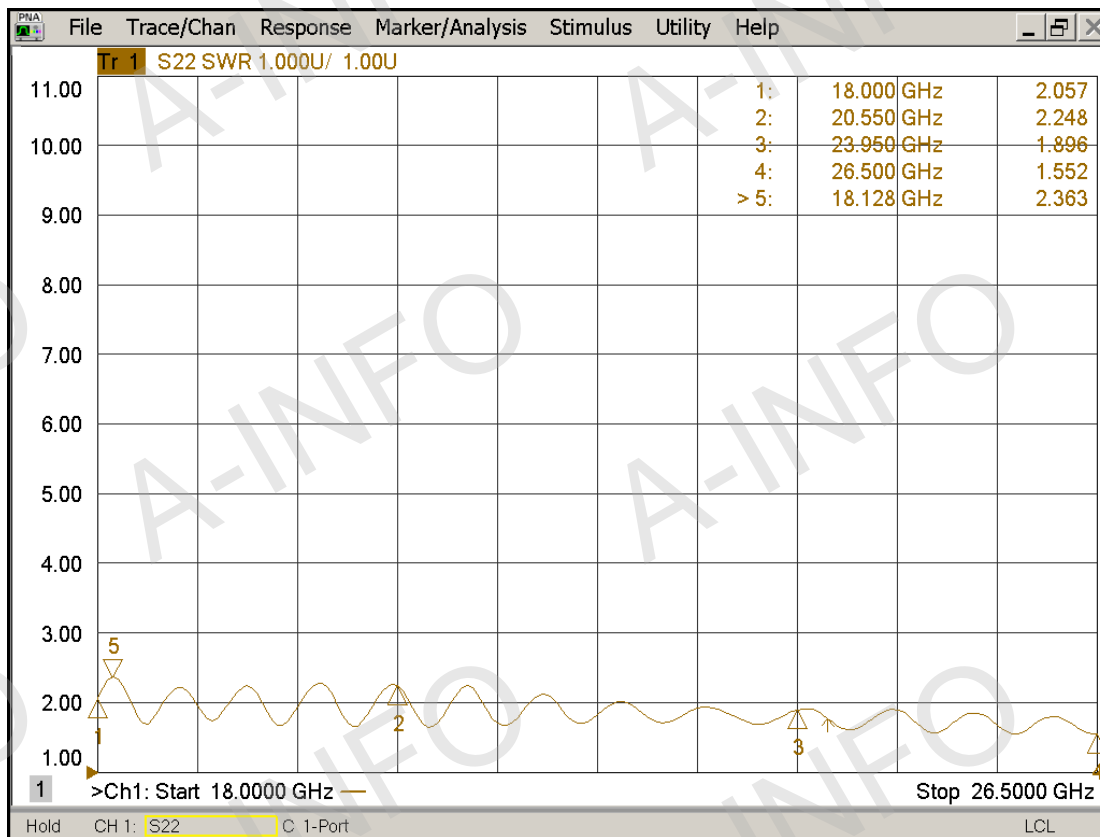
1. Gain & Antenna Factor



2. Cross Polarization Isolation



3. VSWR



4. Pattern

