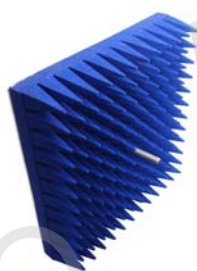


## Technical Specification

34EWGK



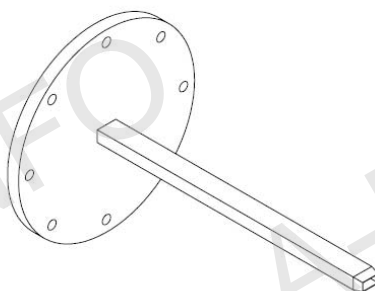
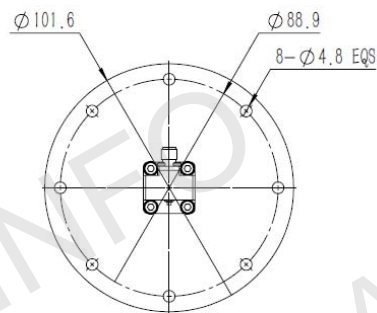
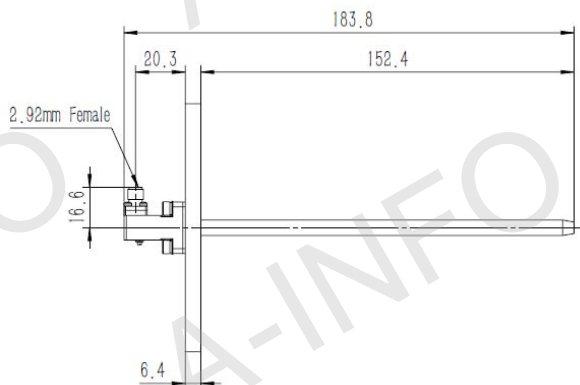
34EWGK-A1



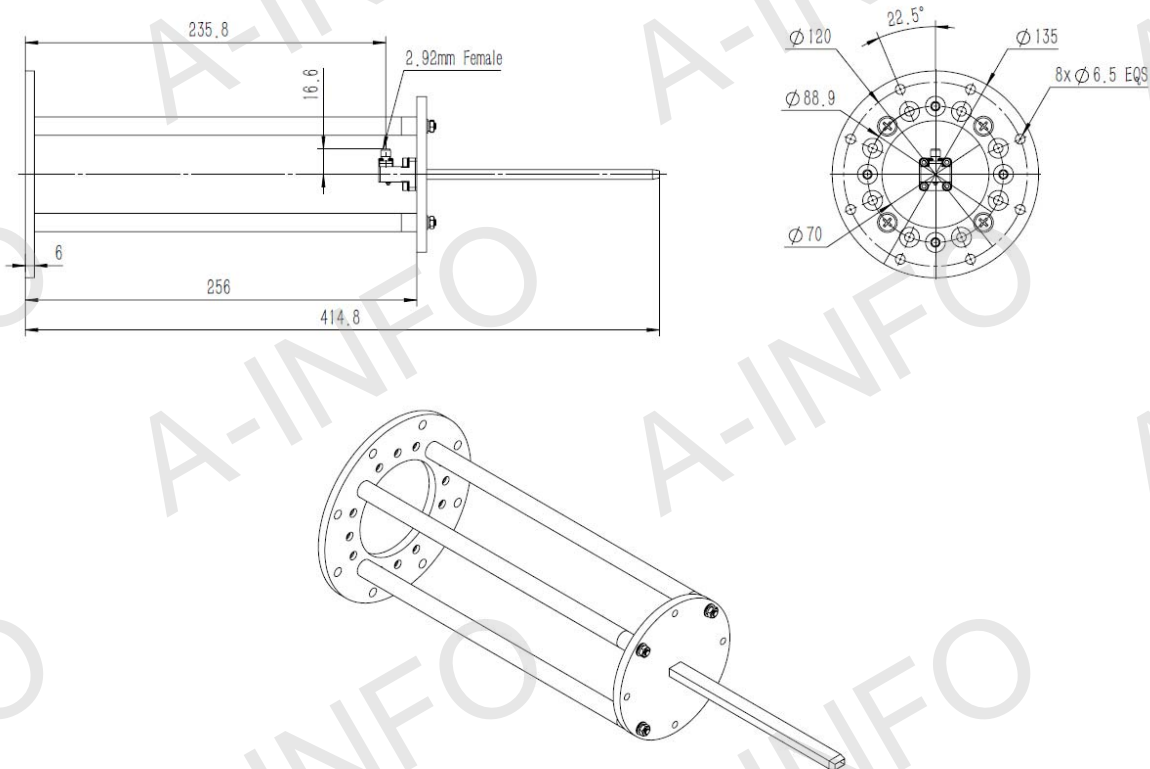
Frequency Range(GHz)	22.0 - 33.0	
Waveguide	WR34	
Gain(dBi)	5 Typ.	
Polarization	Linear	
3dB Beamwidth(deg)	E Plane:	97 Typ.
	H Plane:	64 Typ.
Cross Pol. Isolation(dB)	35 Typ.	
VSWR	2.0:1 Typ.	
Output	2.92mm-Female	
Material	Cu	
Size(mm)	34EWGK:	101.6 x 101.6 x 183.8
	34EWGK-A1:	399.6 x 399.6 x 183.8
Net Weight(Kg)	34EWGK:	0.5 Around
	34EWGK-A1:	2.75 Around

## Outline Drawing (Size: mm)

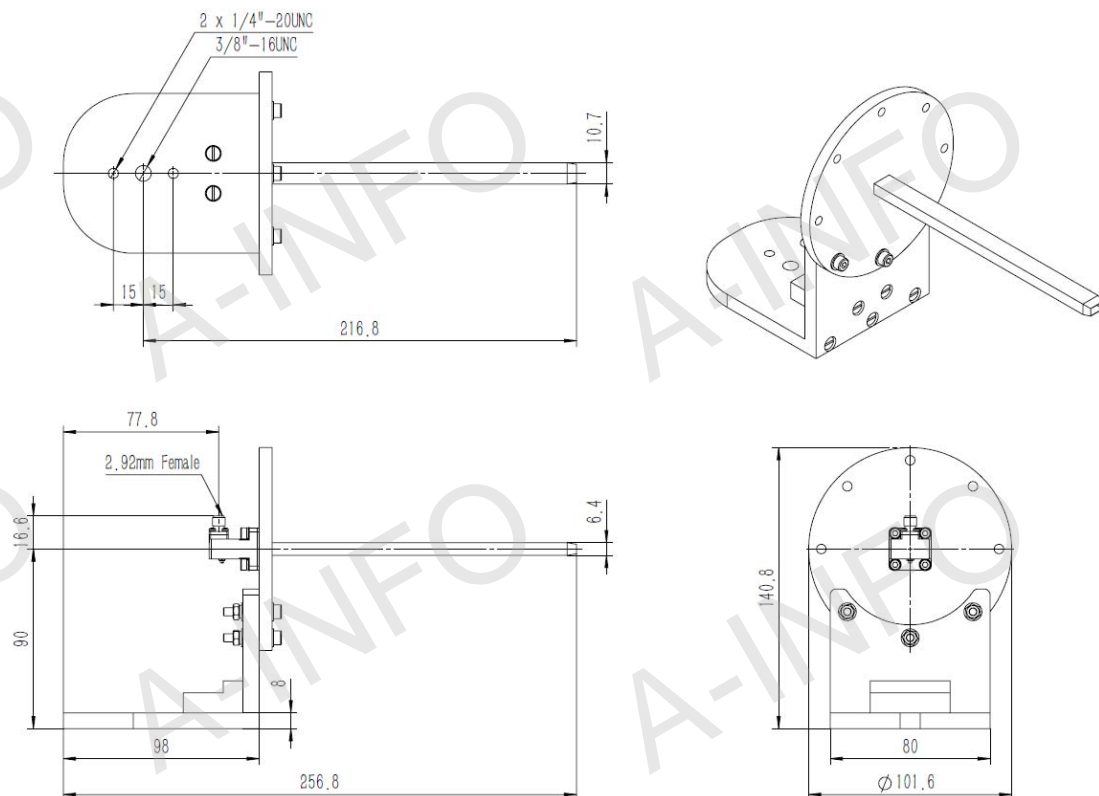
34EWGK (With 2.92mm-Female Output)



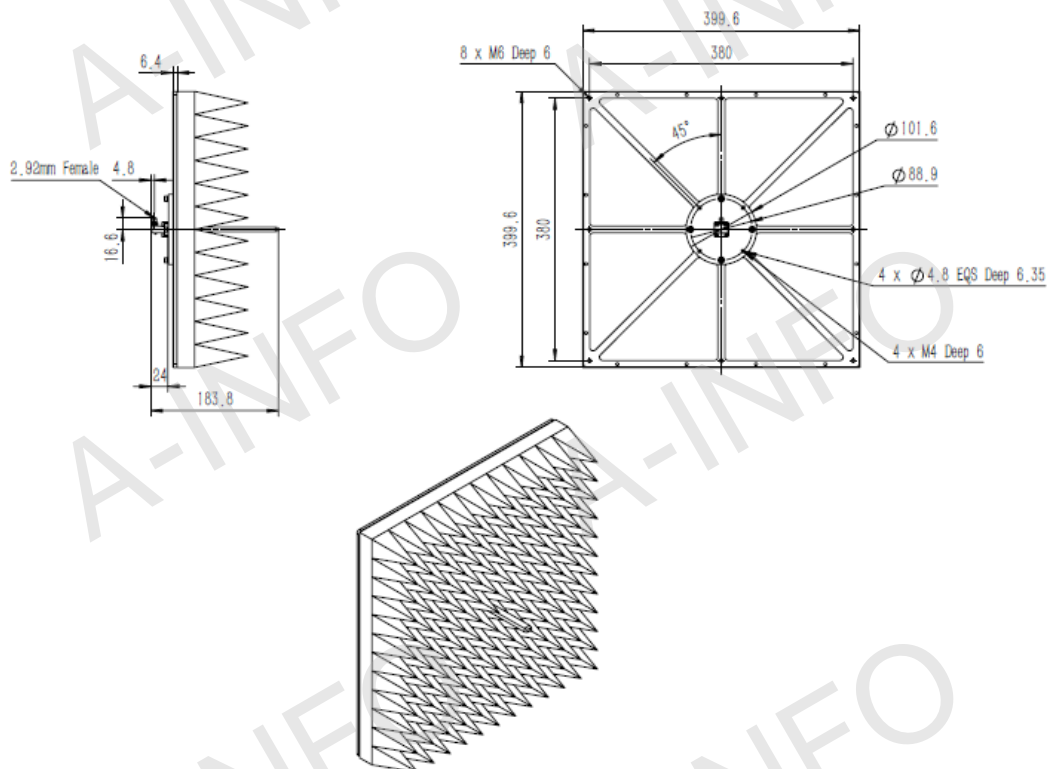
**34EWGK (With 2.92mm-Female Output & Round Mounting Bracket)**



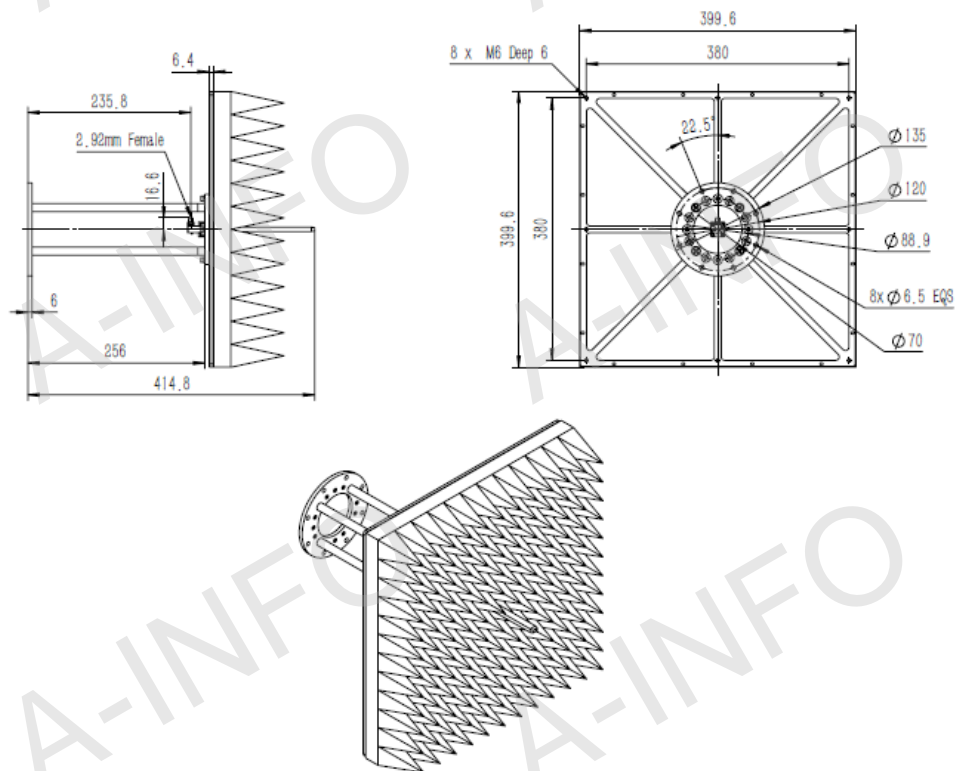
**34EWGK (With 2.92mm-Female Output & L Type Mounting Bracket)**



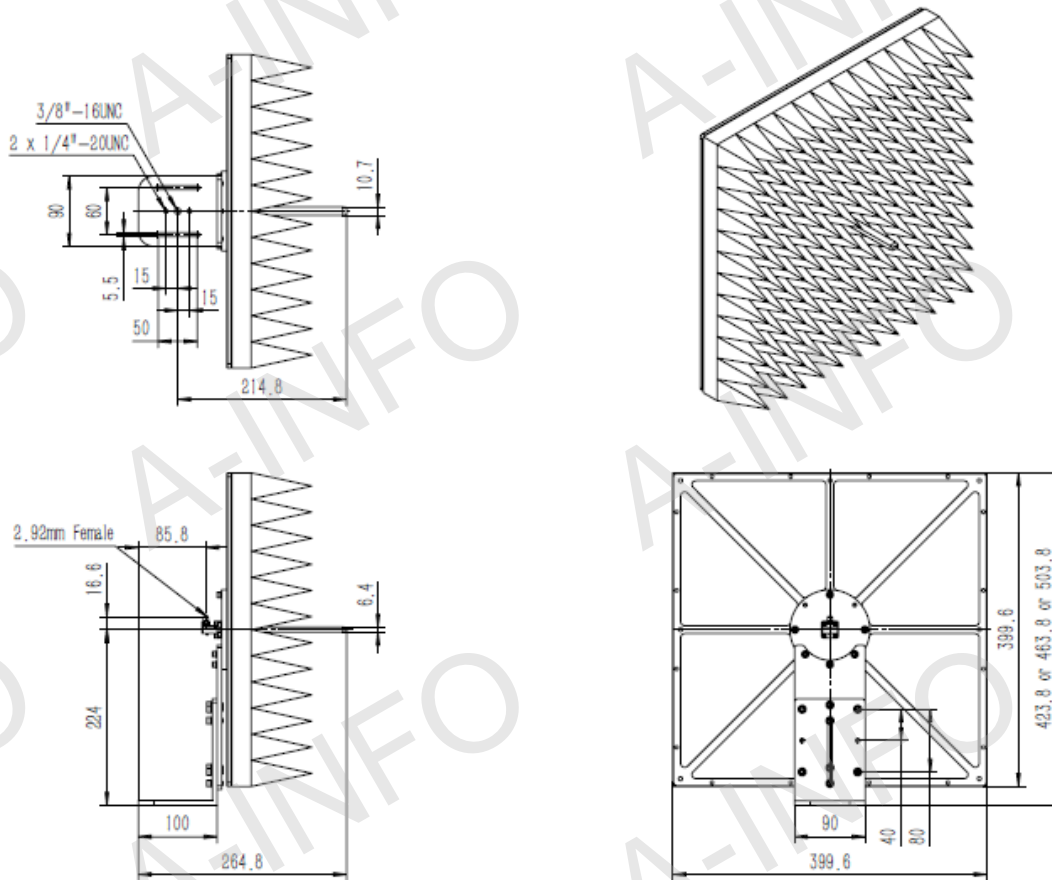
**34EWGK-A1 (With 2.92mm-Female Output, Equipped with Absorber)**



**34EWGK-A1 (With 2.92mm-Female Output & Round Mounting Bracket, Equipped with Absorber)**

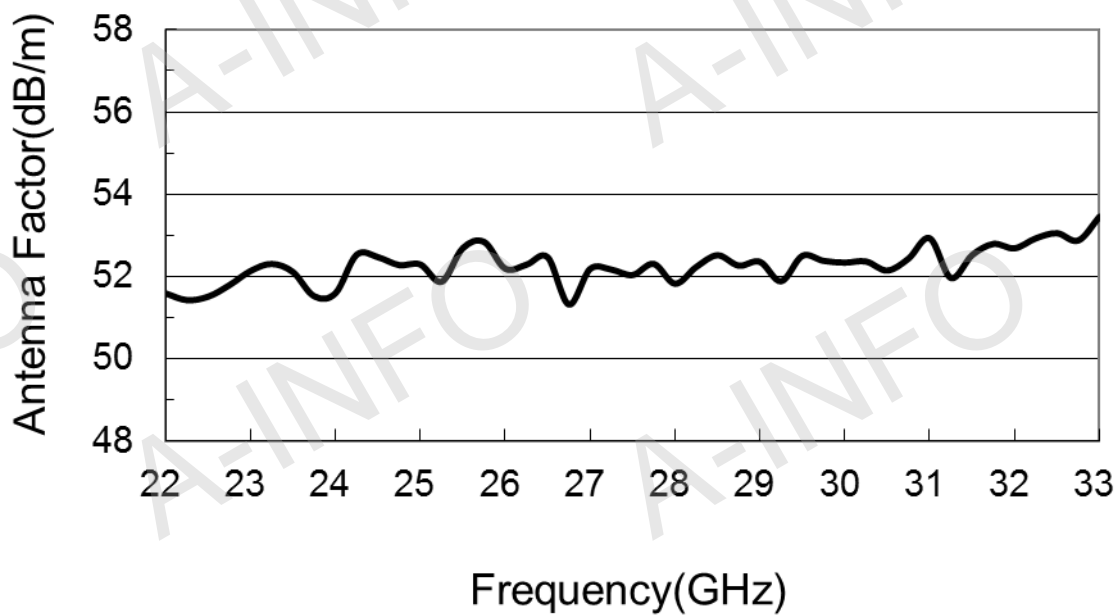
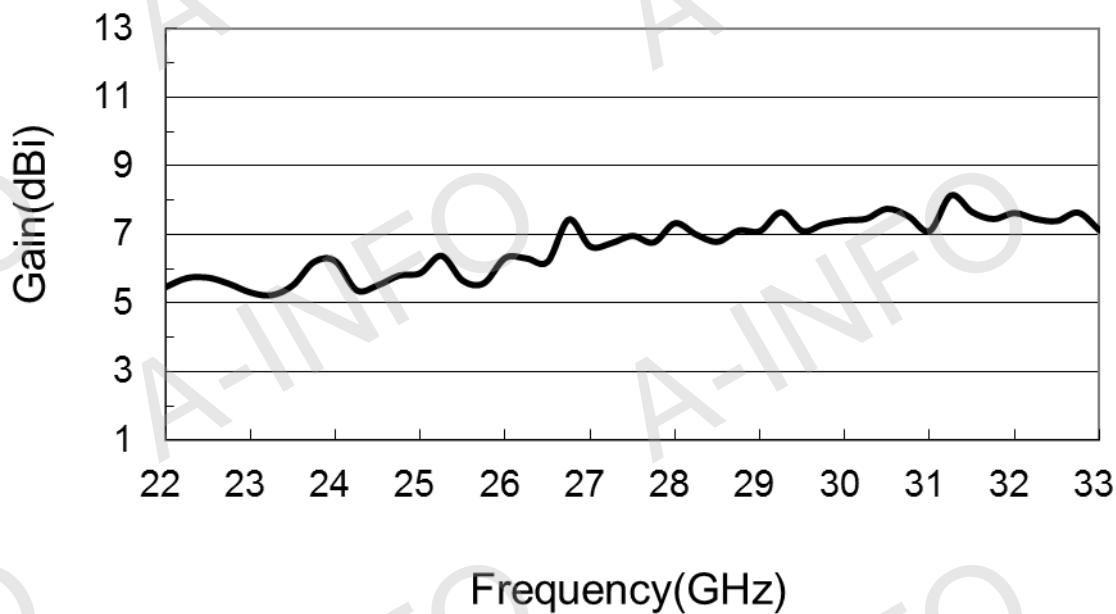


34EWGK-A1 (With 2.92mm-Female Output & L Type Mounting Bracket, Equipped with Absorber)

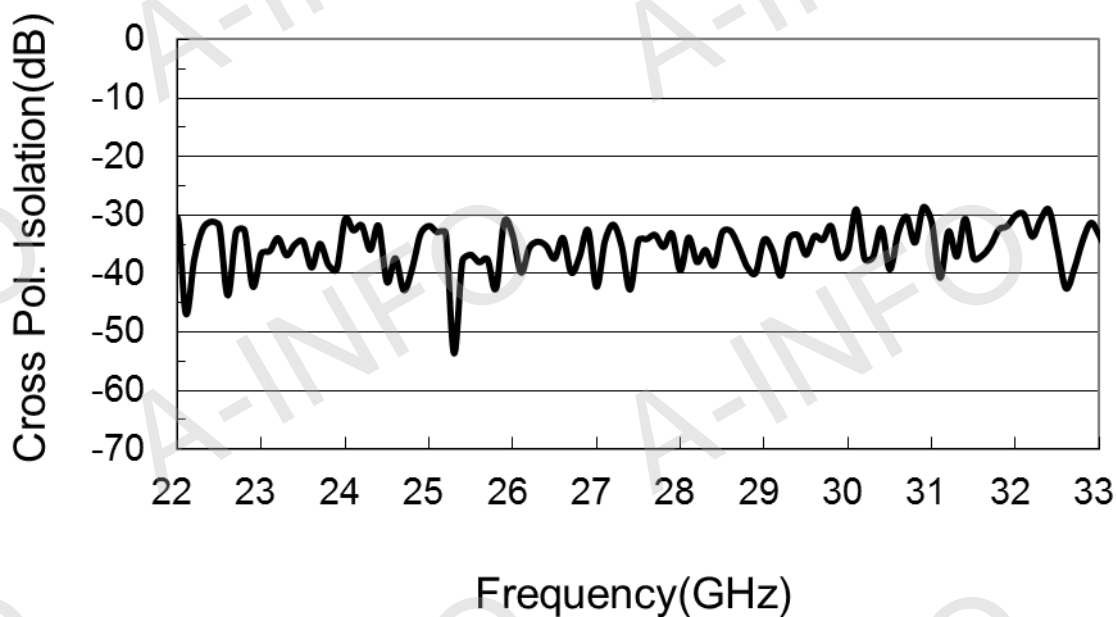


## Test Results

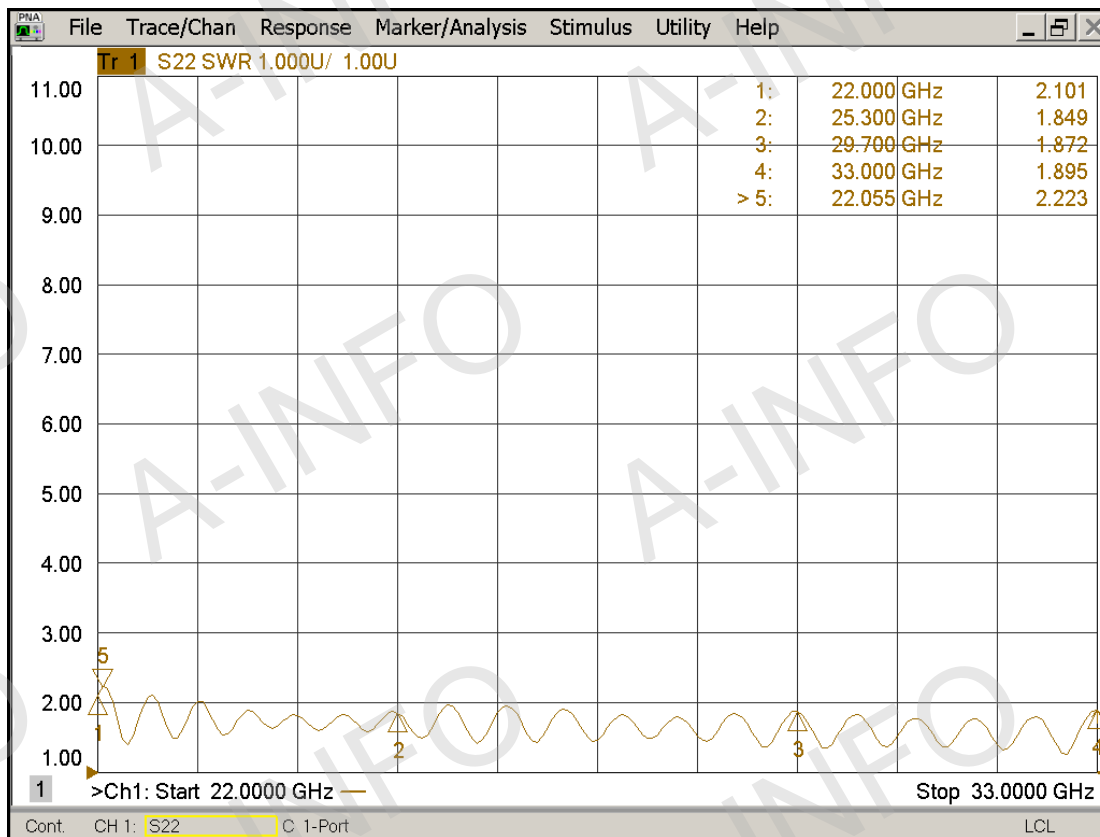
### 1. Gain & Antenna Factor



## 2. Cross Polarization Isolation



## 3. VSWR



## 4. Pattern

