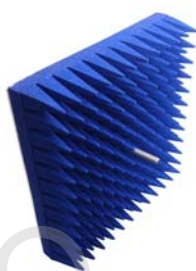


Technical Specification

34EWGEK



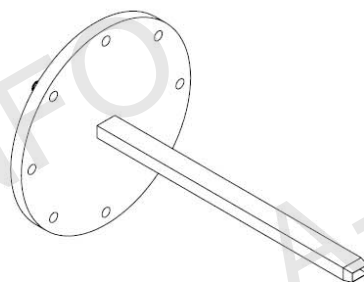
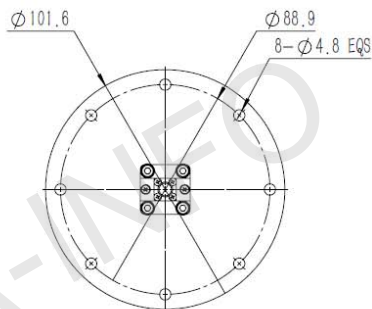
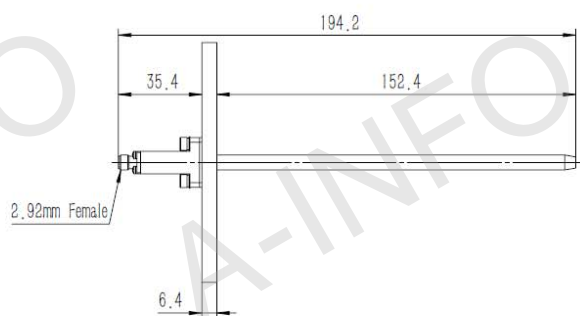
34EWGEK-A1



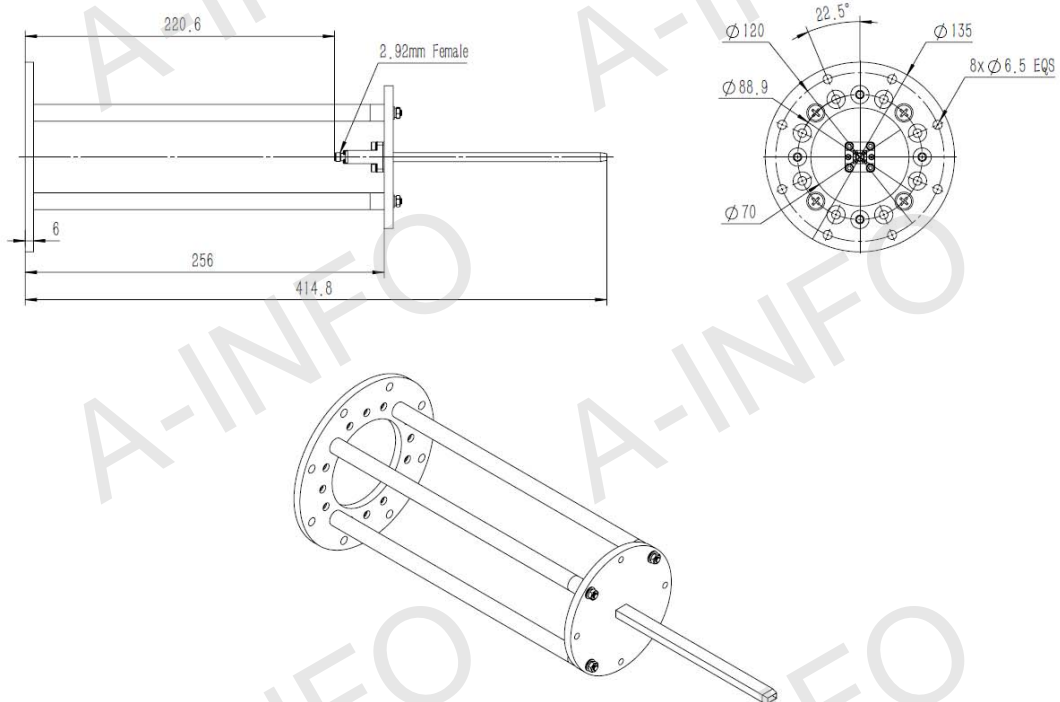
Frequency Range(GHz)	22.0 - 33.0
Waveguide	WR34
Gain(dBi)	5 Typ.
Polarization	Linear
3dB Beamwidth(deg)	E Plane: 97 Typ.
	H Plane: 64 Typ.
Cross Pol. Isolation(dB)	35 Typ.
VSWR	2.0:1 Typ.
Output	Endlaunch 2.92mm-Female
Material	Cu
Size(mm)	34EWGEK: 101.6 x 101.6 x 194.2
	34EWGEK-A1: 399.6 x 399.6 x 194.2
Net Weight(Kg)	34EWGEK: 0.5 Around
	34EWGEK-A1: 2.75 Around

Outline Drawing (Size: mm)

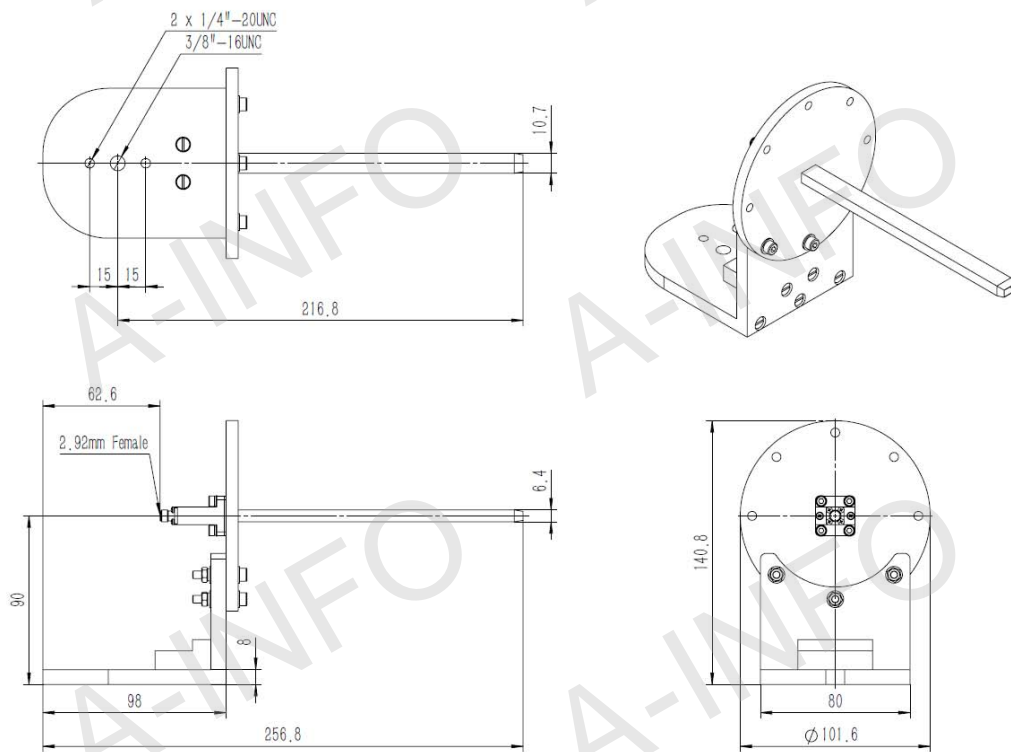
34EWGEK (With Endlaunch 2.92mm-Female Output)



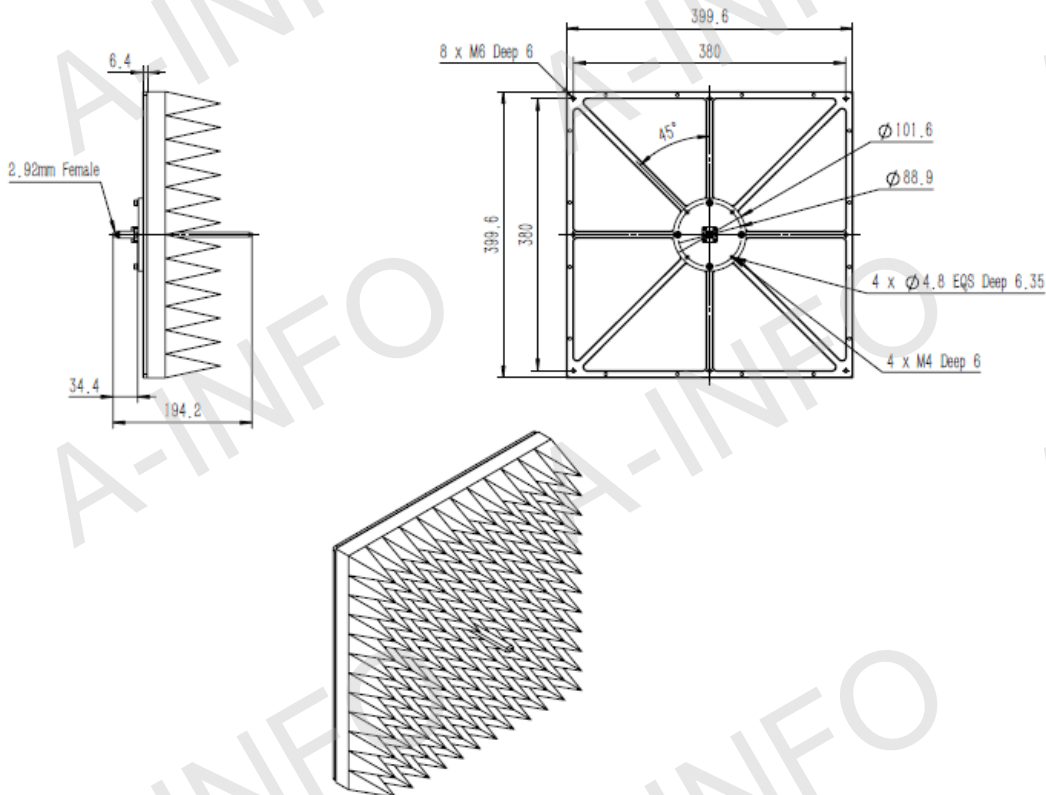
34EWGEK (With Endlaunch 2.92mm-Female Output & Round Mounting Bracket)



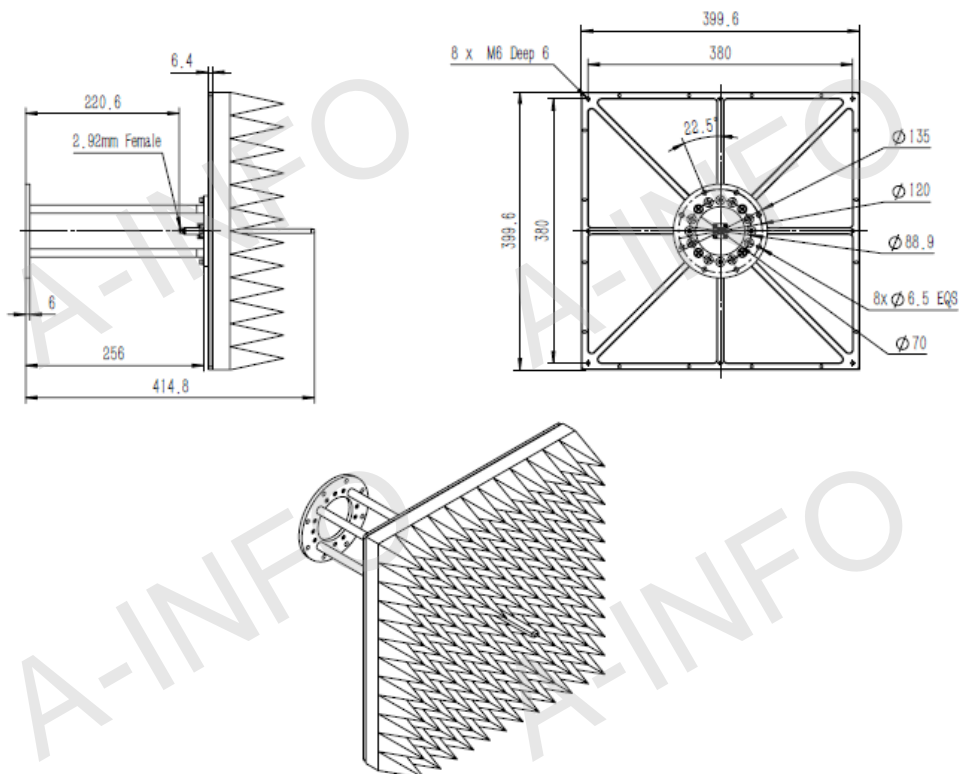
34EWGEK (With Endlaunch 2.92mm-Female Output & L Type Mounting Bracket)



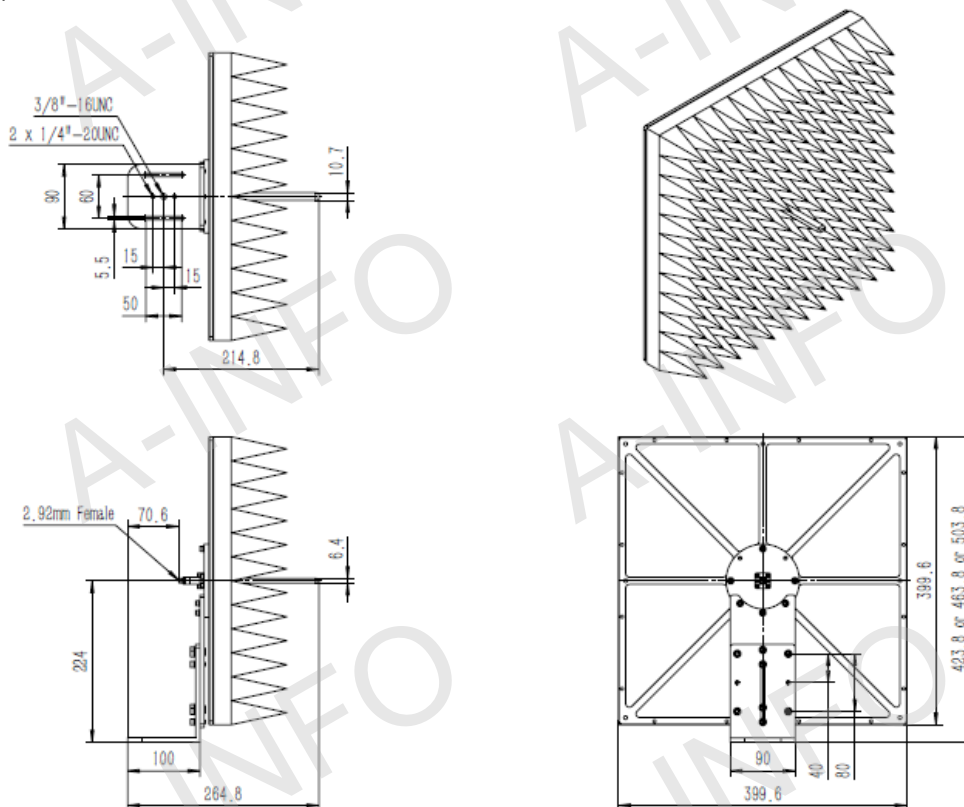
34EWGEK-A1 (With Endlaunch 2.92mm-Female Output, Equipped with Absorber)



34EWGEK-A1 (With Endlaunch 2.92mm-Female Output & Round Mounting Bracket, Equipped with Absorber)

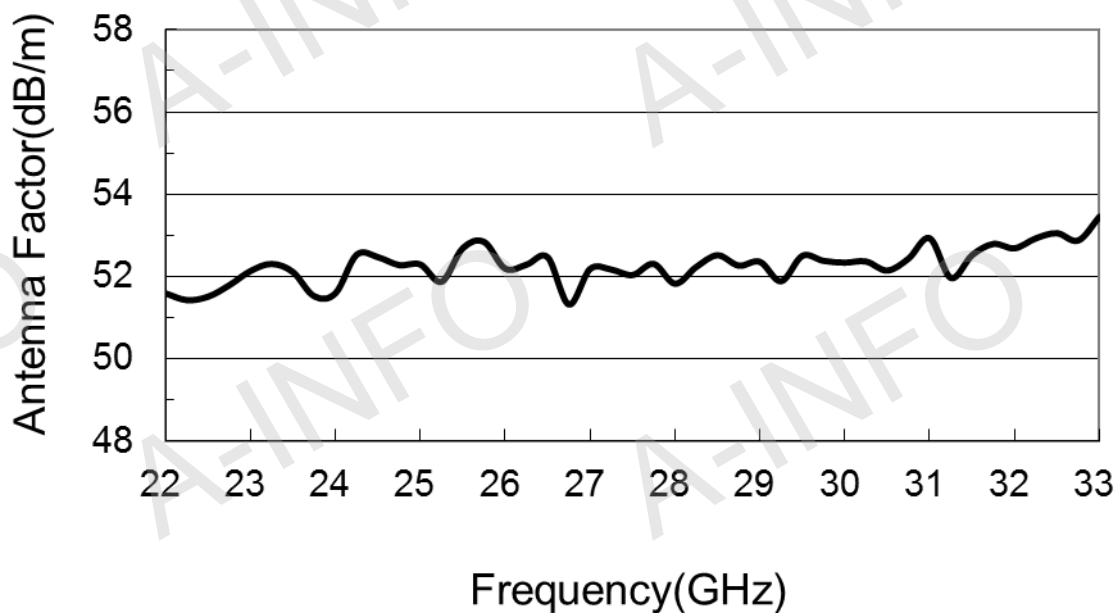
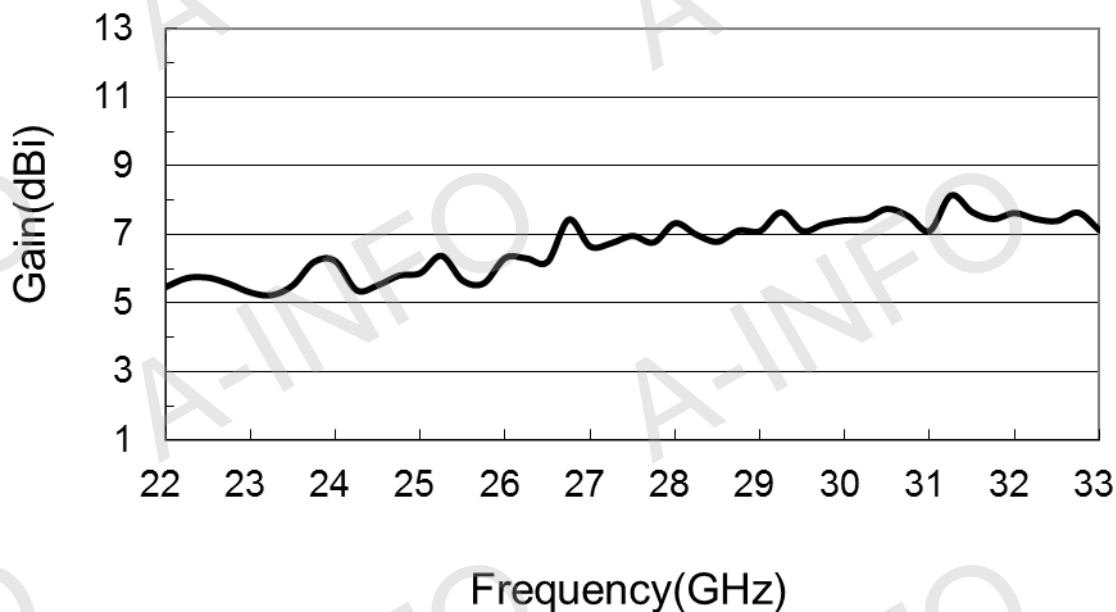


34EWGEK-A1 (With Endlaunch 2.92mm-Female Output & L Type Mounting Bracket, Equipped with Absorber)

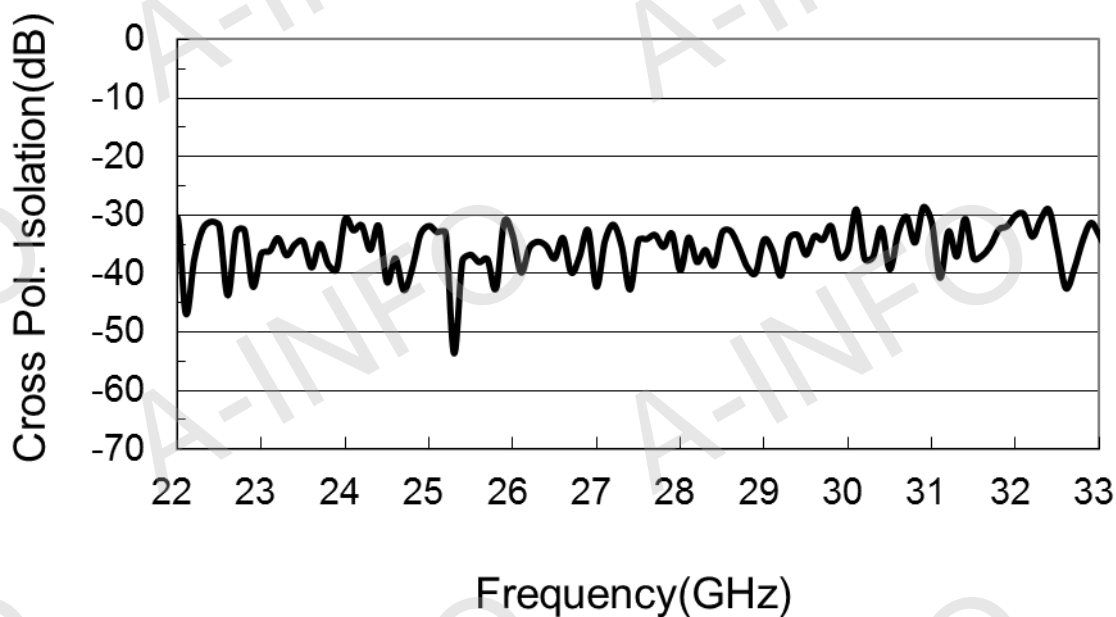


Test Results

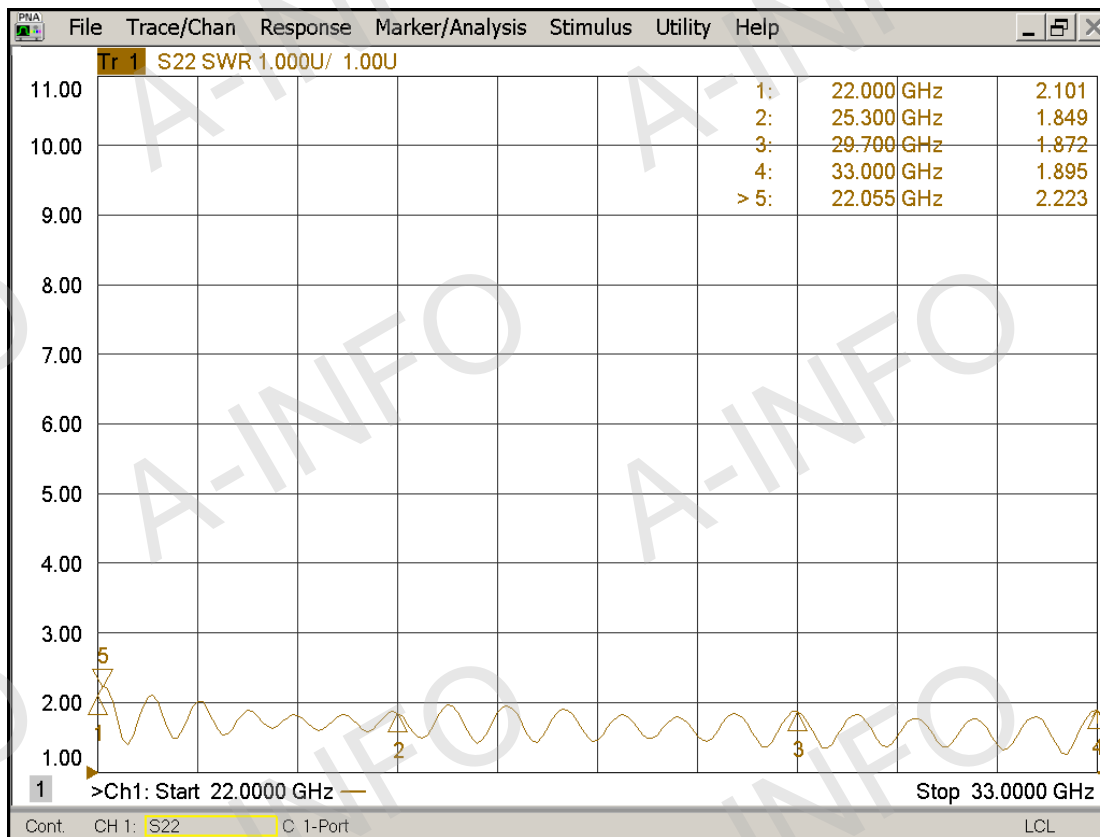
1. Gain & Antenna Factor



2. Cross Polarization Isolation



3. VSWR



4. Pattern

