

Technical Specification

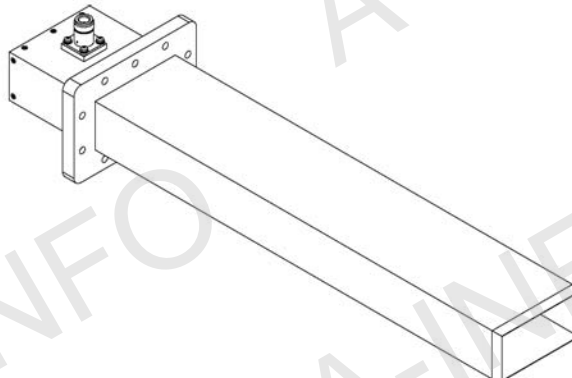
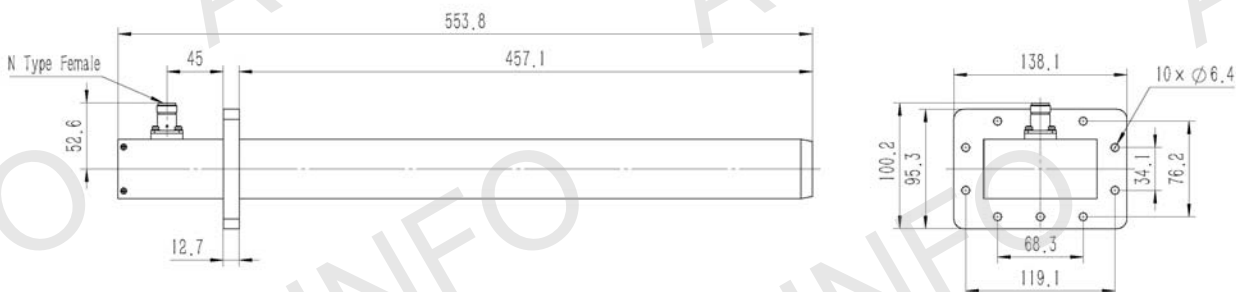


340EWGN	Frequency Range(GHz)	2.2 - 3.3
	Waveguide	WR340
	Gain(dBi)	5 Typ.
	Polarization	Linear
	3dB Beamwidth(deg)	E Plane: 98 Typ.
		H Plane: 63 Typ.
	Cross Pol. Isolation(dB)	30 Typ.
	VSWR	2.0:1 Typ.
	Output	N-Female or SMA-Female or 7/16-Female
	Material	Al
	Size(mm)	340EWGx: 138.1 x 100.2 x 553.8
		340EWGx-A1: 600 x 600 x 553.8
	Net Weight(Kg)	340EWGx: 1.20 Around
		340EWGx-A1: 7.60 Around

Outline Drawing (Size: mm)

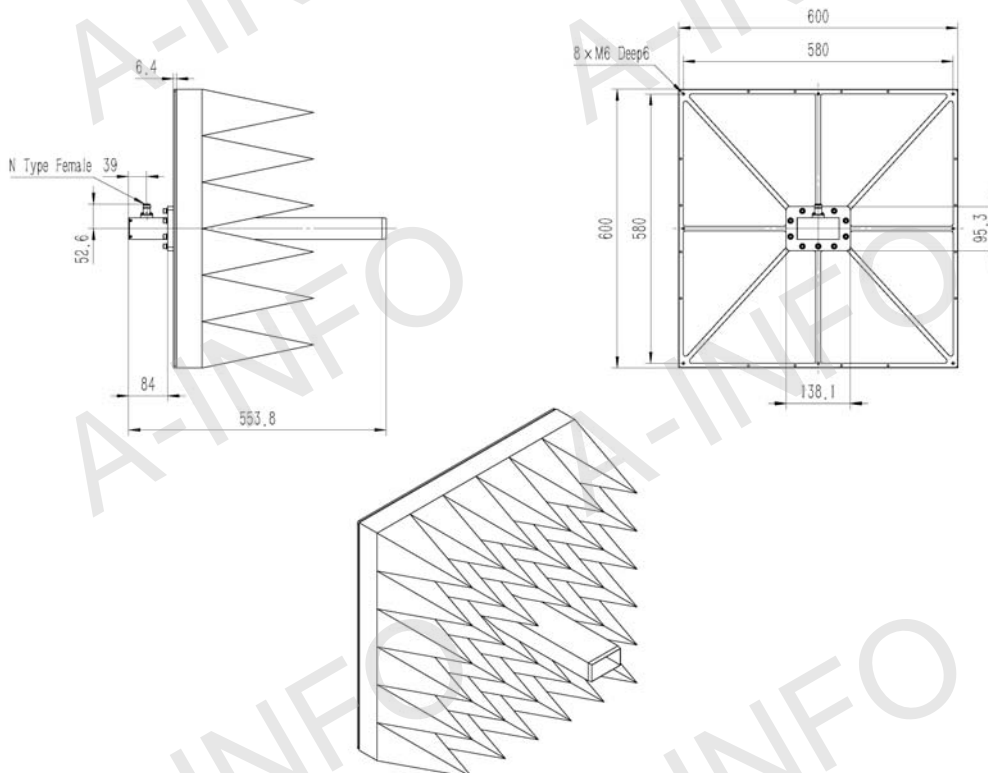
N-Female Output (P/N: 340EWGN)

For SMA-Female or 7/16-Female output outline drawing, please contact A-INFO.



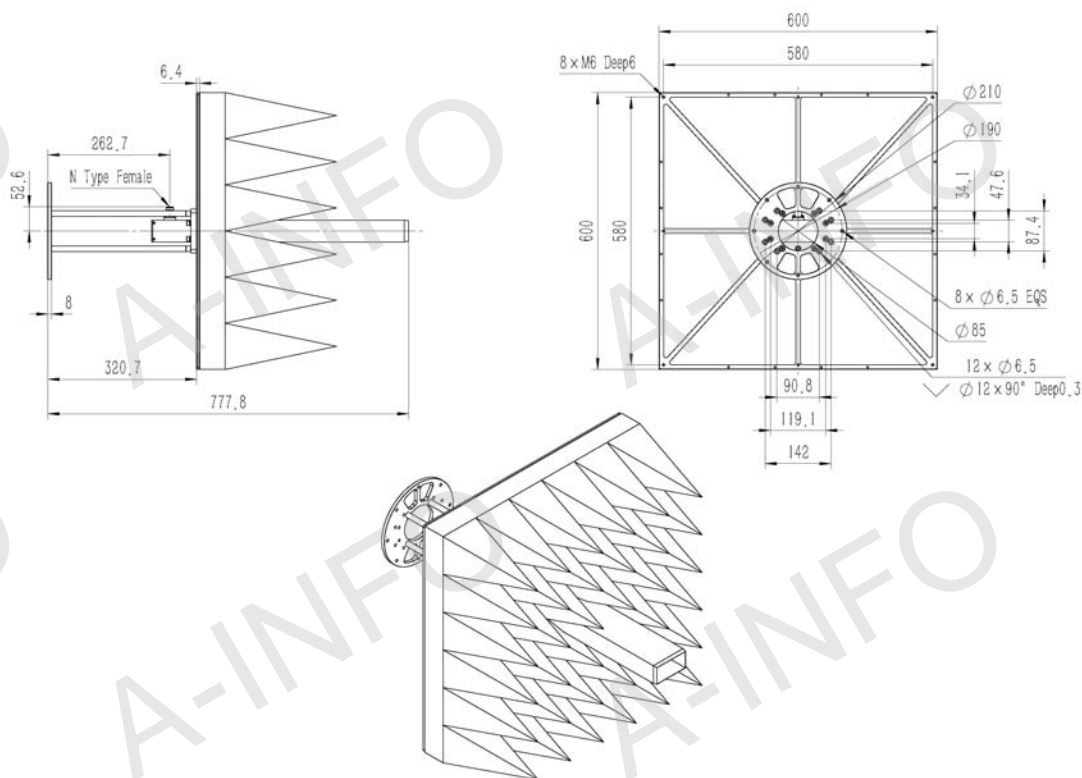
N-Female Output, Equipped with Absorber (Option, P/N: 340EWGN-A1)

For SMA-Female or 7/16-Female output outline drawing, please contact A-INFO.



N-Female Output with Round Mounting Bracket & Equipped with Absorber (Option, P/N: EWG-MB50 & 340EWGN-A1)

For SMA-Female or 7/16-Female output outline drawing, please contact A-INFO.



Test Results

VSWR

