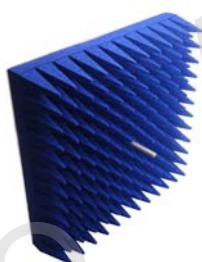


Technical Specification

28EWGEx



28EWGEx-A1

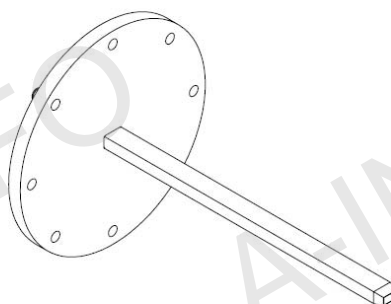
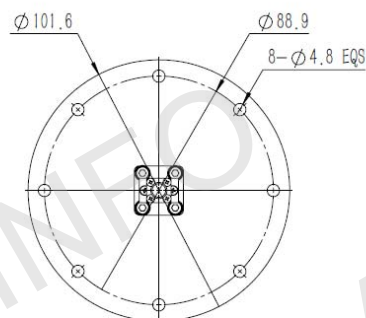
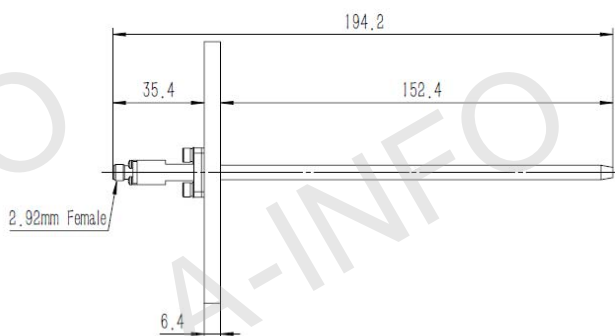


Frequency Range(GHz)	26.5 - 40.0	
Waveguide	WR28	
Gain(dBi)	5 Typ.	
Polarization	Linear	
3dB Beamwidth(deg)	E Plane:	88 Typ.
	H Plane:	58 Typ.
Cross Pol. Isolation(dB)	35 Typ.	
VSWR	2.0:1 Typ.	
Output	Endlaunch 2.92mm-Female	
	or Endlaunch 2.4mm-Female	
Material	Cu	
Size(mm)	28EWGEx:	101.6 x 101.6 x 194.2
	28EWGEx-A1:	399.6 x 399.6 x 194.2
Net Weight(Kg)	28EWGEx:	0.5 Around
	28EWGEx-A1:	2.75 Around

Outline Drawing (Size: mm)

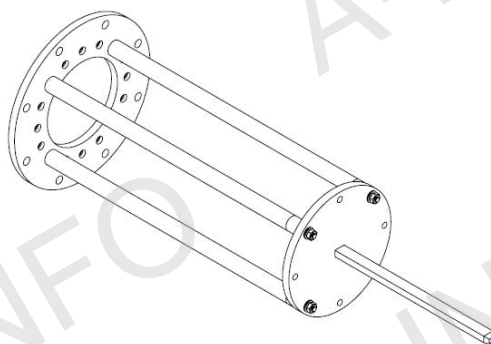
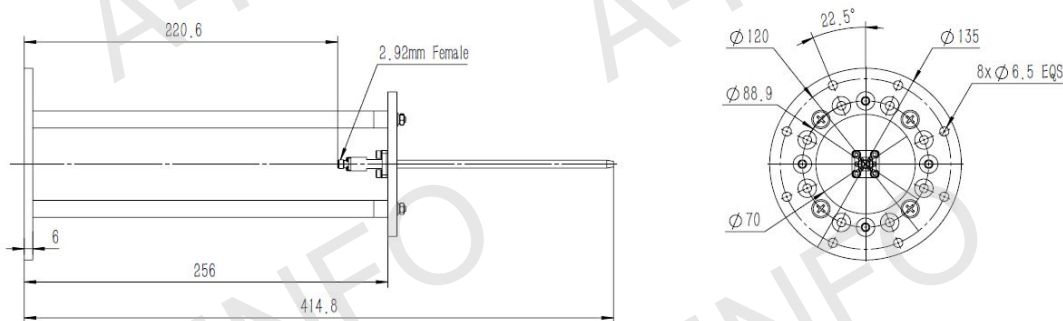
28EWGEx (With Endlaunch 2.92mm-Female Output)

For Endlaunch 2.4mm-Female output outline drawing, please contact A-INFO.



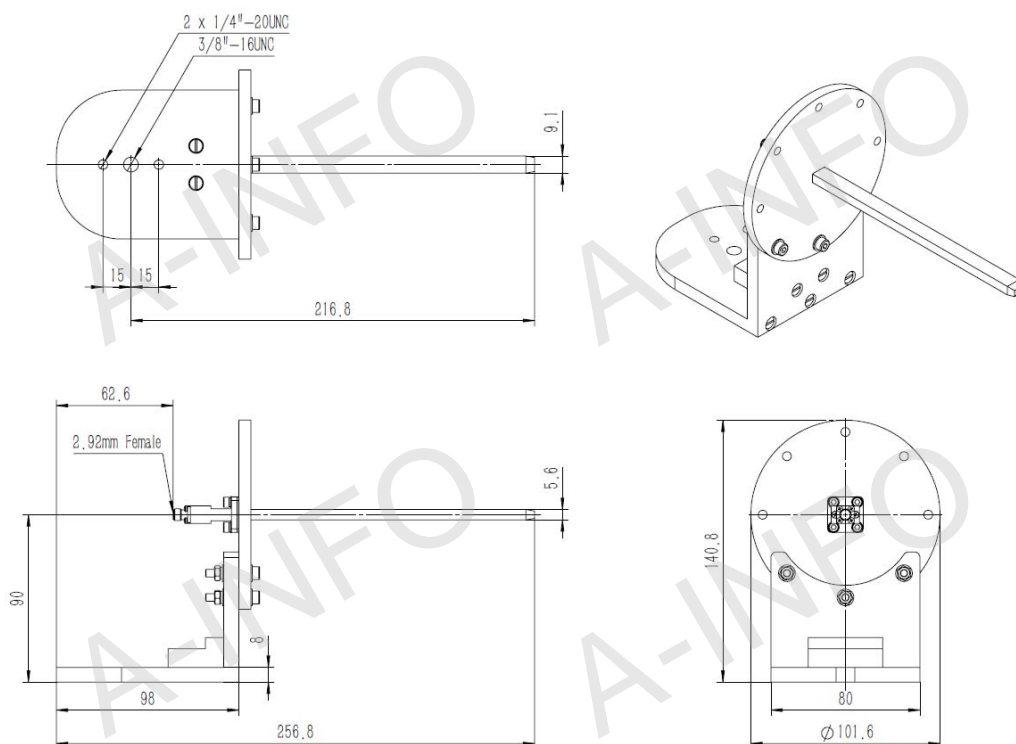
28EWGEK (With Endlaunch 2.92mm-Female Output & Round Mounting Bracket)

For Endlaunch 2.4mm-Female output outline drawing, please contact A-INFO.



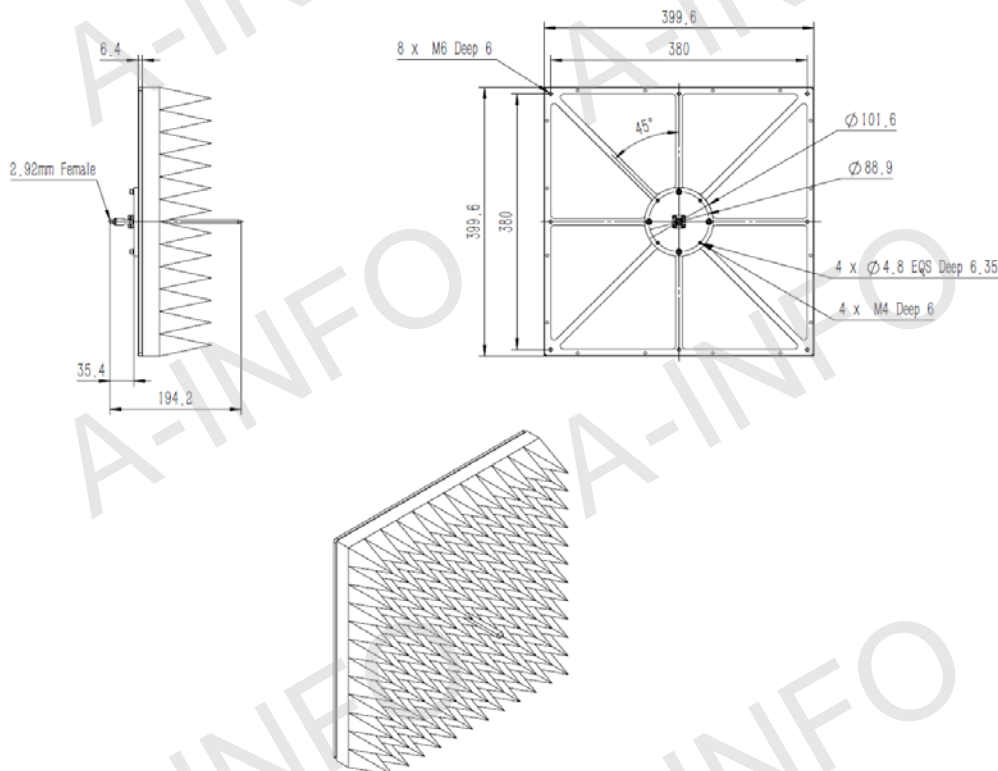
28EWGEK (With Endlaunch 2.92mm-Female Output & L Type Mounting Bracket)

For Endlaunch 2.4mm-Female output outline drawing, please contact A-INFO.



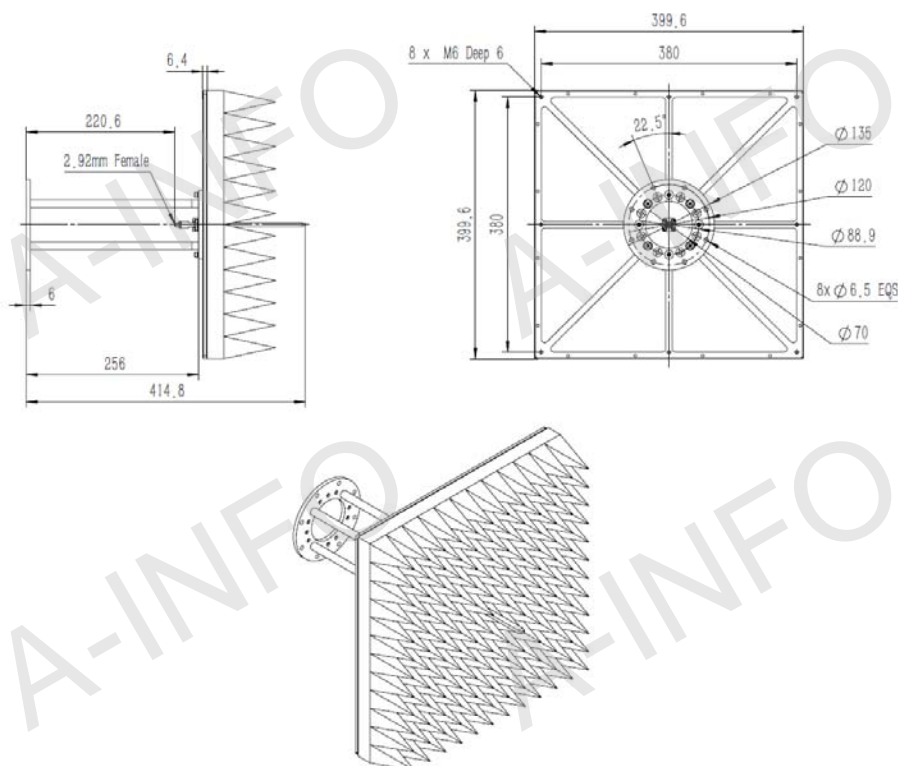
28EWGEx-A1 (With Endlaunch 2.92mm-Female Output, Equipped with Absorber)

For Endlaunch 2.4mm-Female output outline drawing, please contact A-INFO.



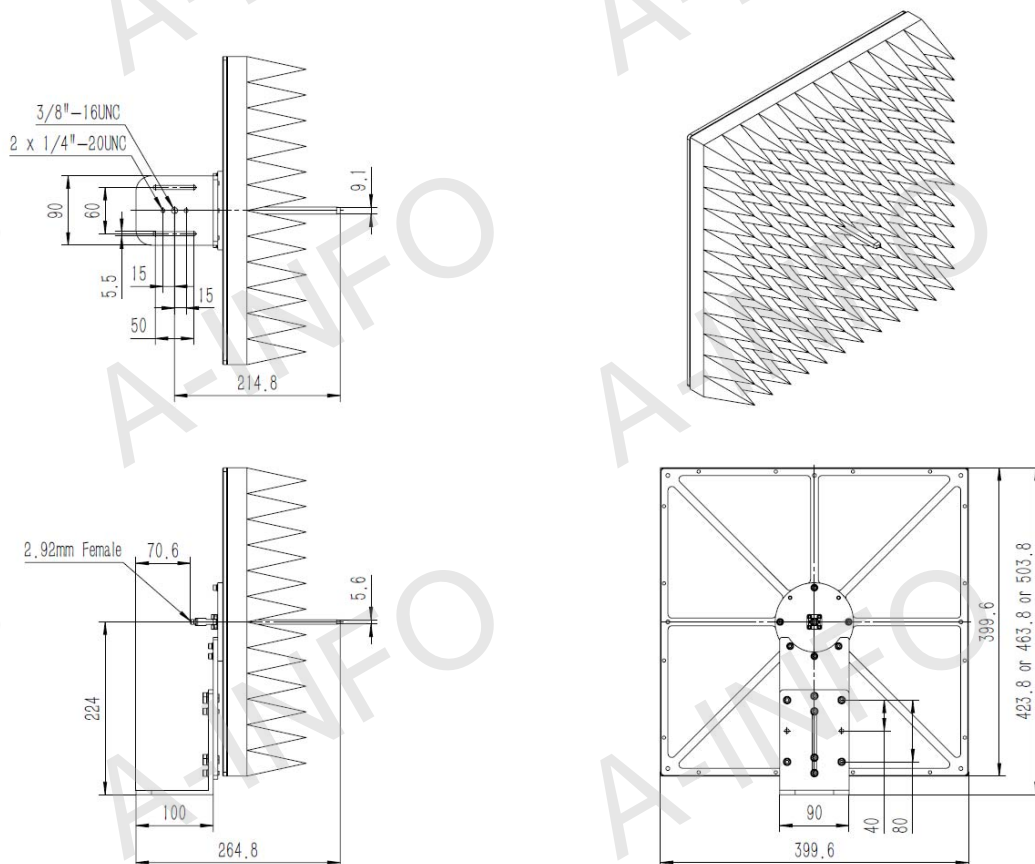
28EWGEx-A1 (With Endlaunch 2.92mm-Female Output & Round Mounting Bracket, Equipped with Absorber)

For Endlaunch 2.4mm-Female output outline drawing, please contact A-INFO.



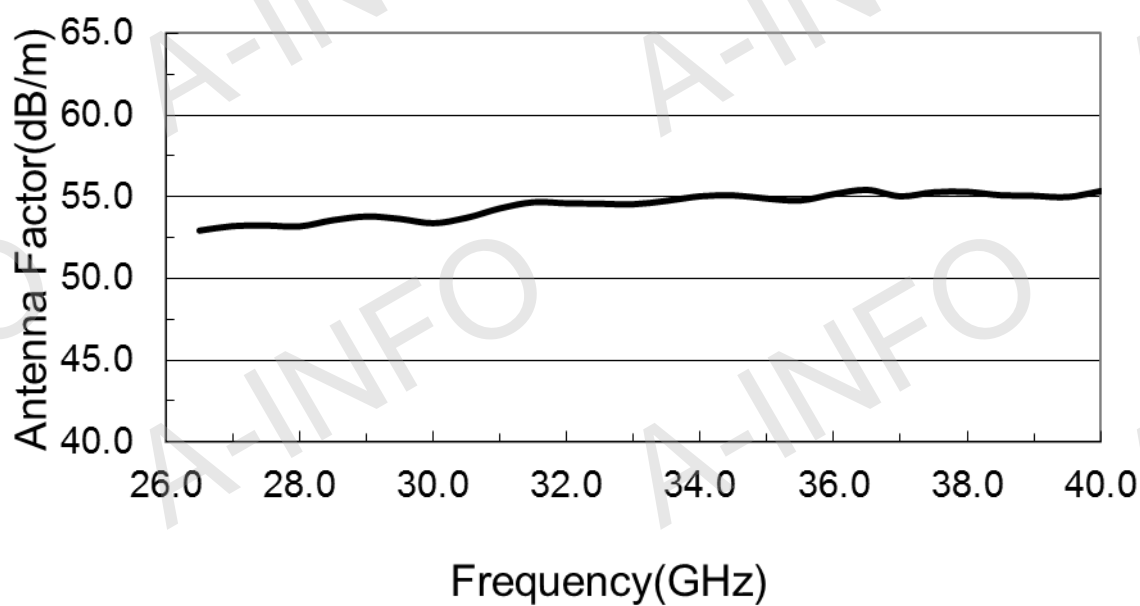
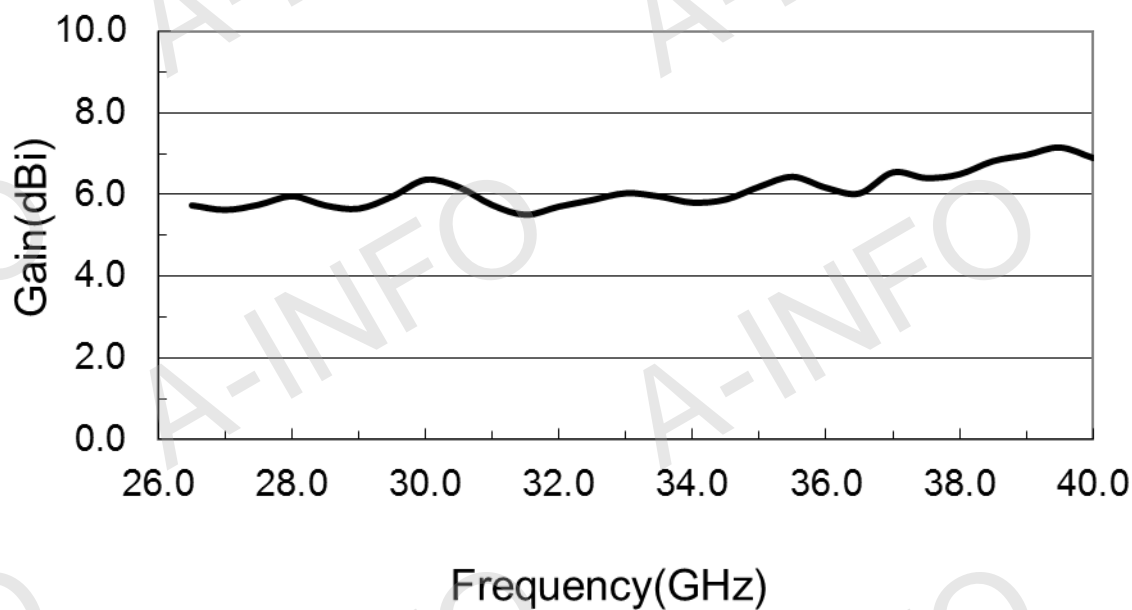
28EWGEK-A1 (With Endlaunch 2.92mm-Female Output & L Type Mounting Bracket, Equipped with Absorber)

For Endlaunch 2.4mm-Female output outline drawing, please contact A-INFO.

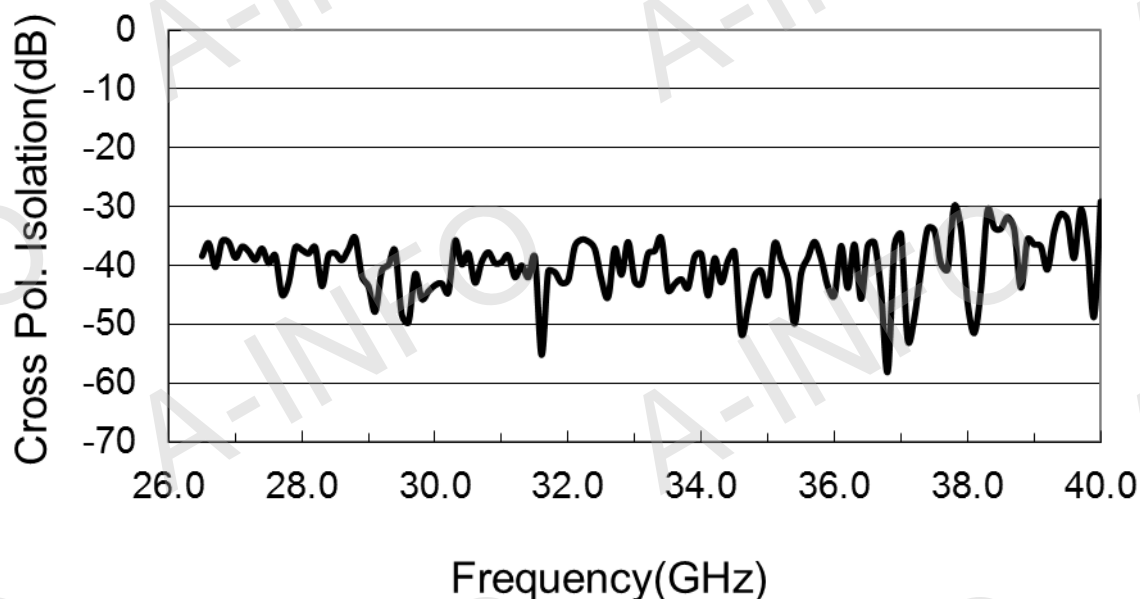


Test Results

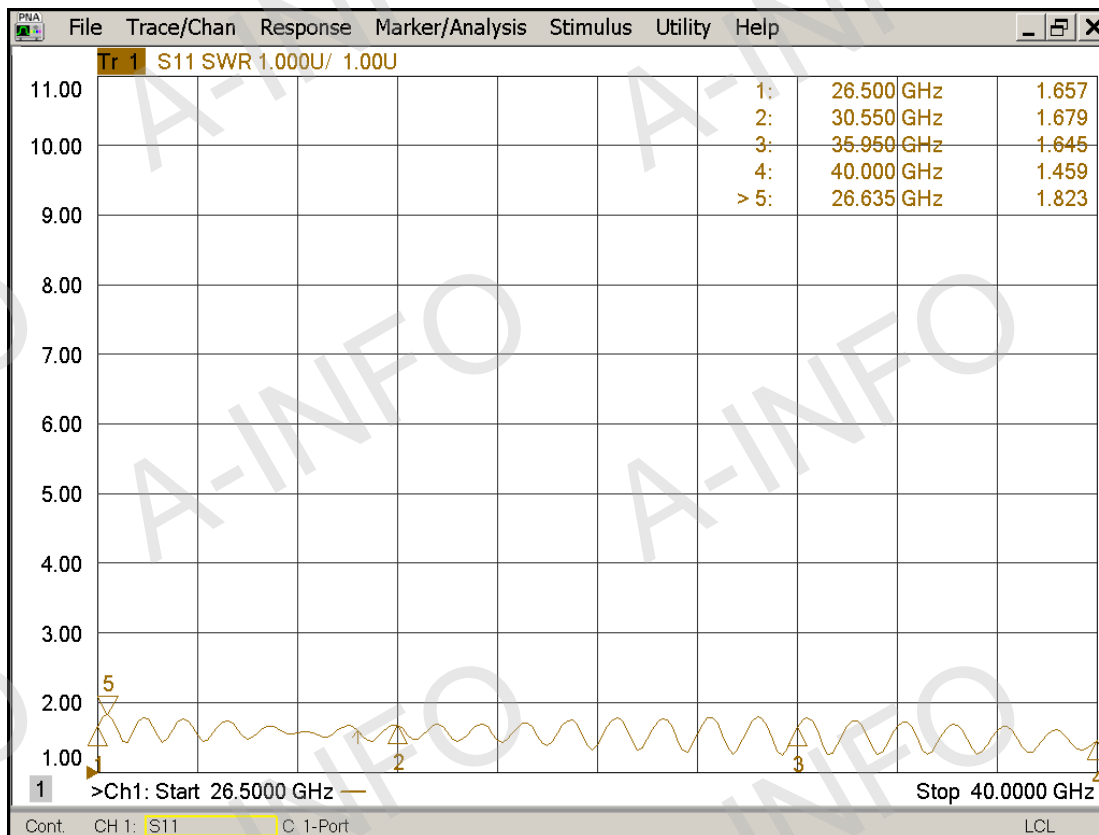
1. Gain & Antenna Factor



2. Cross Polarization Isolation



3. VSWR



4. Pattern

