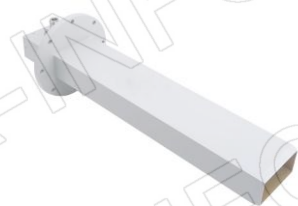
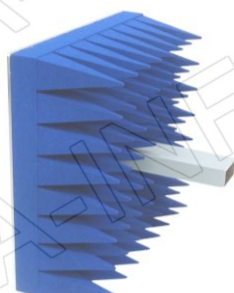


Technical Specification

284EWGN



284EWGN-A1

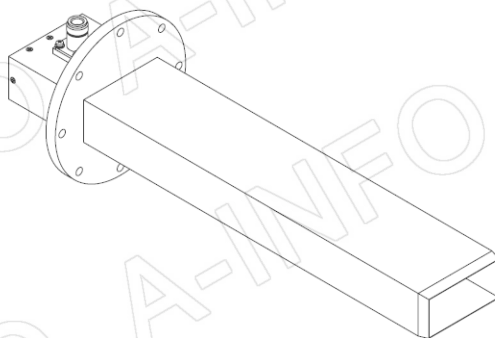
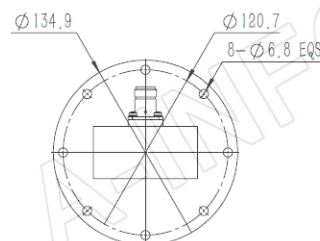
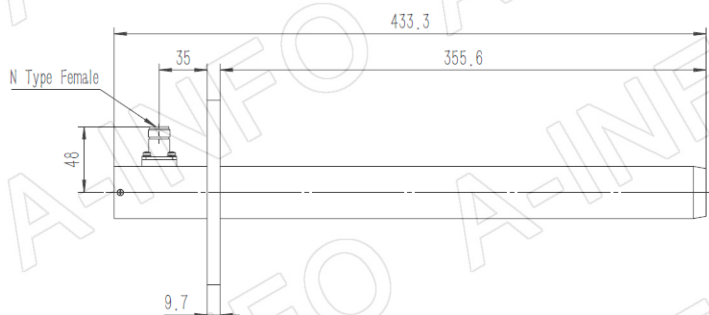


Frequency Range(GHz)	2.60 - 3.95	
Waveguide	WR284	
Gain(dBi)	5 Typ.	
Polarization	Linear	
3dB Beamwidth(deg)	E Plane:	94 Typ.
	H Plane:	60 Typ.
Cross Pol. Isolation(dB)	30 Typ.	
VSWR	2.0:1 Typ.	
Output	N-Female or SMA-Female or 7/16-Female	
Material	Al	
Size(mm)	284EWGx:	134.9 x 134.9 x 433.3
	284EWGx-A1:	480 x 480 x 433.3
Net Weight(Kg)	284EWGx:	0.94 Around
	284EWGx-A1:	4.61 Around

Outline Drawing (Size: mm)

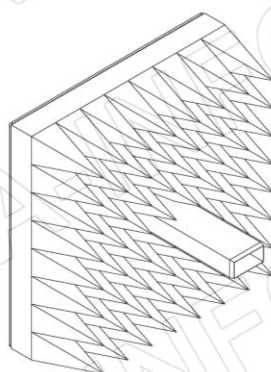
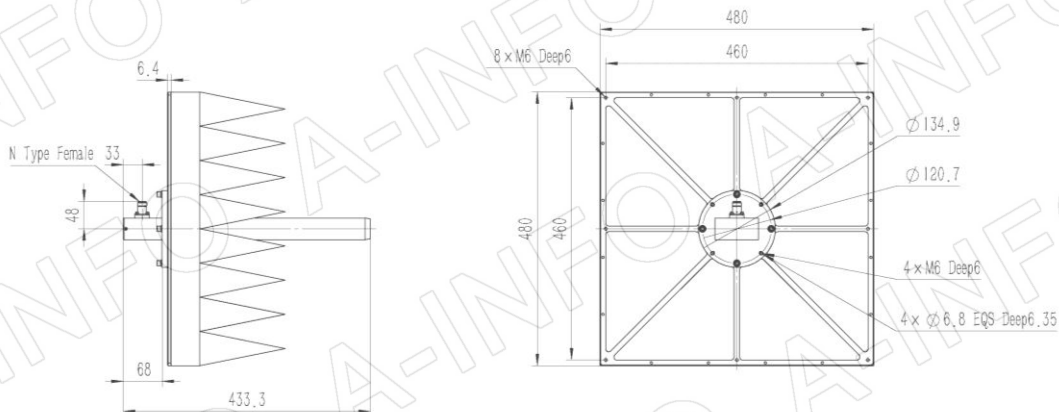
N-Female Output (P/N: 284EWGN)

For SMA-Female or 7/16-Female output outline drawing, please contact A-INFO.



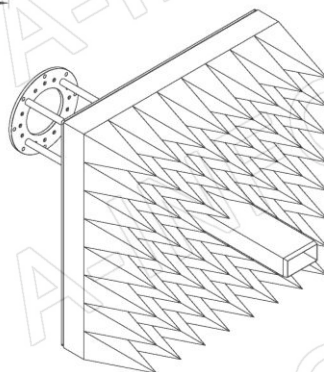
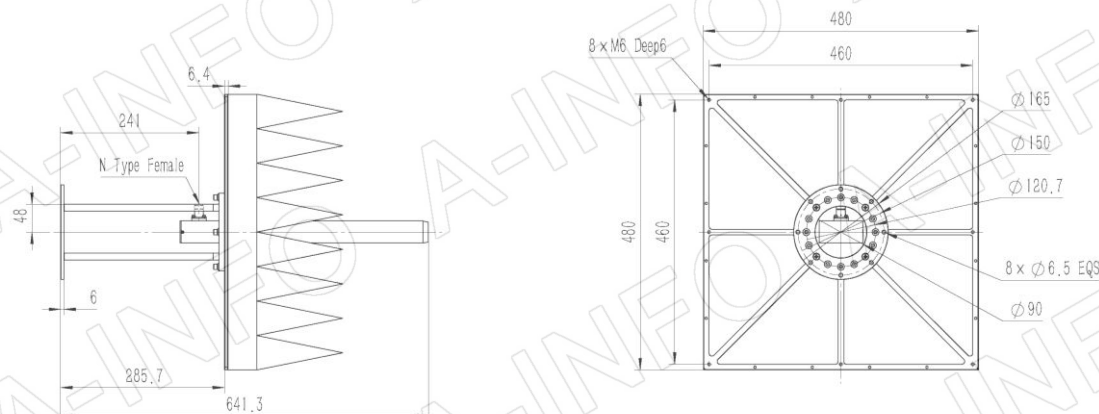
N-Female Output, Equipped with Absorber (Option, P/N: 284EWGN-A1)

For SMA-Female or 7/16-Female output outline drawing, please contact A-INFO.



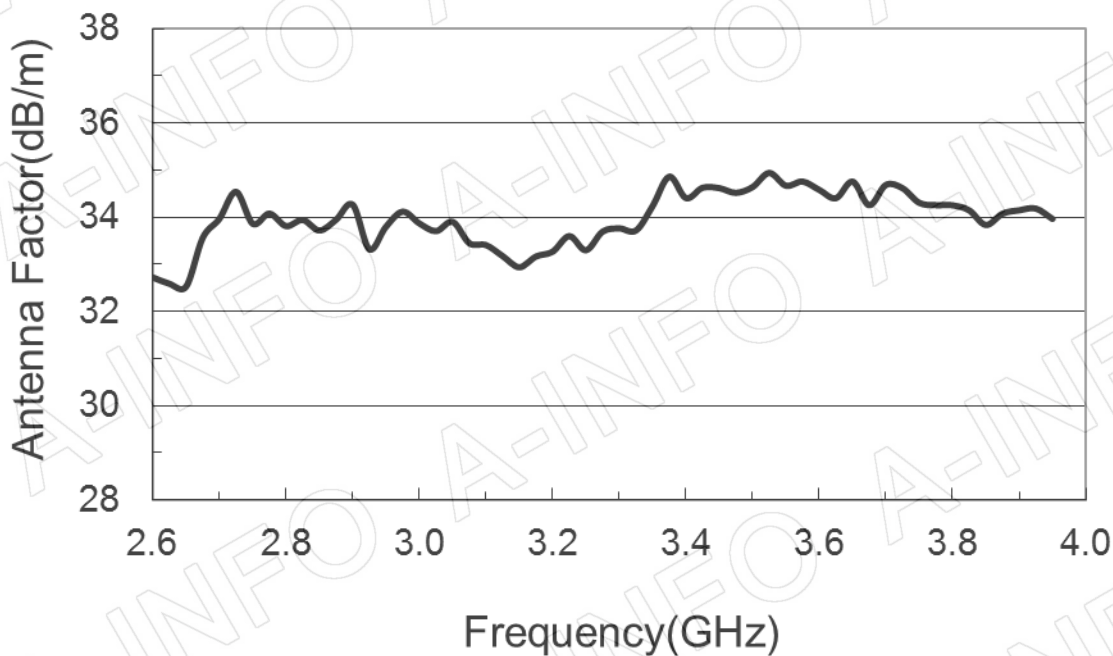
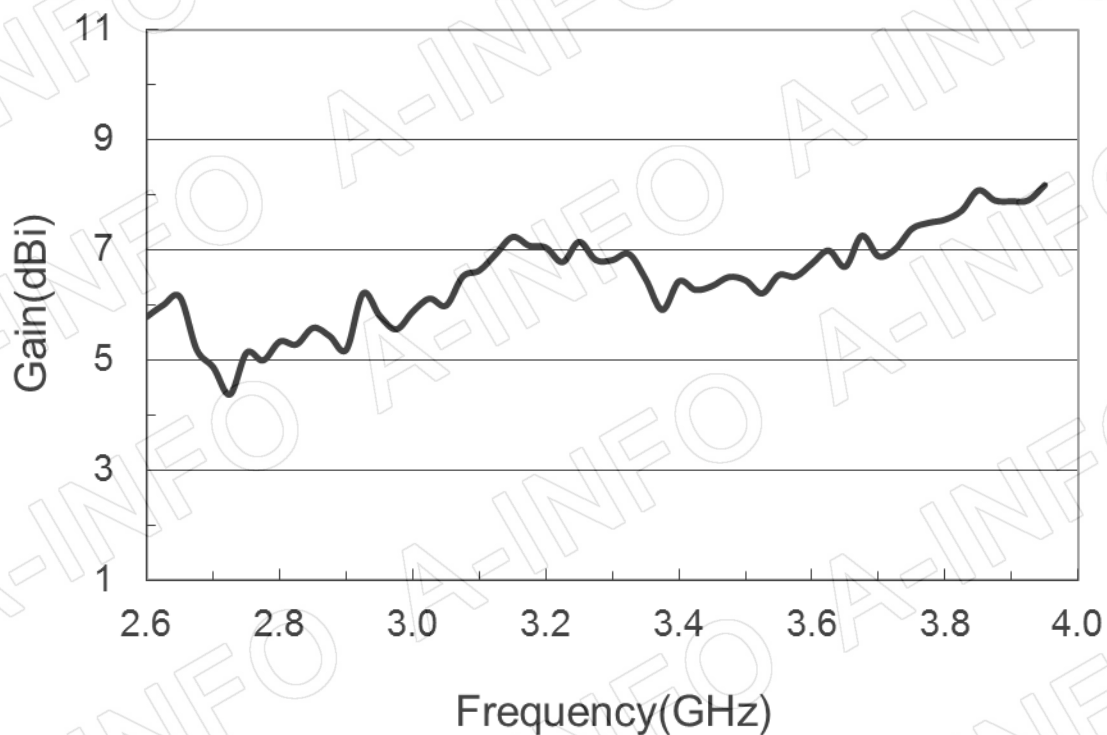
N-Female Output with Round Mounting Bracket & Equipped with Absorber (Option, P/N: EWG-MB10 & 284EWGN-A1)

For SMA-Female or 7/16-Female output outline drawing, please contact A-INFO.

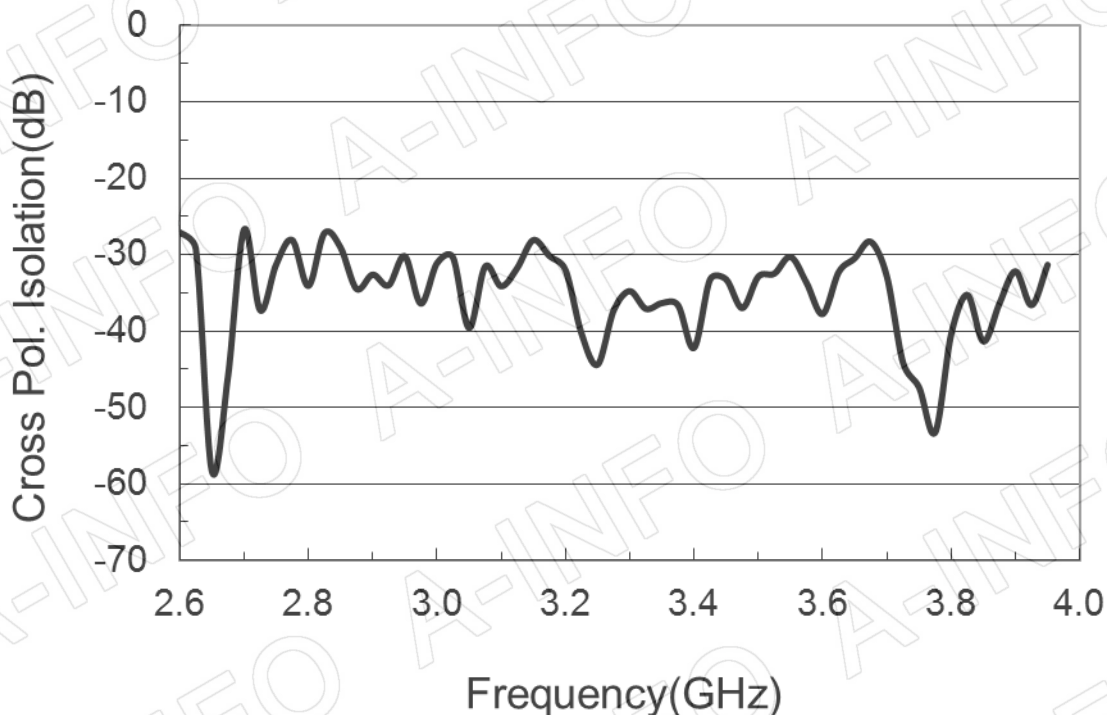


Test Results

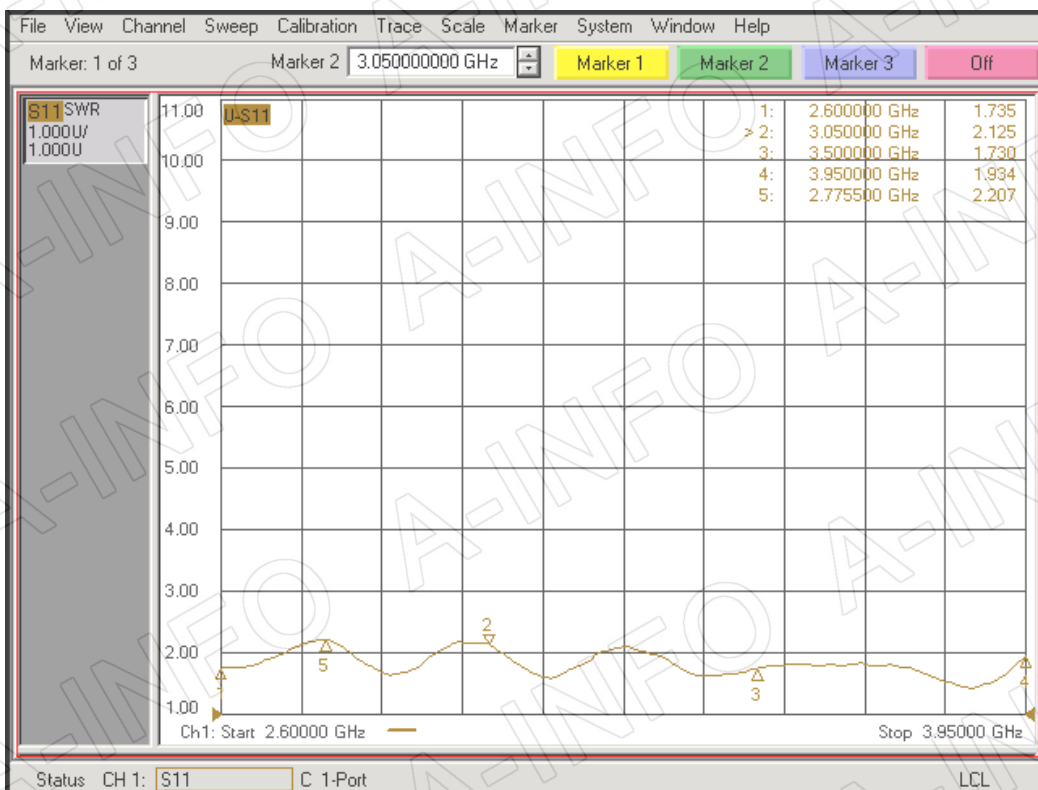
1. Gain & Antenna Factor



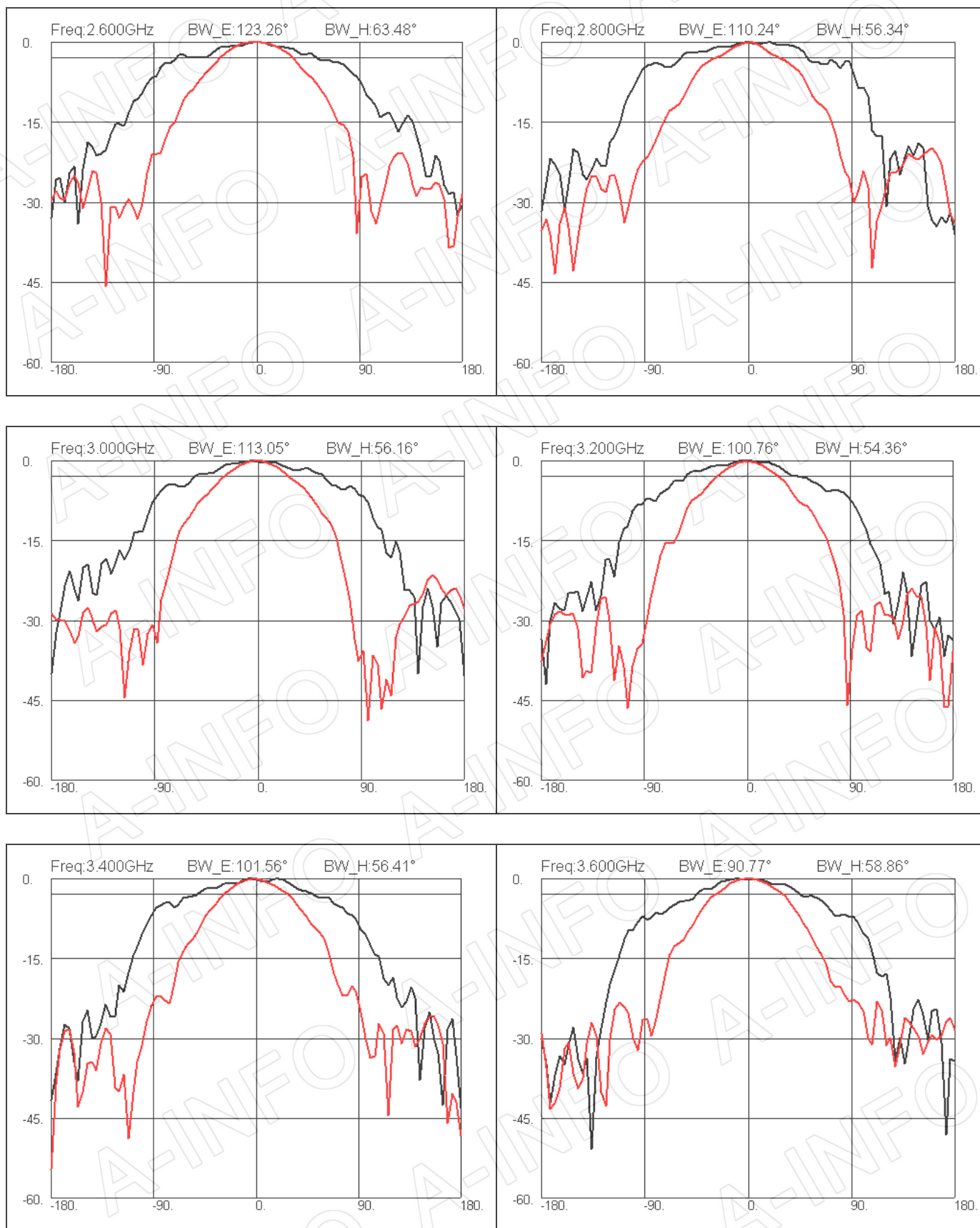
2. Cross Polarization Isolation



3. VSWR



4. Pattern



AINFO Inc.

China(Beijing): Tel: (+86) 10-6266-7326,
China(Chengdu): Tel: (+86) 28-8519-2786,
USA: Tel: (+1) 949-639-9688,

Page 5 of 6

(+86) 10-6266-7327 Fax: (+86) 10-6266-7379
(+86) 28-8519-3044 Fax: (+86) 28-8519-3068
(+1) 949-639-9608 Fax: (+1) 949-639-9670

Website: www.ainfoinc.com
Email: sales@ainfoinc.com

