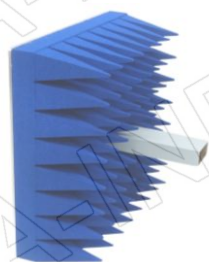


Technical Specification

284EWGEN



284EWGEN-A1

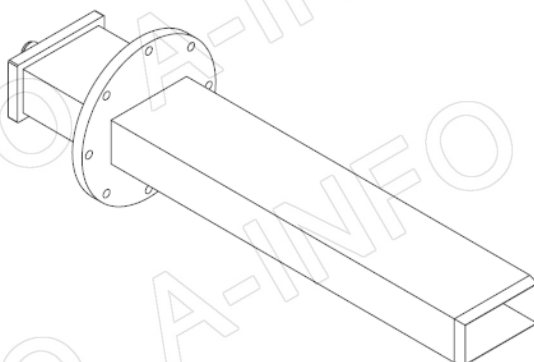
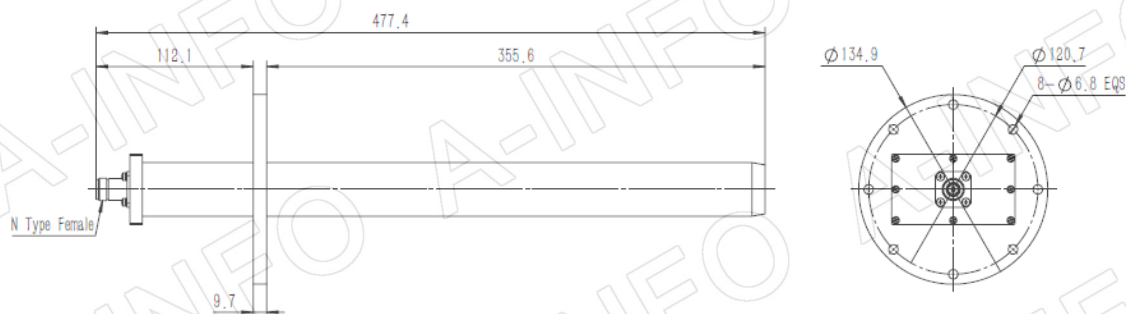


Frequency Range(GHz)	2.60 - 3.95	
Waveguide	WR284	
Gain(dBi)	5 Typ.	
Polarization	Linear	
3dB Beamwidth(deg)	E Plane:	94 Typ.
	H Plane:	60 Typ.
Cross Pol. Isolation(dB)	30 Typ.	
VSWR	2.0:1 Typ.	
Output	Endlaunch N-Female or Endlaunch SMA-Female	
Material	Al	
Size(mm)	284EWGEx:	134.9 x 134.9 x 477.4
	284EWGEx-A1:	480 x 480 x 477.4
Net Weight(Kg)	284EWGEx:	1.0 Around
	284EWGEx-A1:	4.87 Around

Outline Drawing (Size: mm)

Endlaunch N-Female Output (P/N: 284EWGEN)

For Endlaunch SMA-Female output outline drawing, please contact A-INFO.



AINFO Inc.

China(Beijing): Tel: (+86) 10-6266-7326,
China(Chengdu): Tel: (+86) 28-8519-2786,
USA: Tel: (+1) 949-639-9688,

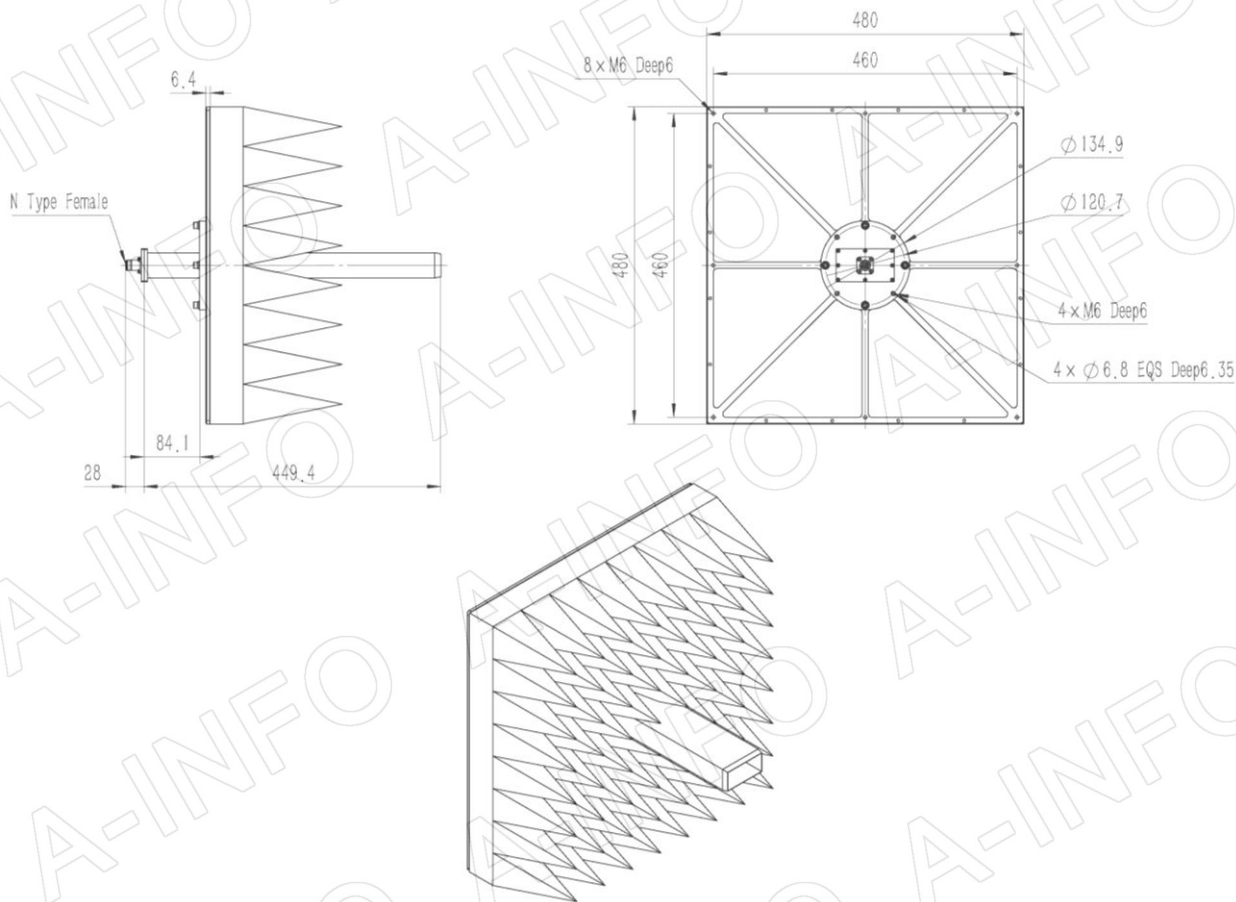
(+86) 10-6266-7327 Fax: (+86) 10-6266-7379
(+86) 28-8519-3044 Fax: (+86) 28-8519-3068
(+1) 949-639-9608 Fax: (+1) 949-639-9670

Page 1 of 6

Website: www.ainfoinc.com
Email: sales@ainfoinc.com

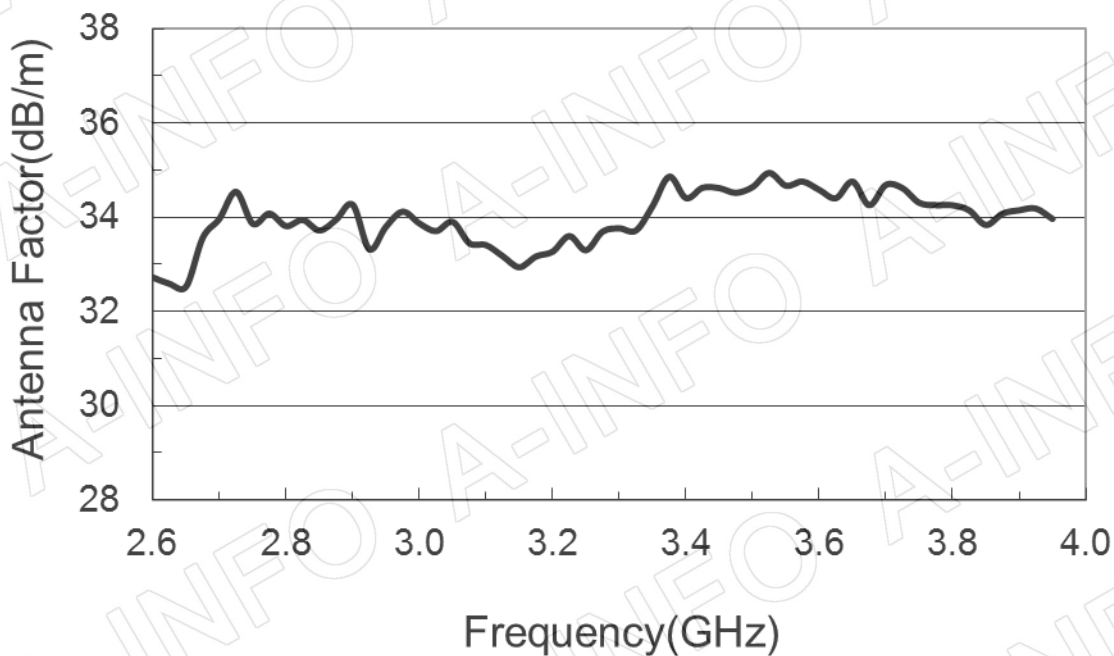
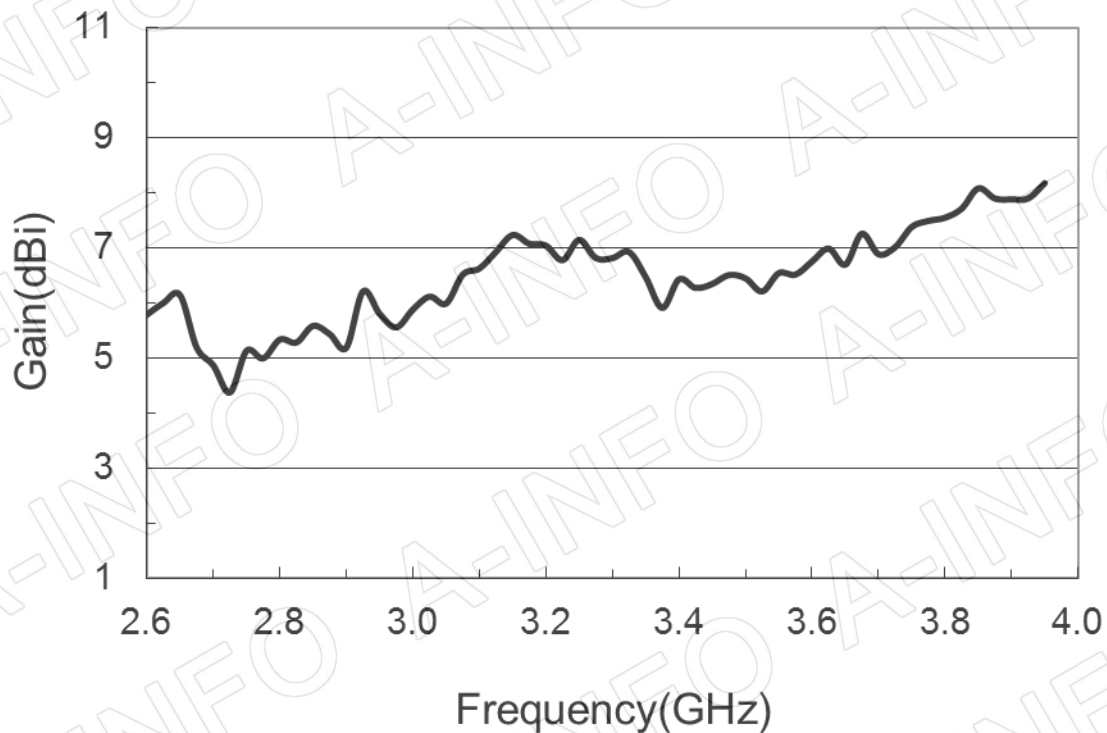
Endlaunch N-Female Output, Equipped with Absorber (Option, P/N: 284EWGEN-A1)

For Endlaunch SMA-Female output outline drawing, please contact A-INFO.

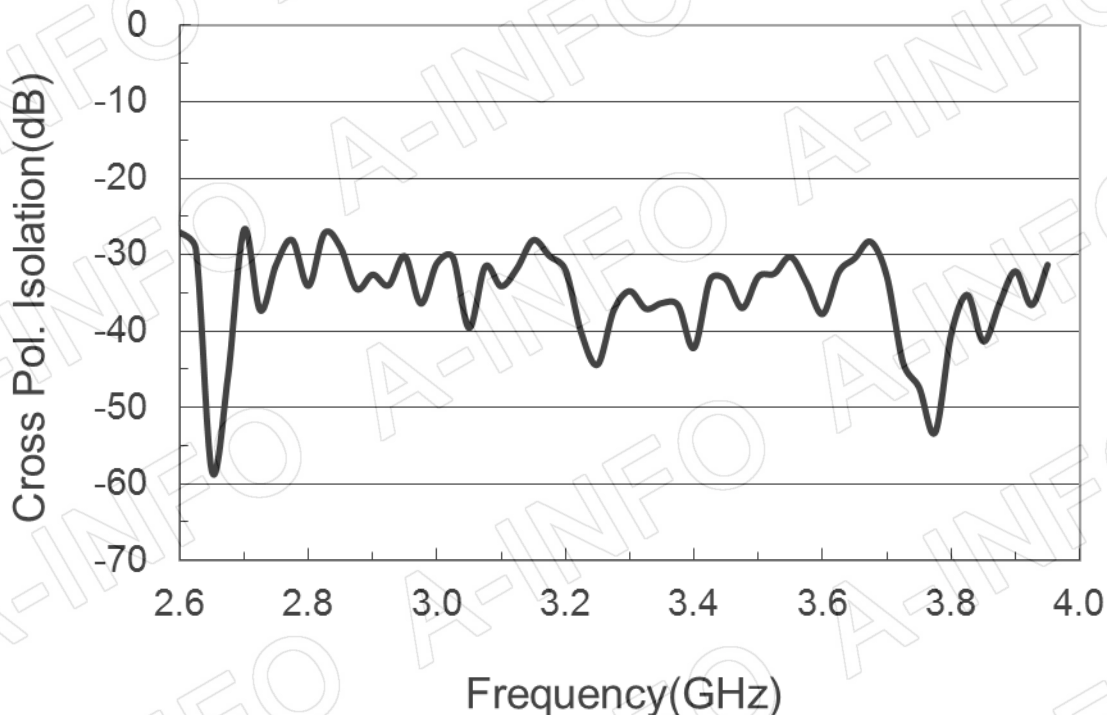


Test Results

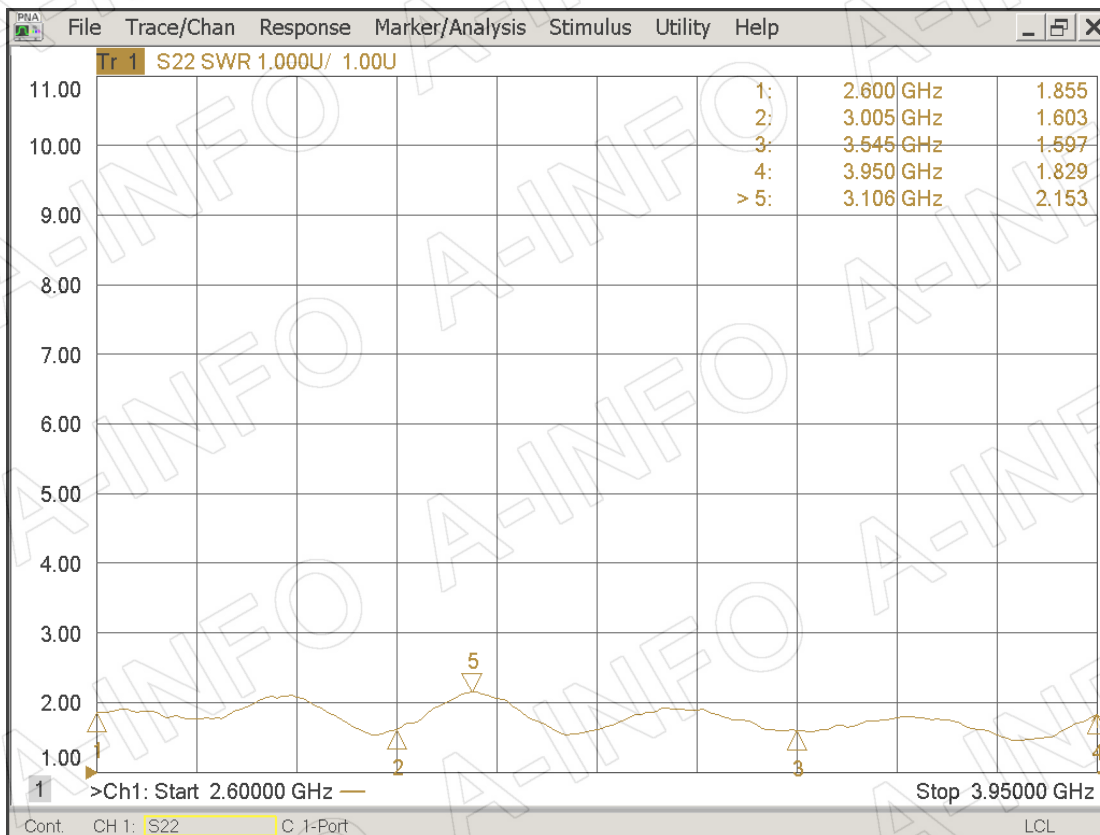
1. Gain & Antenna Factor



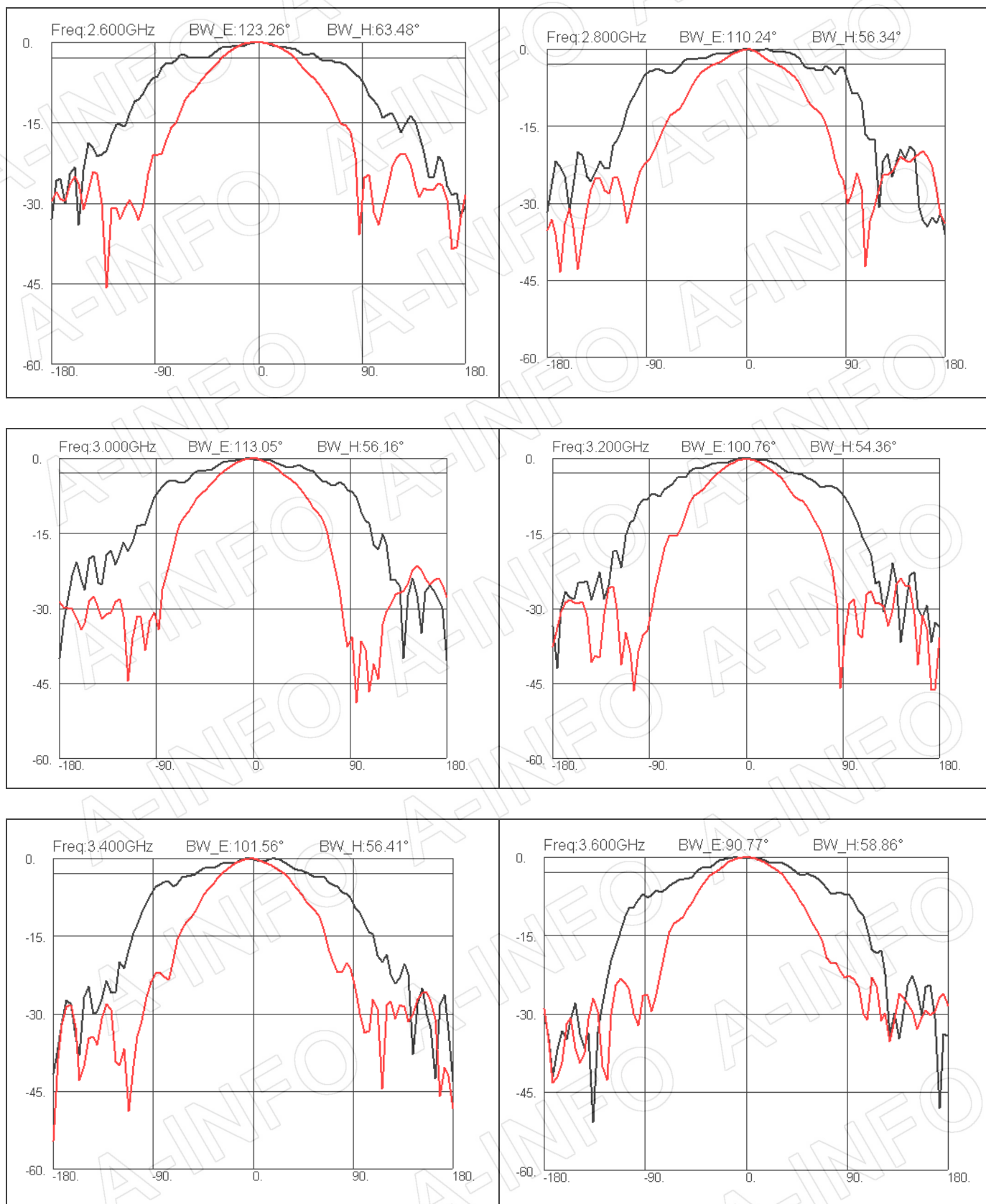
2. Cross Polarization Isolation



3. VSWR



4. Pattern



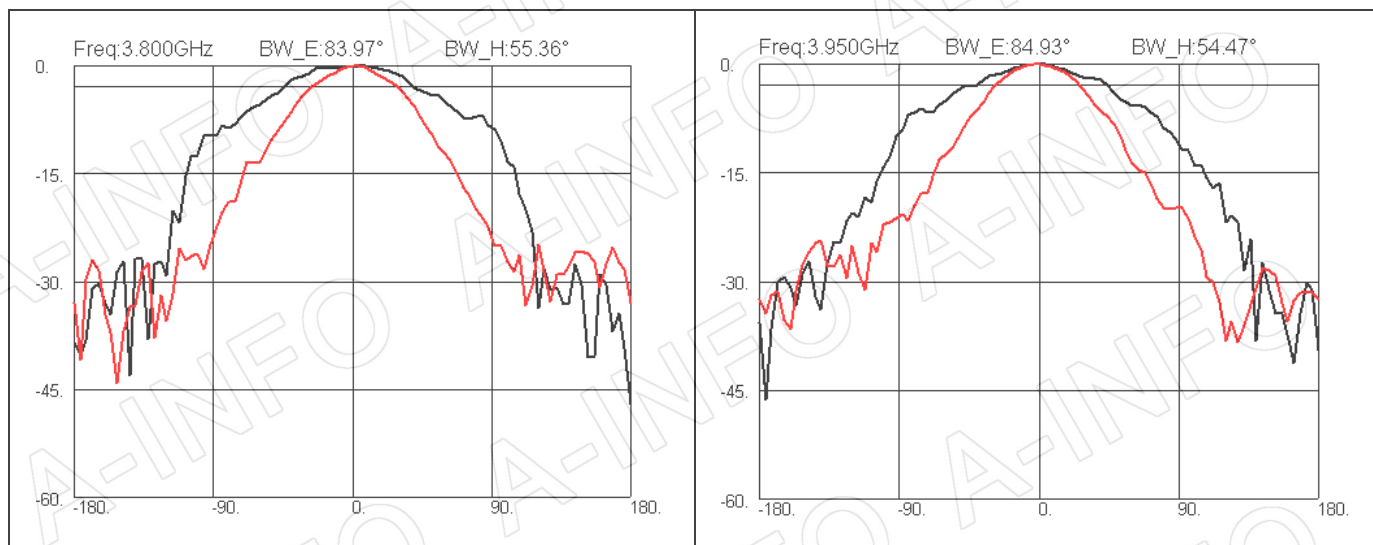
AINFO Inc.

China(Beijing): Tel: (+86) 10-6266-7326,
China(Chengdu): Tel: (+86) 28-8519-2786,
USA: Tel: (+1) 949-639-9688,

(+86) 10-6266-7327
(+86) 28-8519-3044
(+1) 949-639-9608

Fax: (+86) 10-6266-7379
Fax: (+86) 28-8519-3068
Fax: (+1) 949-639-9670

Website: www.ainfoinc.com
Email: sales@ainfoinc.com



AINFO Inc.

China(Beijing): Tel: (+86) 10-6266-7326,
China(Chengdu): Tel: (+86) 28-8519-2786,
USA: Tel: (+1) 949-639-9688,

Page 6 of 6

(+86) 10-6266-7327 Fax: (+86) 10-6266-7379
(+86) 28-8519-3044 Fax: (+86) 28-8519-3068
(+1) 949-639-9608 Fax: (+1) 949-639-9670

Website: www.ainfoinc.com
Email: sales@ainfoinc.com