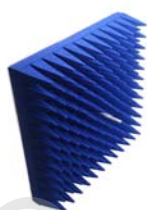


## Technical Specification

22EWGE2.4



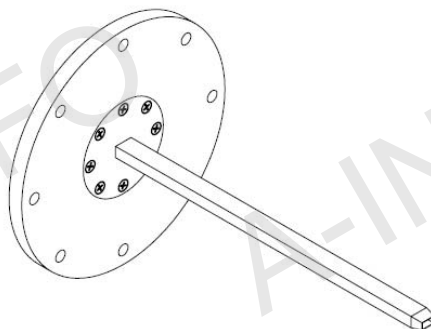
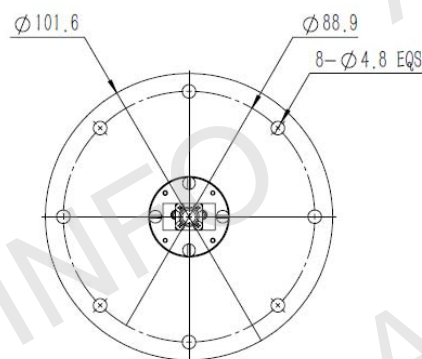
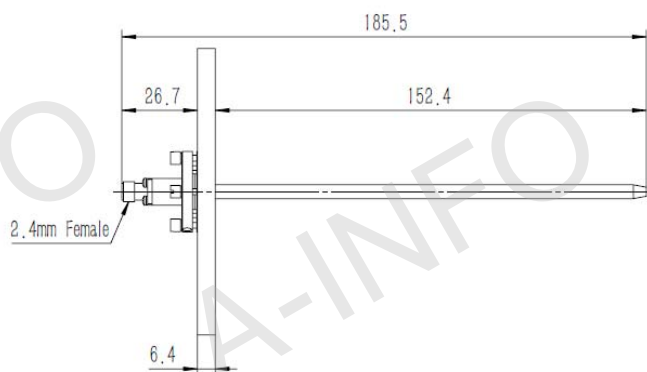
22EWGE2.4-A1



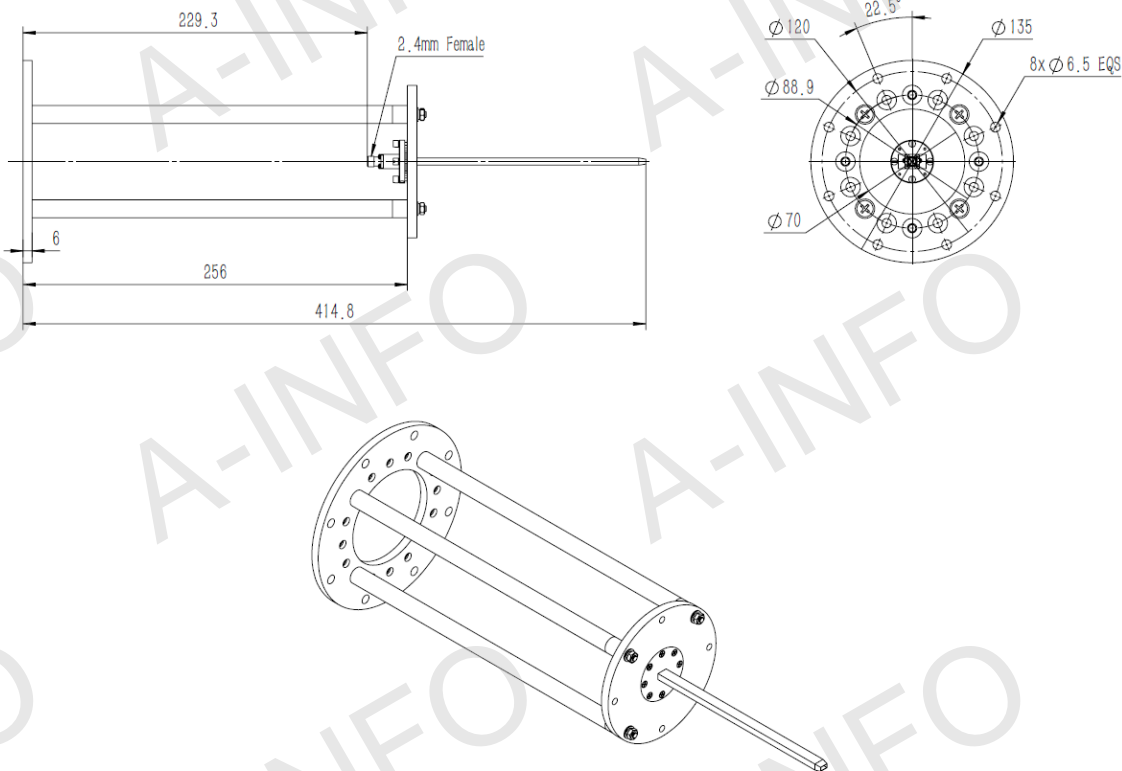
Frequency Range(GHz)	33.0 - 50.0	
Waveguide	WR22	
Gain(dBi)	5.0 Typ.	
Polarization	Linear	
3dB Beamwidth(deg)	E Plane:	93 Typ.
	H Plane:	63 Typ.
Cross Pol. Isolation(dB)	35 Typ.	
VSWR	1.5:1 Typ.	
Output	Endlaunch 2.4mm-Female	
Material	Cu	
Size(mm)	22EWGE2.4:	101.6 x 101.6 x 185.5
	22EWGE2.4-A1:	399.6 x 399.6 x 185.5
Net Weight(Kg)	22EWGE2.4:	0.25 Around
	22EWGE2.4-A1:	2.5 Around

## Outline Drawing (Size: mm)

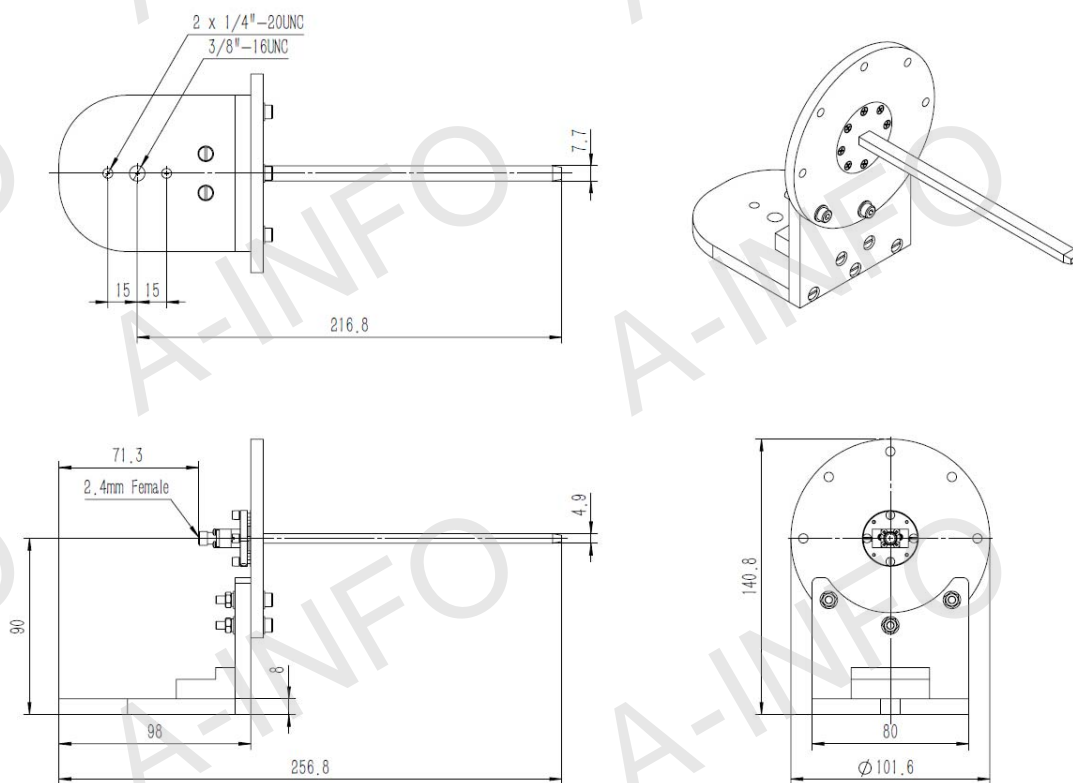
22EWGE2.4 (With Endlaunch 2.4mm-Female Output)



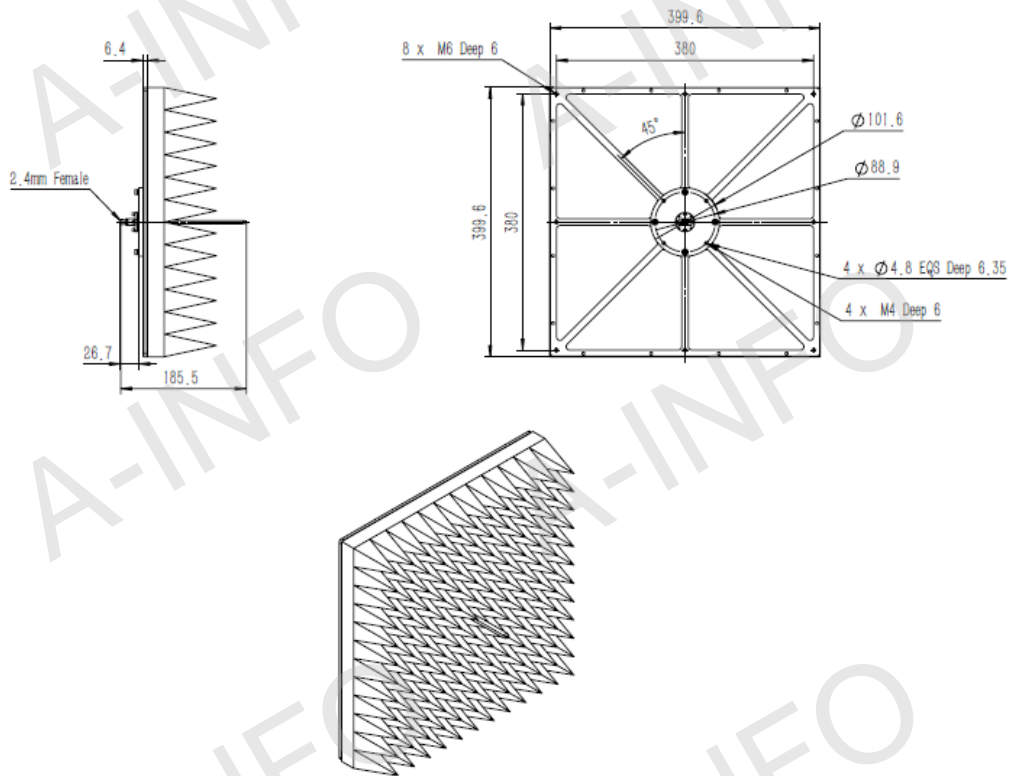
**22EWGE2.4 (With Endlaunch 2.4mm-Female Output & Round Mounting Bracket)**



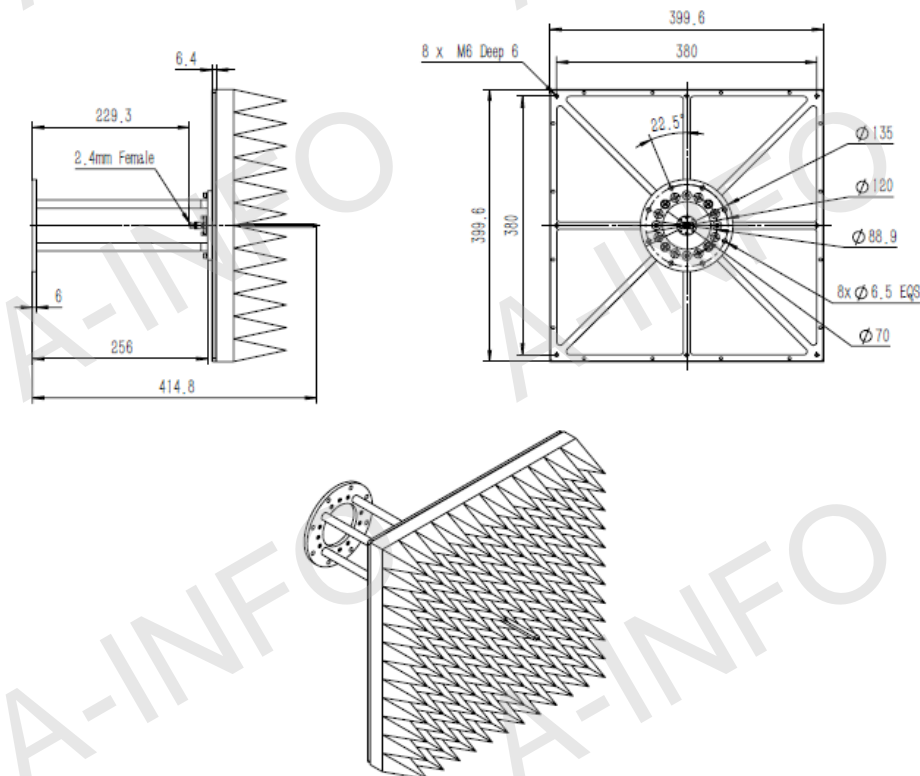
**22EWGE2.4 (With Endlaunch 2.4mm-Female Output & L Type Mounting Bracket)**



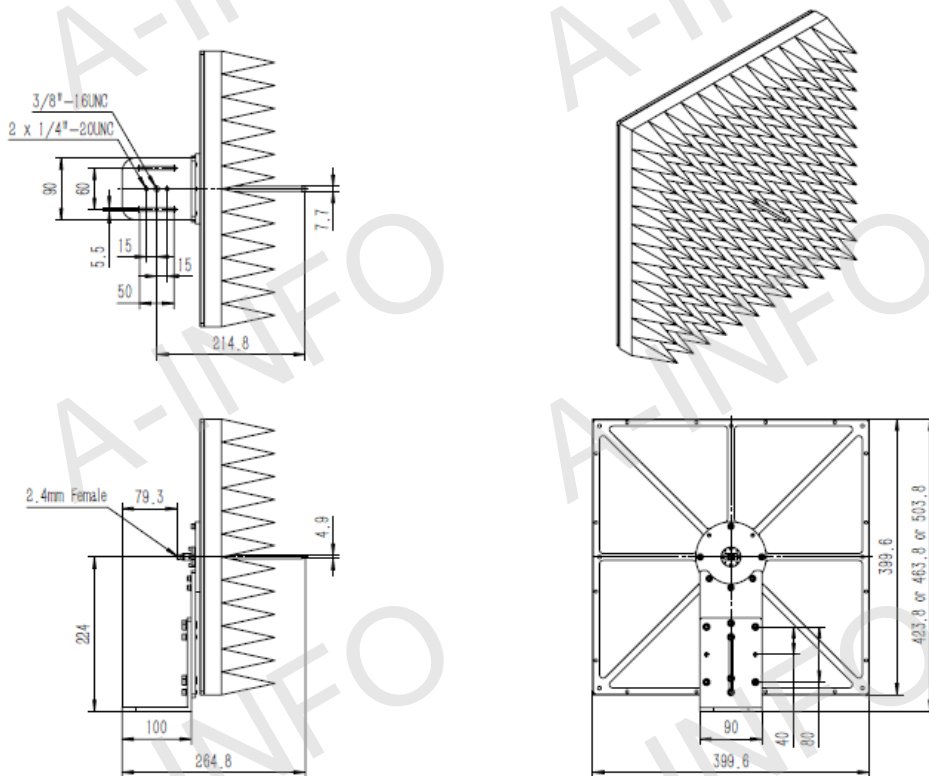
**22EWGE2.4-A1 (With Endlaunch 2.4mm-Female Output, Equipped with Absorber)**



**22EWGE2.4-A1 (With Endlaunch 2.4mm-Female Output & Round Mounting Bracket, Equipped with Absorber)**

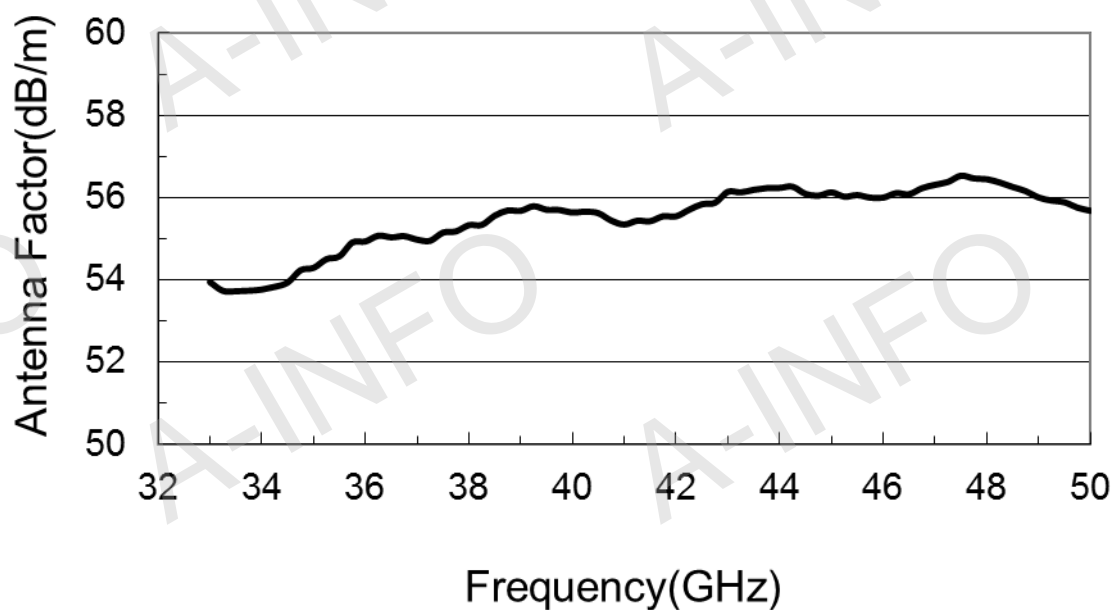
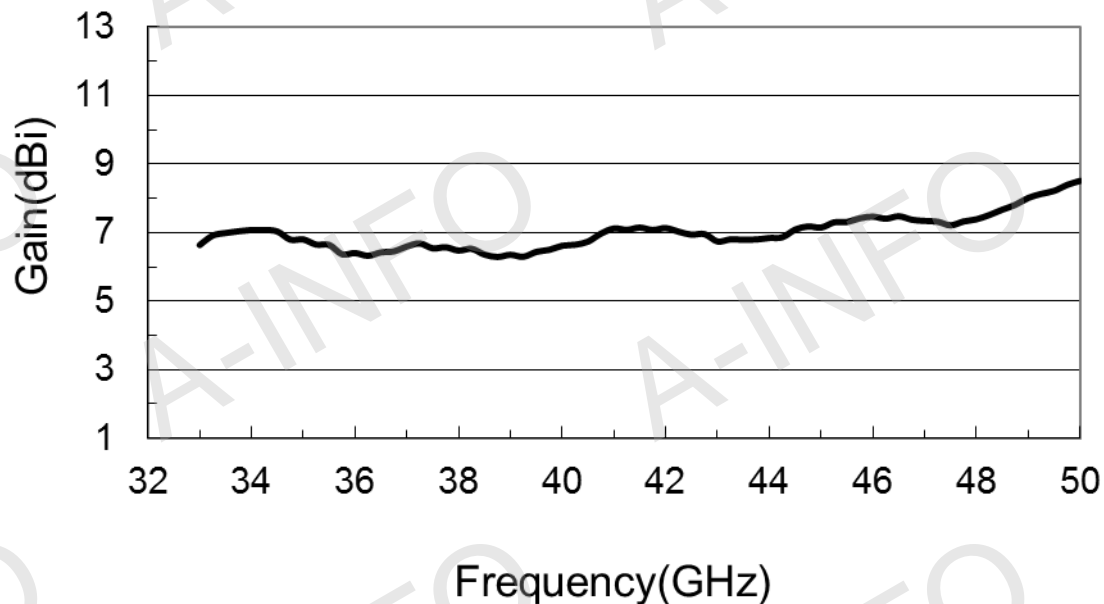


22EWGE2.4-A1 (With Endlaunch 2.4mm-Female Output & L Type Mounting Bracket, Equipped with Absorber)

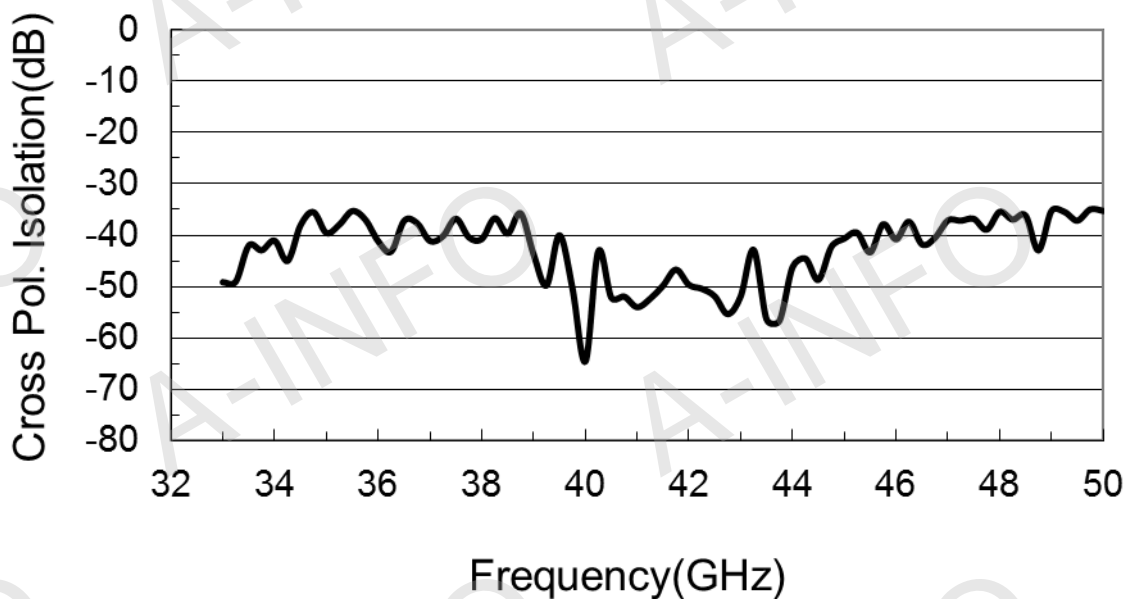


## Test Results

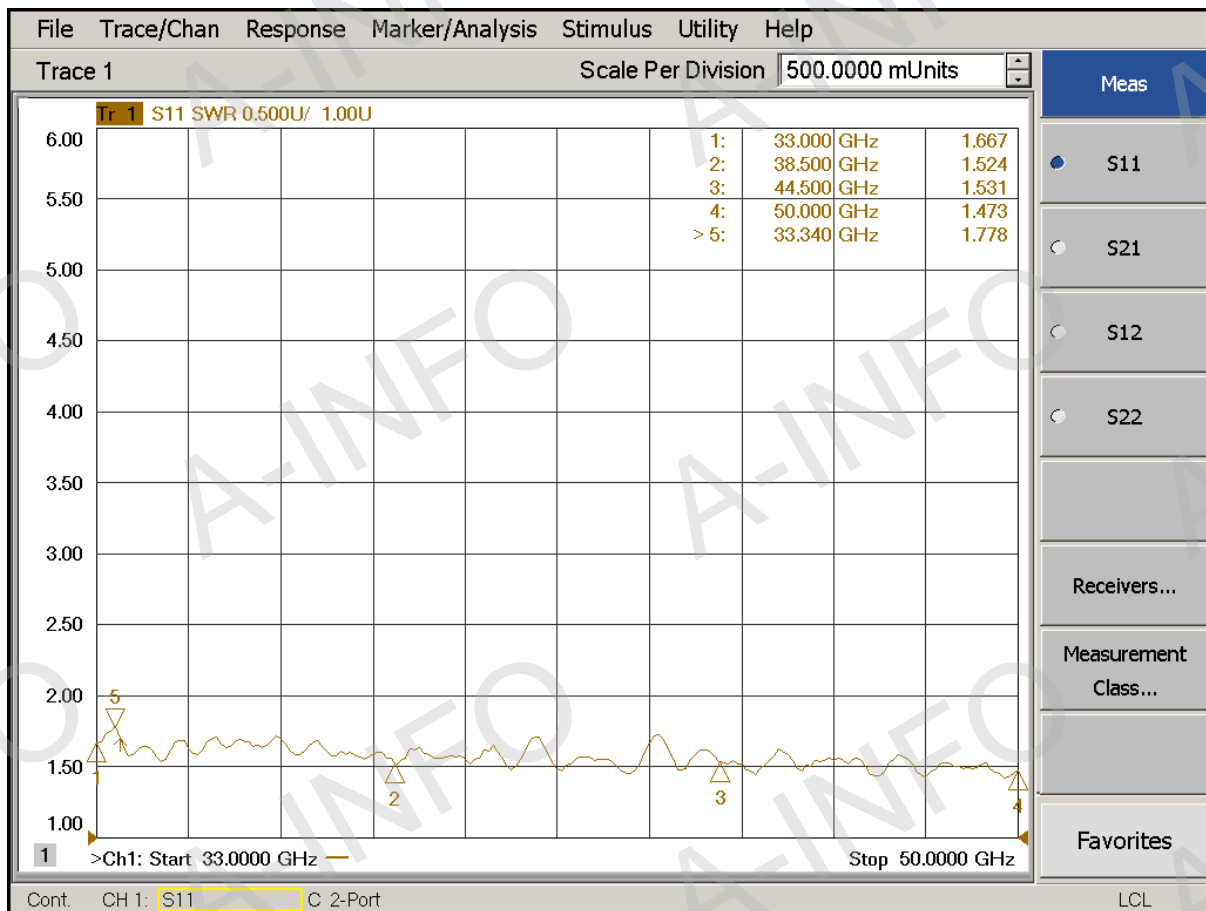
### 1. Gain & Antenna Factor



## 2. Cross Polarization Isolation



## 3. VSWR



## 4. Pattern

