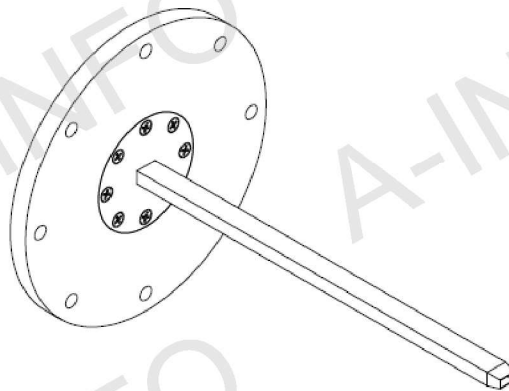
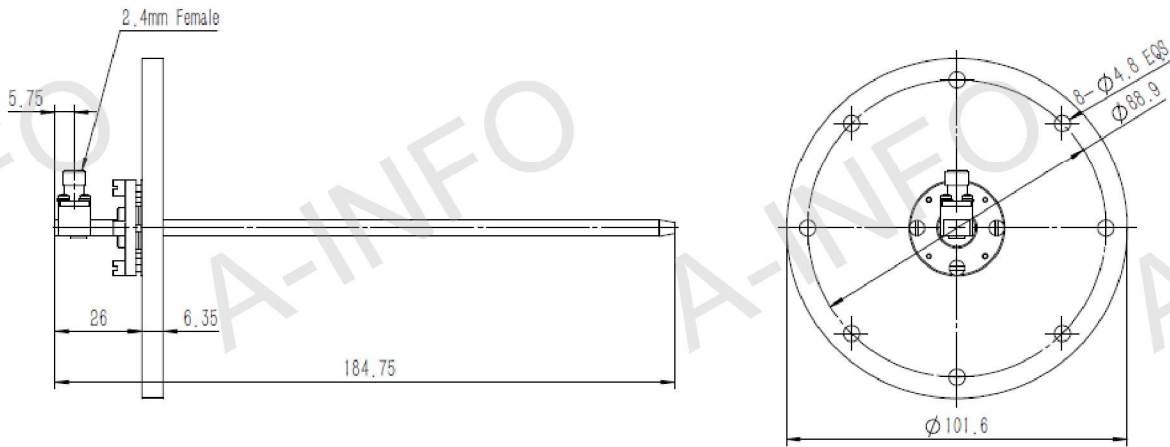


Technical Specification



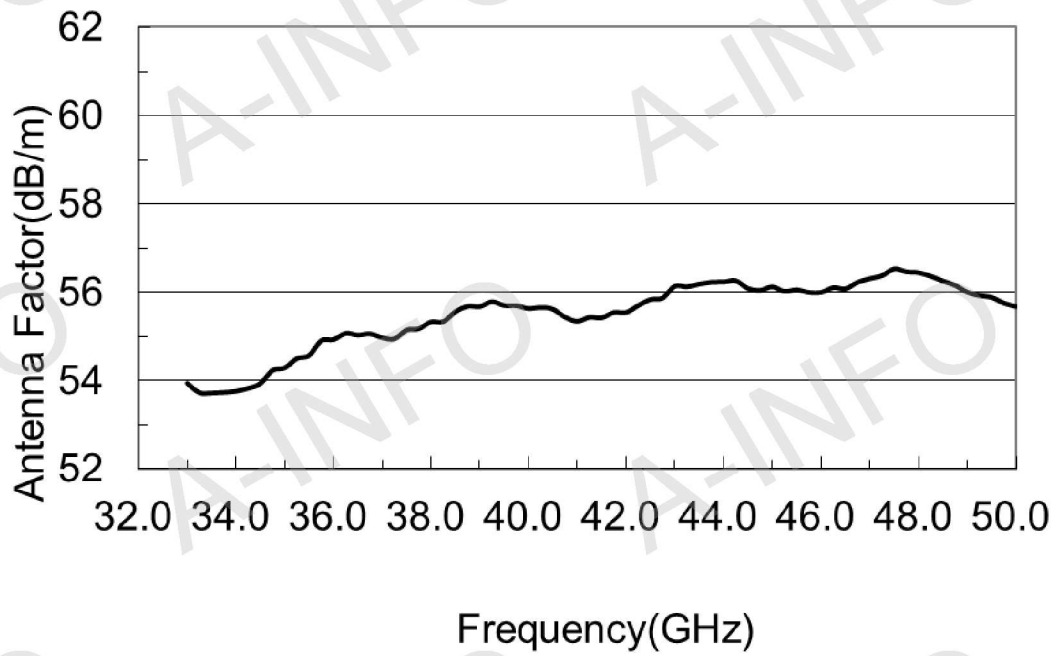
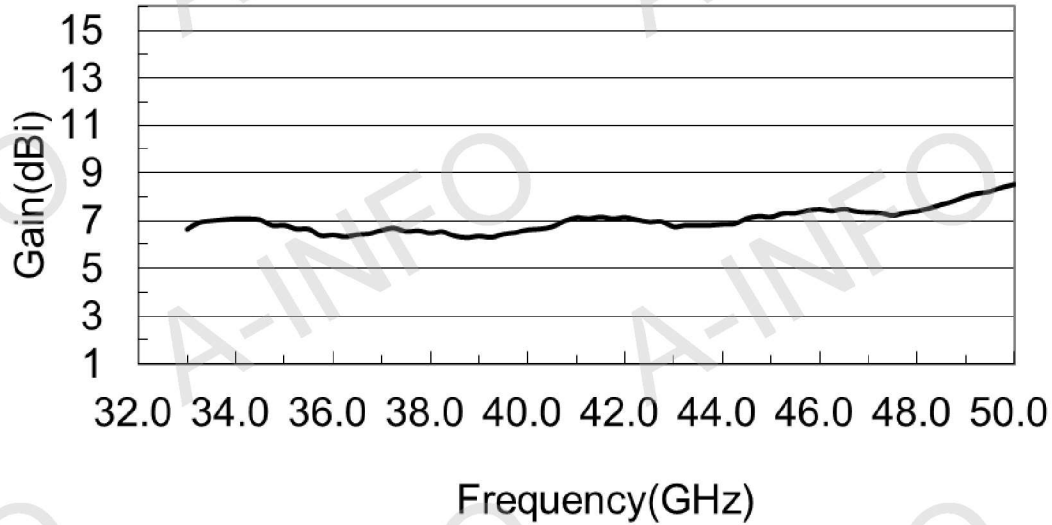
| | |
|----------------------|-------------|
| EIA WR | WR22 |
| Frequency Range(GHz) | 33.0 - 50.0 |
| Gain(dBi) | 7 Typ. |
| VSWR | 1.5 Typ. |
| Connector | 2.4mm-F |
| Material | Cu |
| Length(mm) | 184.75 |
| Net Weight(Kg) | 0.22 Around |

Outline Drawing (Size: mm)

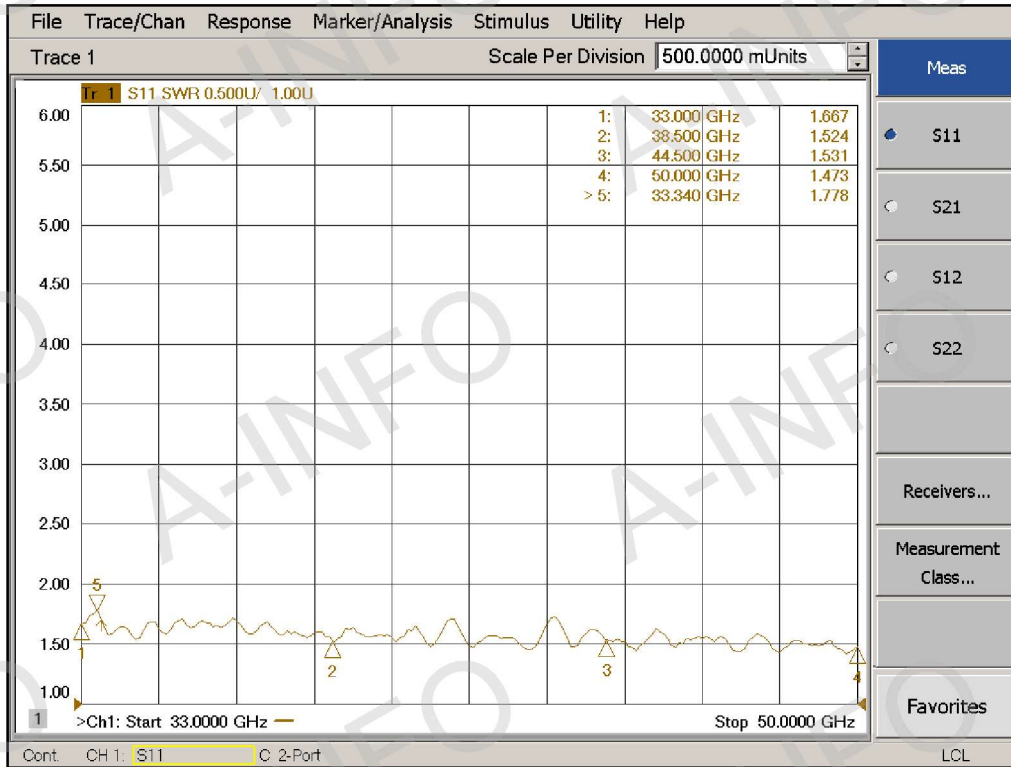


Test Results

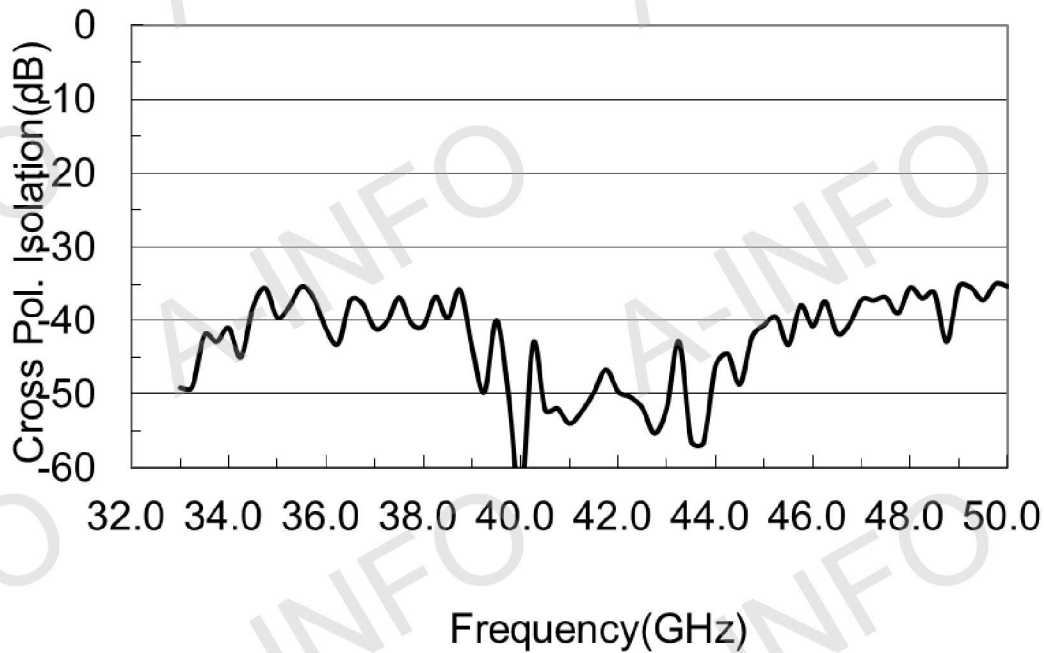
1. Gain & Antenna Factor



2. VSWR



3. Cross Polarization Isolation



4. Pattern

