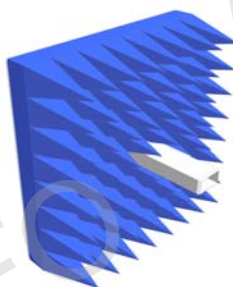


## Technical Specification



229EWGN-A1

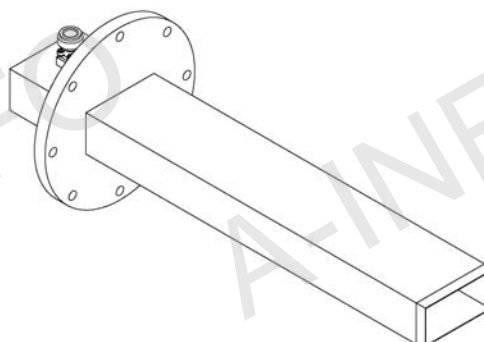
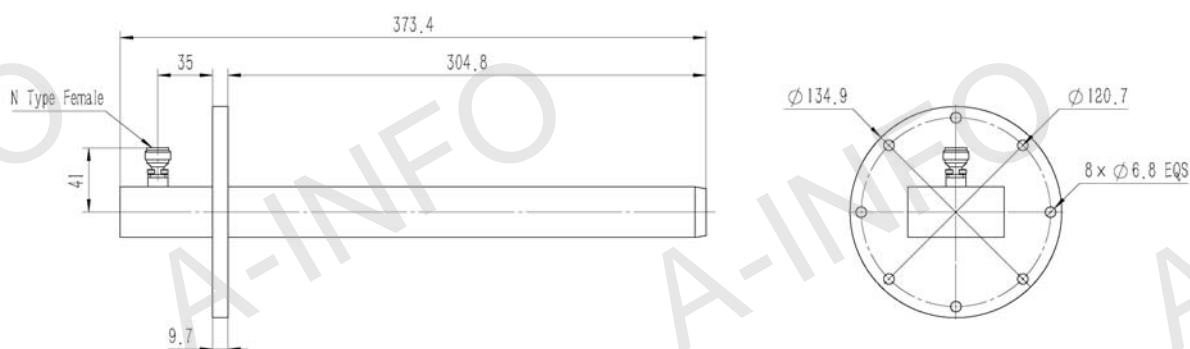


Frequency Range(GHz)	3.3 – 4.9
Waveguide	WR229
Gain(dBi)	5 Typ.
Polarization	Linear
3dB Beamwidth(deg)	E Plane: 91 Typ.
	H Plane: 63 Typ.
Cross Pol. Isolation(dB)	30 Typ.
VSWR	2.0:1 Typ.
Output	N-Female or SMA-Female or TNC-Female or 7mm or 3.5mm-Female
Material	Al
Size(mm)	229EWGN: 134.9 x 134.9 x 373.4
	229EWGN-A1: 480 x 480 x 373.4
Net Weight(Kg)	229EWGN: 0.65 Around
	229EWGN-A1: 4.30 Around

## Outline Drawing (Size: mm)

N-Female Output (P/N: 229EWGN)

For SMA-Female, TNC-Female, 7mm or 3.5mm-Female output outline drawing, please contact A-INFO.



AINFO Inc.

China(Beijing):  
China(Chengdu):  
USA :

Tel: (+86) 10-6266-7326,  
Tel: (+86) 28-8519-2786,  
Tel: (+1) 949-639-9688,

(+86) 10-6266-7327  
(+86) 28-8519-3044  
(+1) 949-639-9608

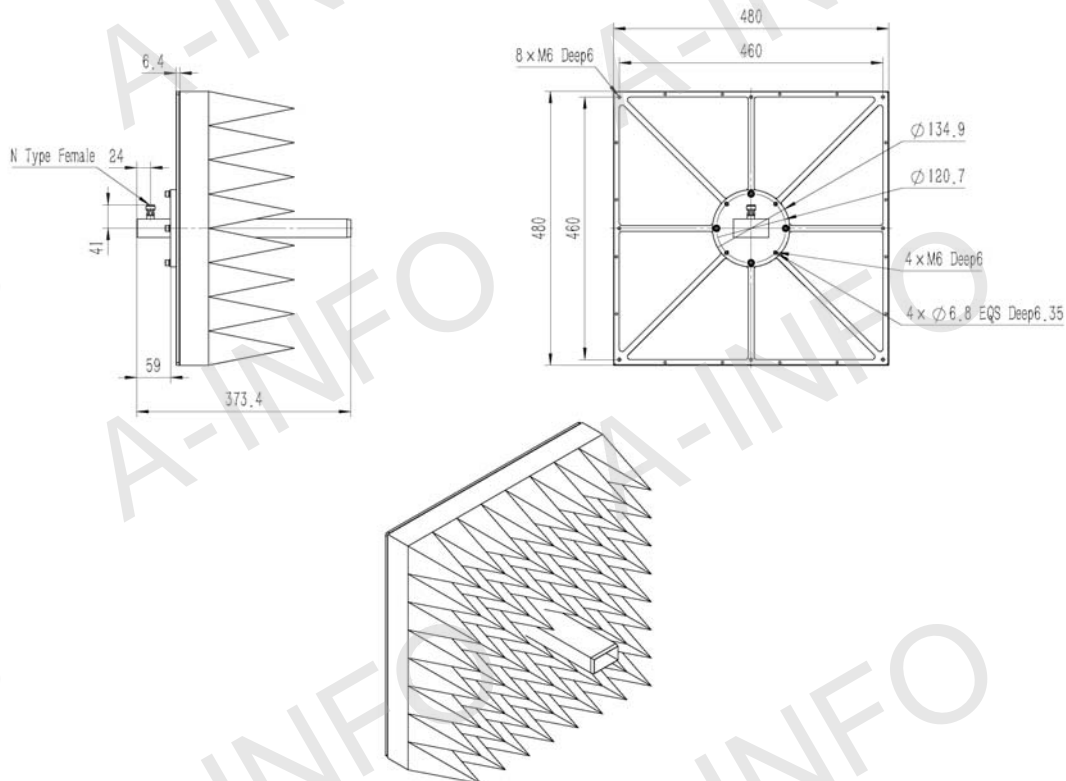
Page 1 of 3

Fax: (+86) 10-6266-7379  
Fax: (+86) 28-8519-3068  
Fax: (+1) 949-639-9670

Website: [www.ainfoinc.com](http://www.ainfoinc.com)  
Email: [sales@ainfoinc.com](mailto:sales@ainfoinc.com)

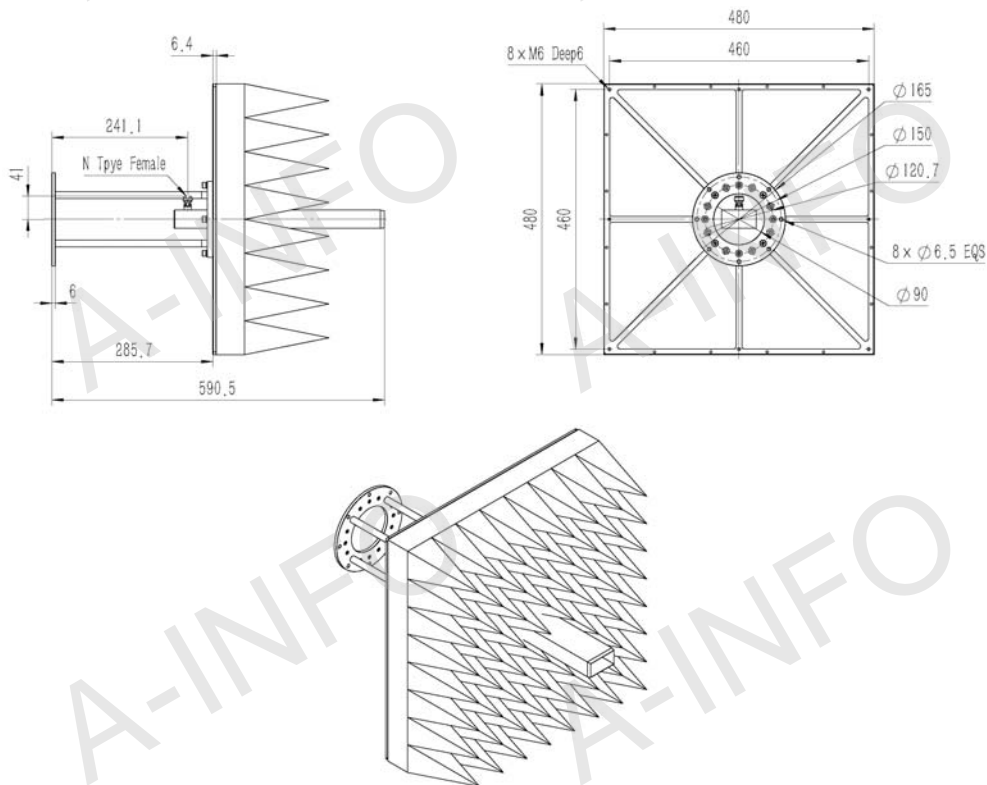
**N-Female Output, Equipped with Absorber (Option, P/N: 229EWGN-A1)**

For SMA-Female, TNC-Female, 7mm or 3.5mm-Female output outline drawing, please contact A-INFO.



**N-Female Output with Round Mounting Bracket & Equipped with Absorber (Option, P/N: EWG-MB10 & 229EWGN-A1)**

For SMA-Female, TNC-Female, 7mm or 3.5mm-Female output outline drawing, please contact A-INFO.



## Test Results

### VSWR

