

Technical Specification

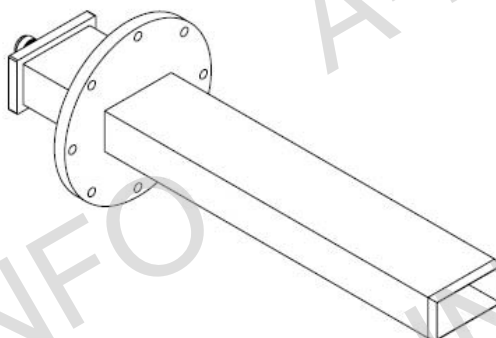
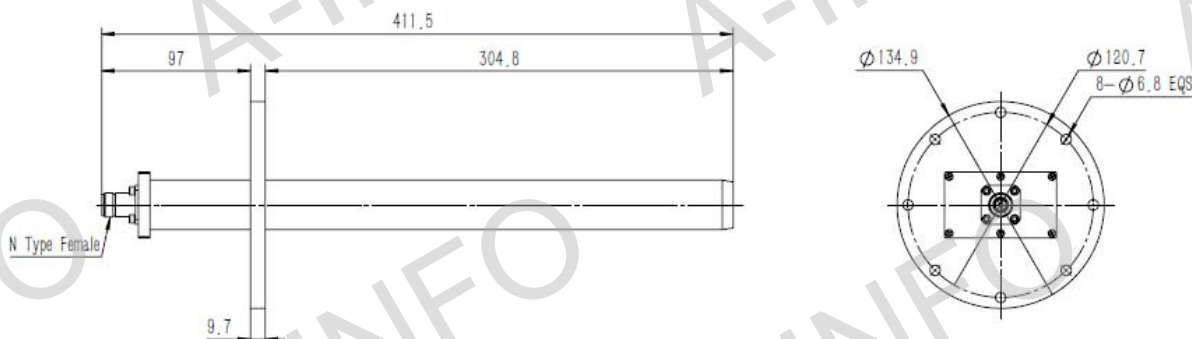


Frequency Range(GHz)	3.3 - 4.9
Waveguide	WR229
Gain(dBi)	5 Typ.
Polarization	Linear
3dB Beamwidth(deg)	E Plane: 91 Typ.
	H Plane: 63 Typ.
Cross Pol. Isolation(dB)	30 Typ.
VSWR	2.0:1 Typ.
Output	Endlaunch N-Female or Endlaunch SMA-Female
Material	Al
Size(mm)	134.9 x 134.9 x 411.5
Net Weight(Kg)	0.70 Around

Outline Drawing (Size: mm)

229EWGEN (With Endlaunch N-Female Output)

For Endlaunch SMA-Female output outline drawing, please contact A-INFO.



Test Results

VSWR

