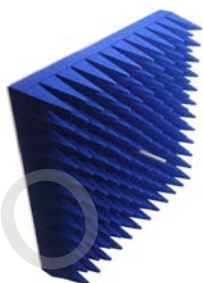


Technical Specification

19EWG1.85



19EWG1.85-A1

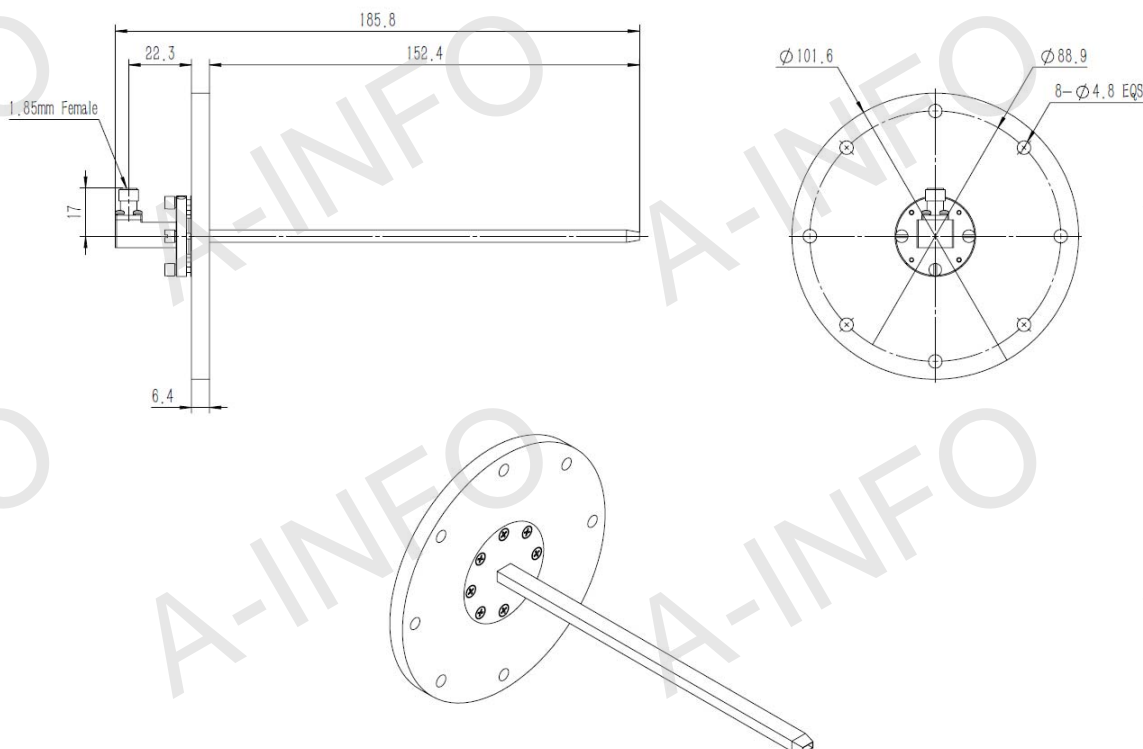


Frequency Range(GHz)	19EWG1.85:	40.0-60.0
	19EWG2.4:	40.0-50.0
	19EWG1.85-A1:	40.0-60.0
	19EWG2.4-A1:	40.0-50.0
Waveguide	WR19	
Gain(dBi)	5 Typ.	
Polarization	Linear	
3dB Beamwidth(deg)	E Plane:	89 Typ.
	H Plane:	70 Typ.
Cross Pol. Isolation(dB)	35 Typ.	
VSWR	1.5:1 Typ.	
Output	1.85mm-Female	
	or 2.4mm-Female	
Material	Cu	
Size(mm)	19EWGx:	101.6 x 101.6 x 185.8
	19EWGx-A1:	399.6 x 399.6 x 185.8
Net Weight(Kg)	19EWGx:	0.22 Around
	19EWGx-A1:	2.47 Around

Outline Drawing (Size: mm)

19EWG1.85 (With 1.85mm-Female Output)

For 2.4mm-Female output outline drawing, please contact A-INFO.



AINFO Inc.

China(Beijing):
China(Chengdu):
USA :

Tel: (+86) 10-6266-7326,
Tel: (+86) 28-8519-2786,
Tel: (+1) 949-639-9688,

(+86) 10-6266-7327
(+86) 28-8519-3044
(+1) 949-639-9608

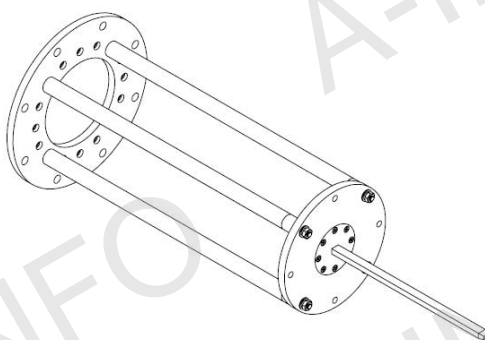
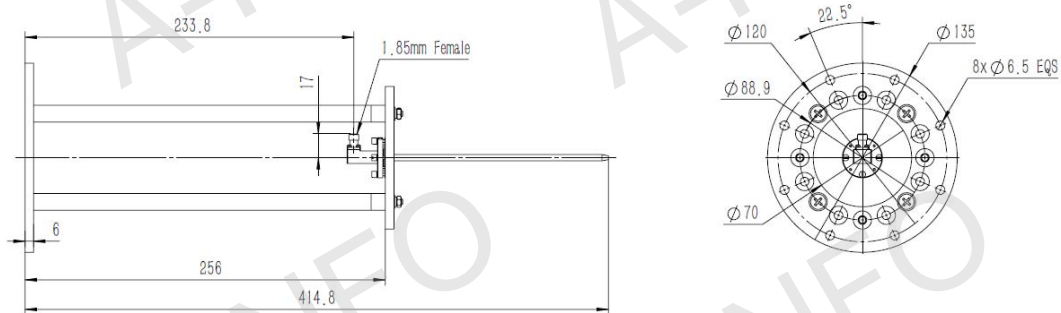
Page 1 of 13

Fax: (+86) 10-6266-7379
Fax: (+86) 28-8519-3068
Fax: (+1) 949-639-9670

Website: www.ainfoinc.com
Email: sales@ainfoinc.com

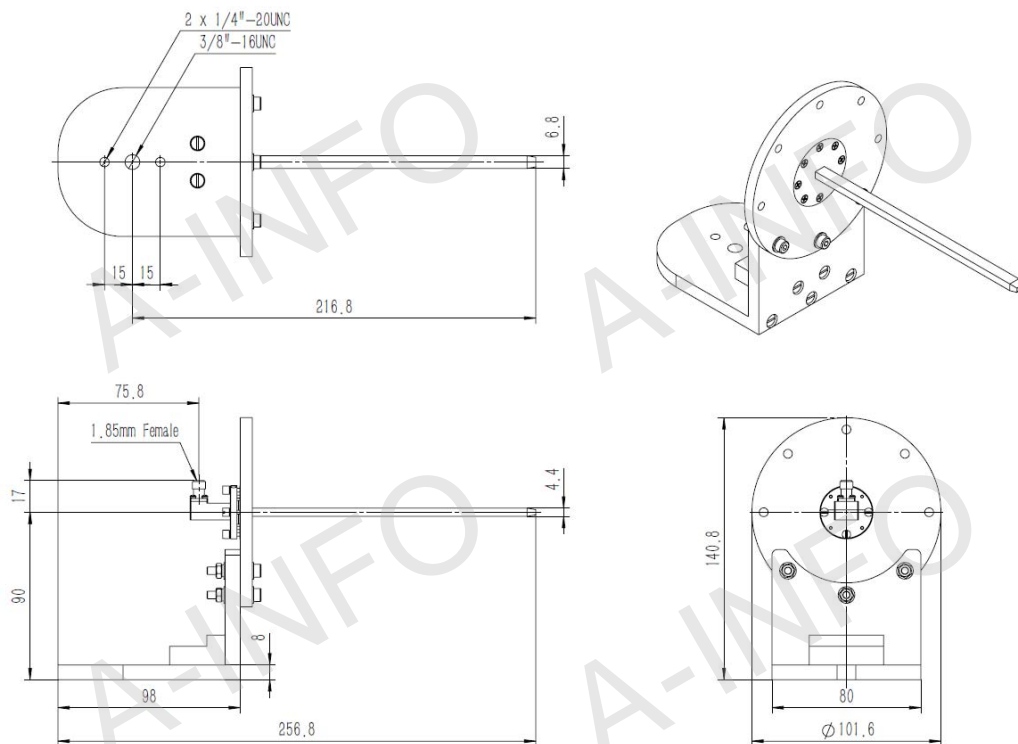
19EWG1.85 (With 1.85mm-Female Output & Round Mounting Bracket)

For 2.4mm-Female output outline drawing, please contact A-INFO.



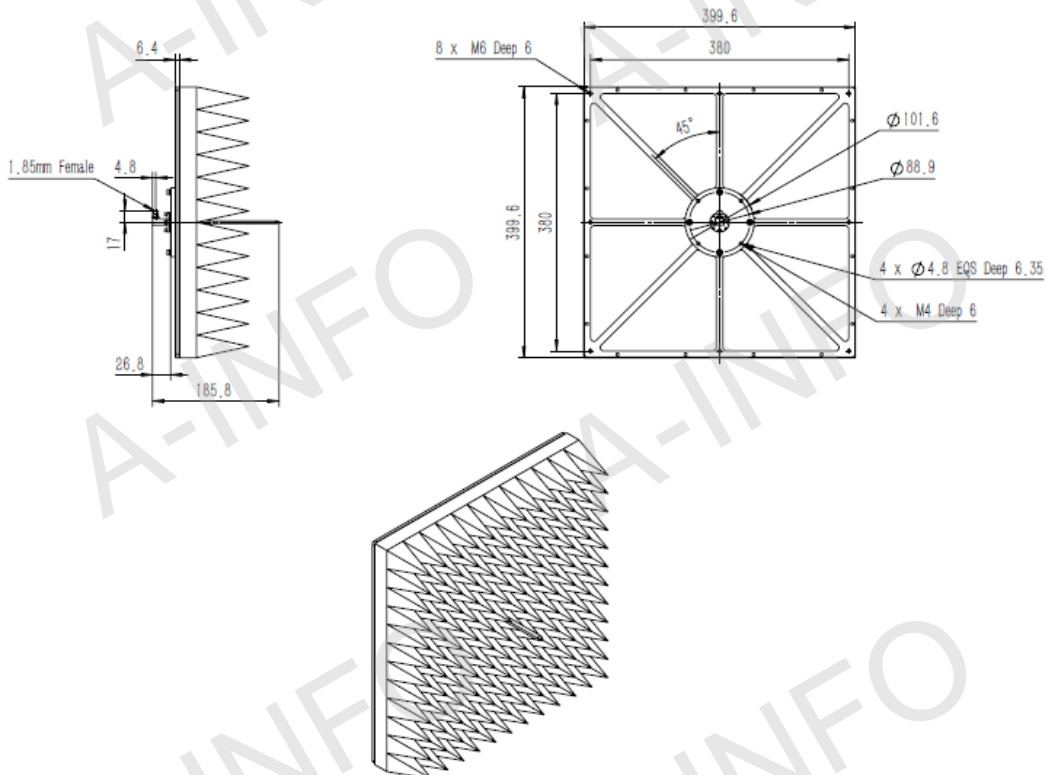
19EWG1.85 (With 1.85mm-Female Output & L Type Mounting Bracket)

For 2.4mm-Female output outline drawing, please contact A-INFO.



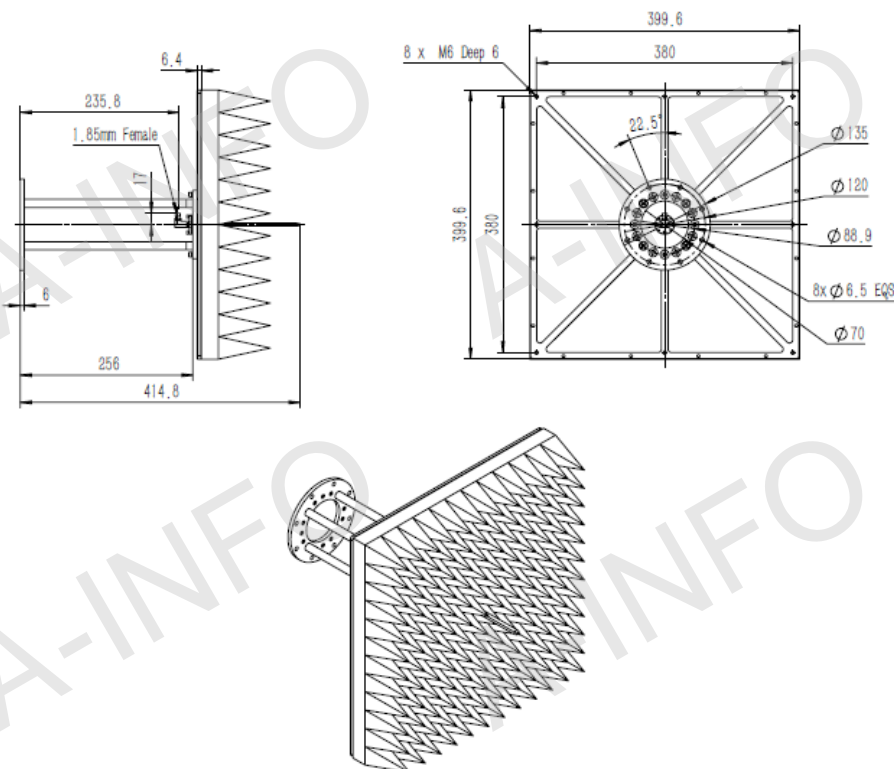
19EWG1.85-A1 (With 1.85mm-Female Output, Equipped with Absorber)

For 2.4mm-Female output outline drawing, please contact A-INFO.



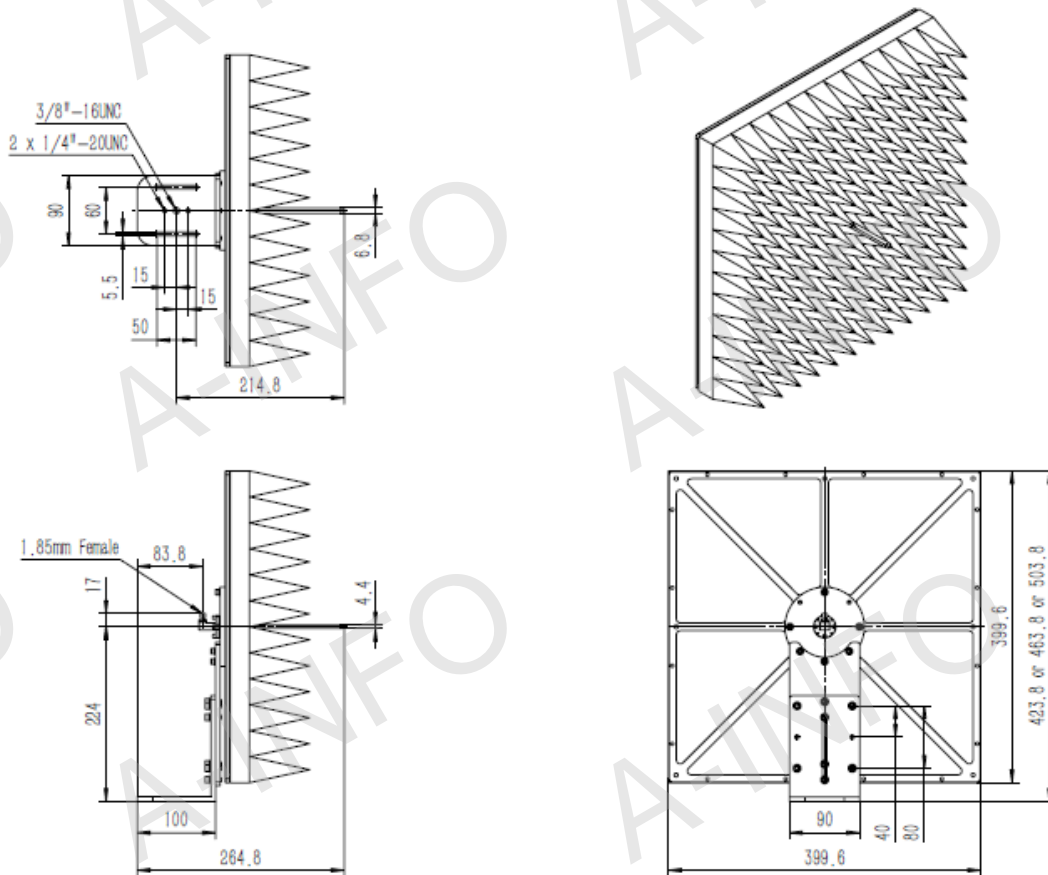
19EWG1.85-A1 (With 1.85mm-Female Output & Round Mounting Bracket, Equipped with Absorber)

For 2.4mm-Female output outline drawing, please contact A-INFO.



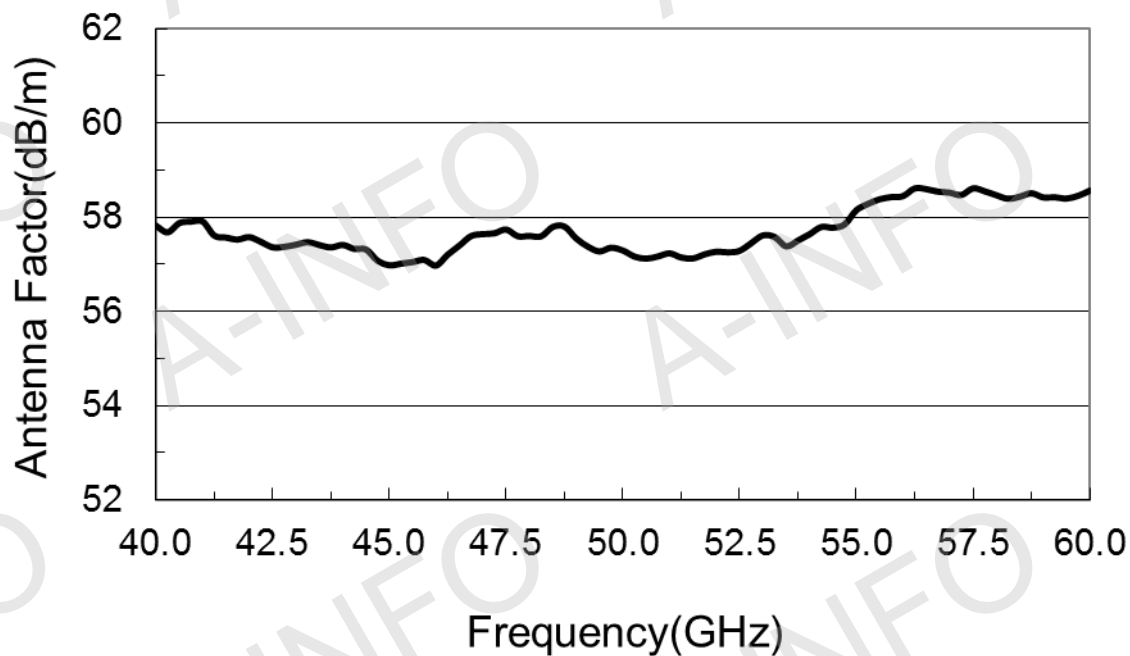
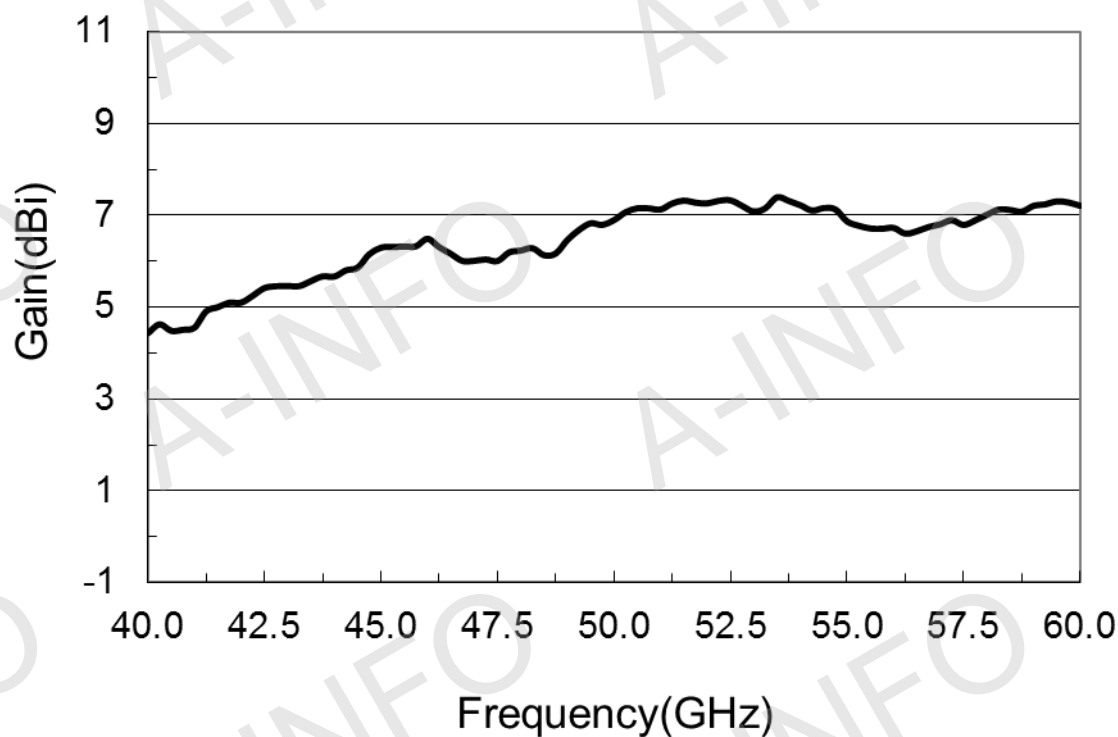
19EWG1.85-A1 (With 1.85mm-Female Output & L Type Mounting Bracket, Equipped with Absorber)

For 2.4mm-Female output outline drawing, please contact A-INFO.

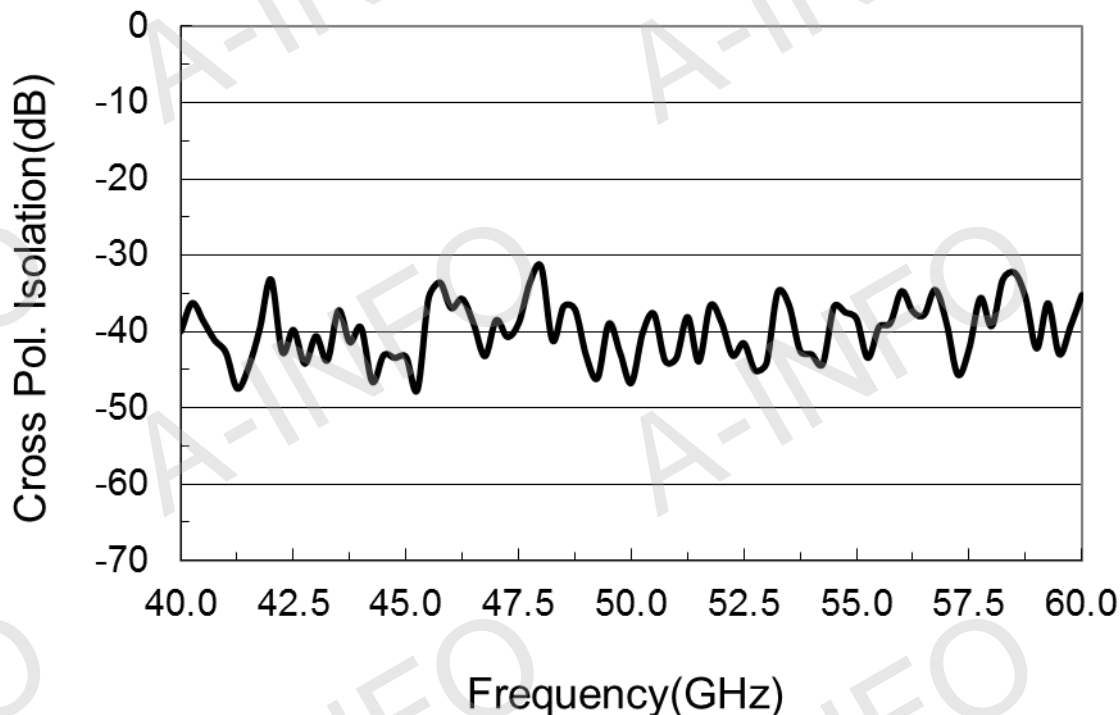


Test Results

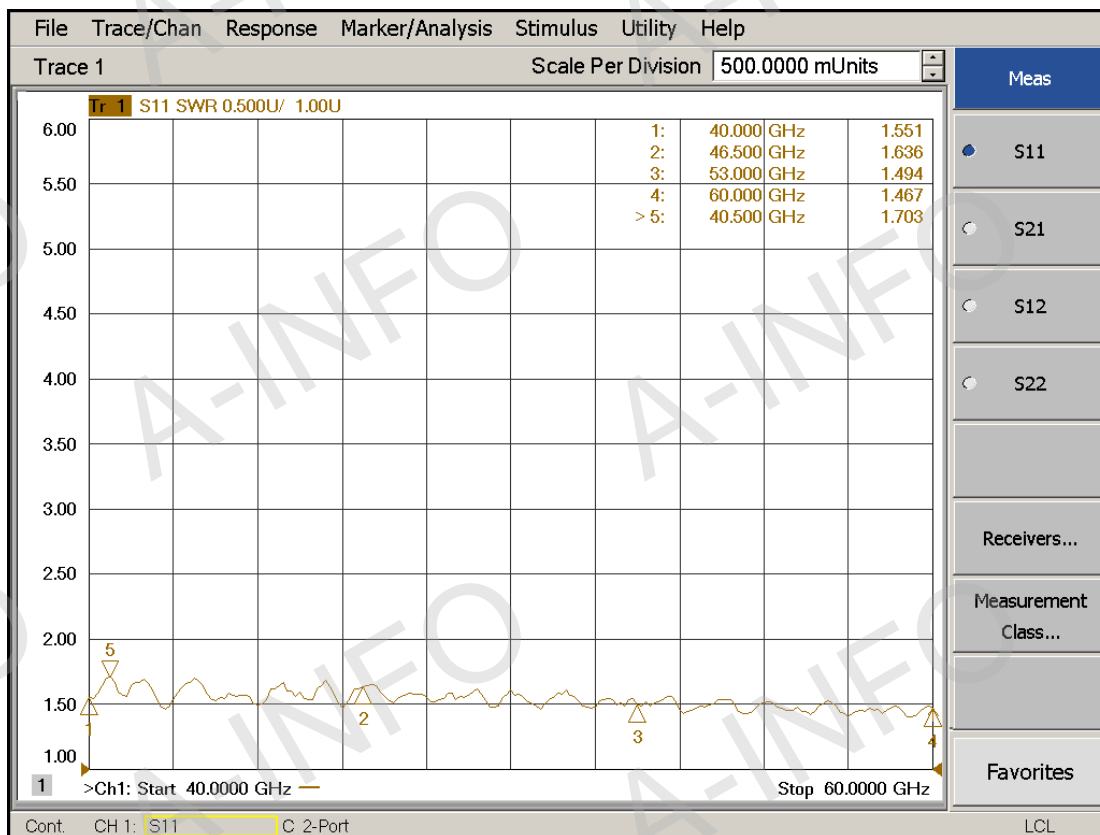
1. Gain & Antenna Factor



2. Cross Polarization Isolation



3. VSWR



4. Pattern

