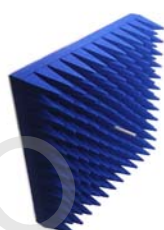


Technical Specification

19EWGE1.85



19EWGE1.85-A1

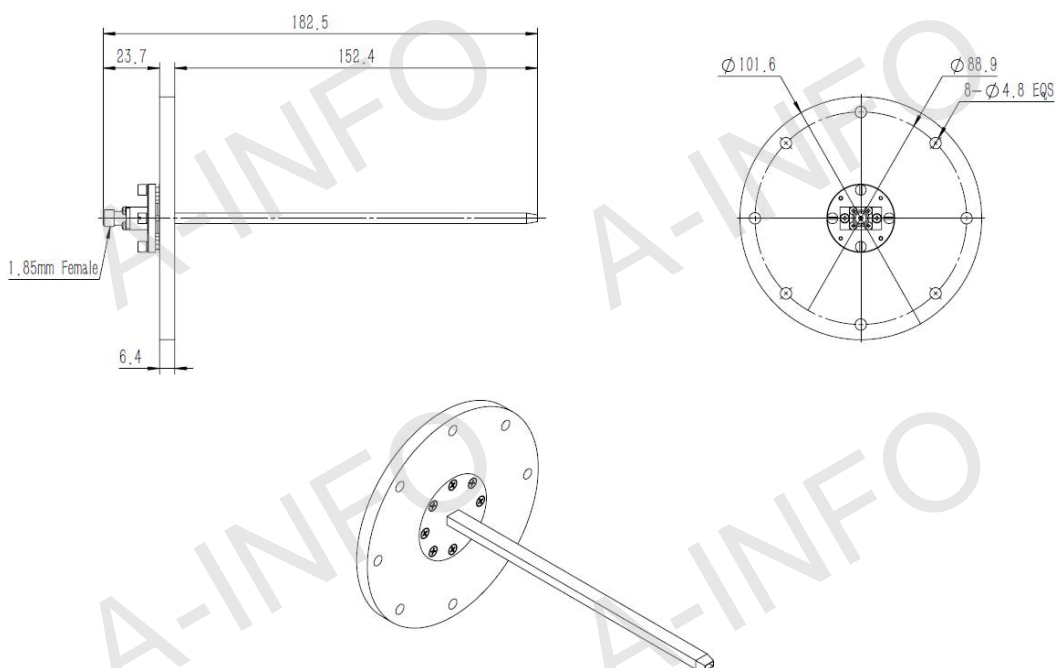


Frequency Range(GHz)	19EWGE1.85:	40.0-60.0
	19EWGE2.4:	40.0-50.0
	19EWGE1.85-A1:	40.0-60.0
	19EWGE2.4-A1:	40.0-50.0
Waveguide	WR19	
Gain(dBi)	5 Typ.	
Polarization	Linear	
3dB Beamwidth(deg)	E Plane:	89 Typ.
	H Plane:	70 Typ.
Cross Pol. Isolation(dB)	35 Typ.	
VSWR	1.5:1 Typ.	
Output	Endlaunch 1.85mm-Female	
	Endlaunch 2.4mm-Female	
Material	Cu	
Size(mm)	19EWGE _x :	101.6 x 101.6 x 182.5
	19EWGE _x -A1:	399.6 x 399.6 x 182.5
Net Weight(Kg)	19EWGE _x :	0.25 Around
	19EWGE _x -A1:	2.5 Around

Outline Drawing (Size: mm)

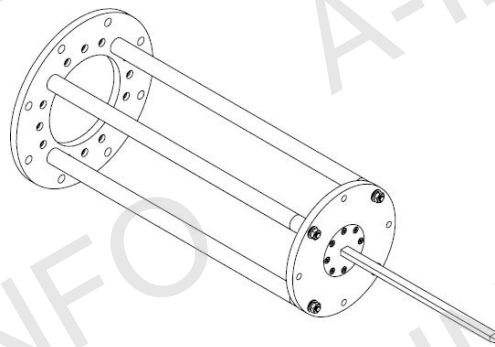
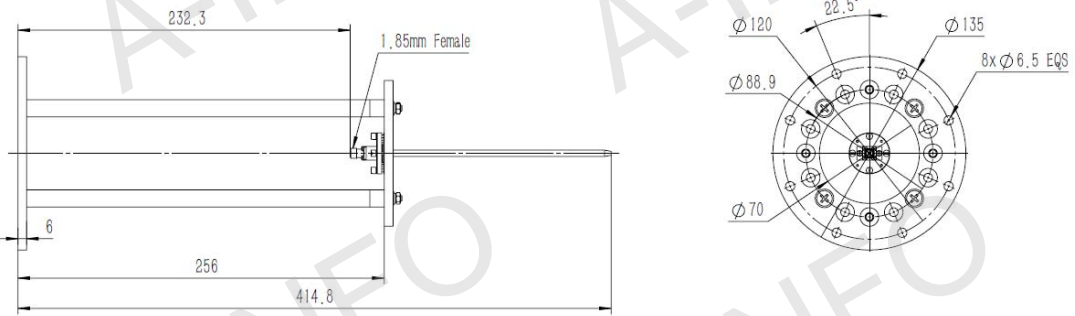
19EWGE1.85 (With Endlaunch 1.85mm-Female Output)

For Endlaunch 2.4mm-Female output outline drawing, please contact A-INFO.



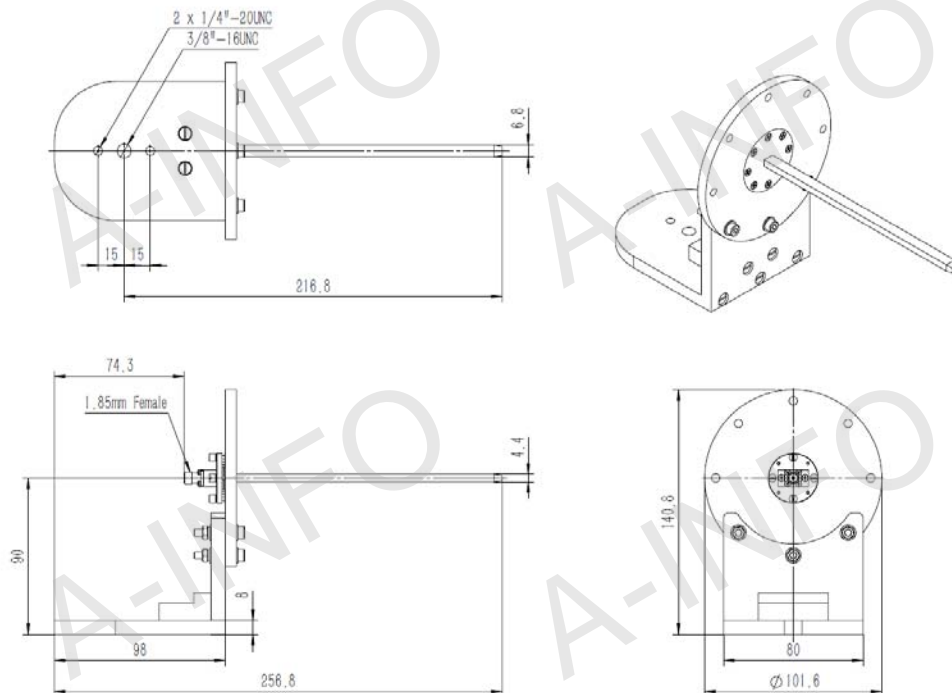
19EWGE1.85 (With Endlaunch 1.85mm-Female Output & Round Mounting Bracket)

For Endlaunch 2.4mm-Female output outline drawing, please contact A-INFO.



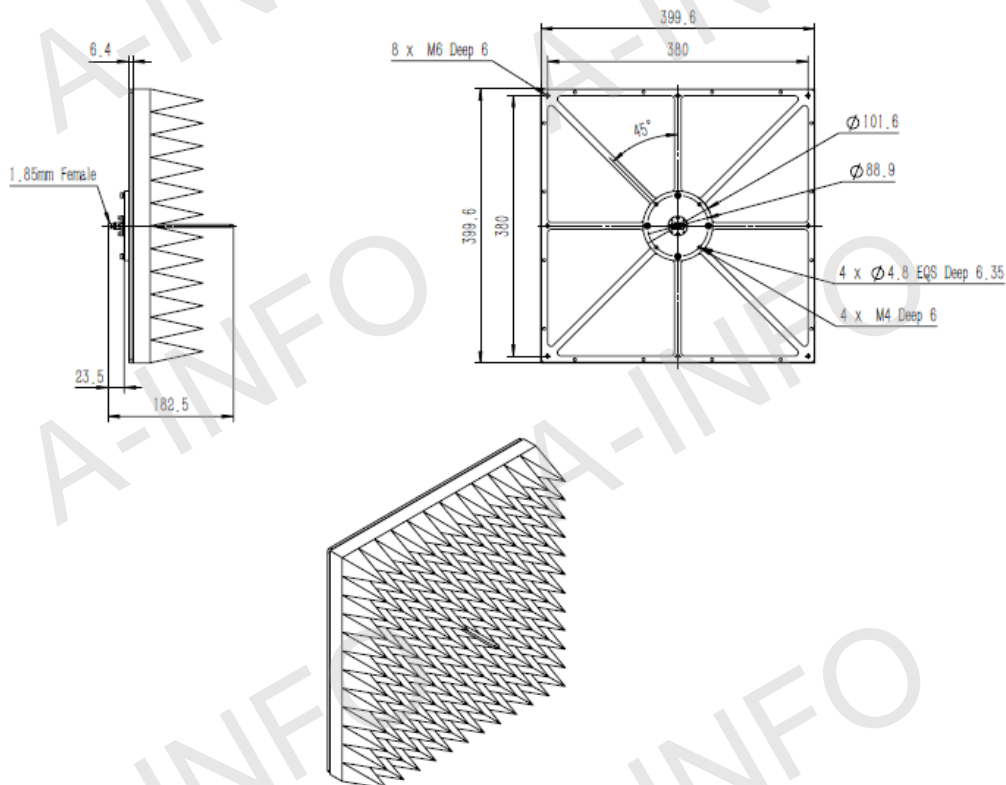
19EWGE1.85 (With Endlaunch 1.85mm-Female Output & L Type Mounting Bracket)

For Endlaunch 2.4mm-Female output outline drawing, please contact A-INFO.



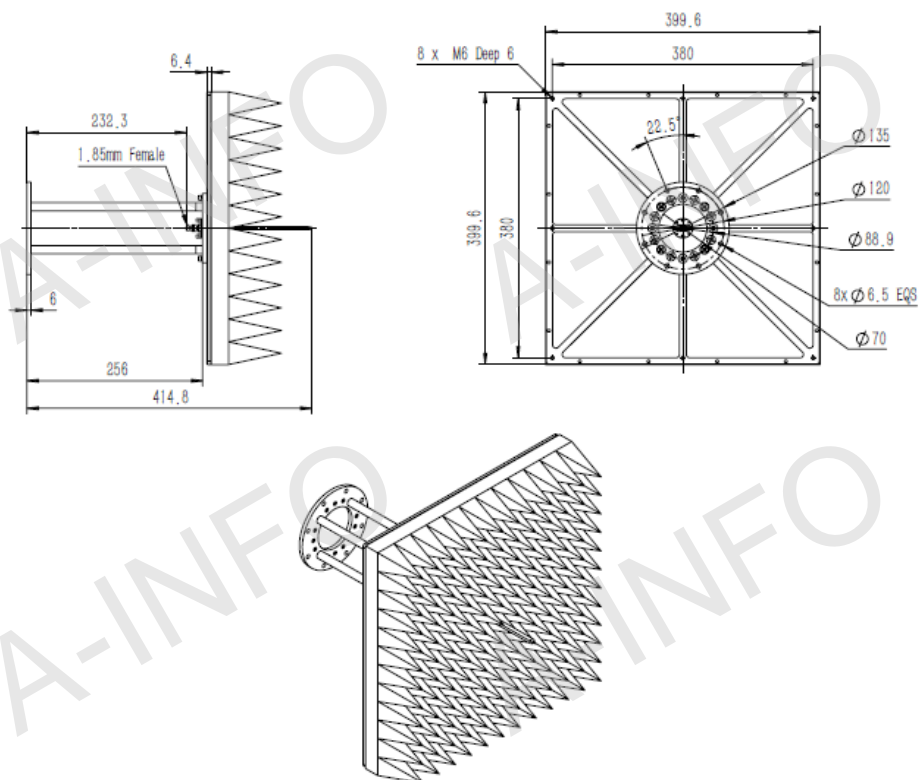
19EWGE1.85-A1 (With Endlaunch 1.85mm-Female Output, Equipped with Absorber)

For Endlaunch 2.4mm-Female output outline drawing, please contact A-INFO.



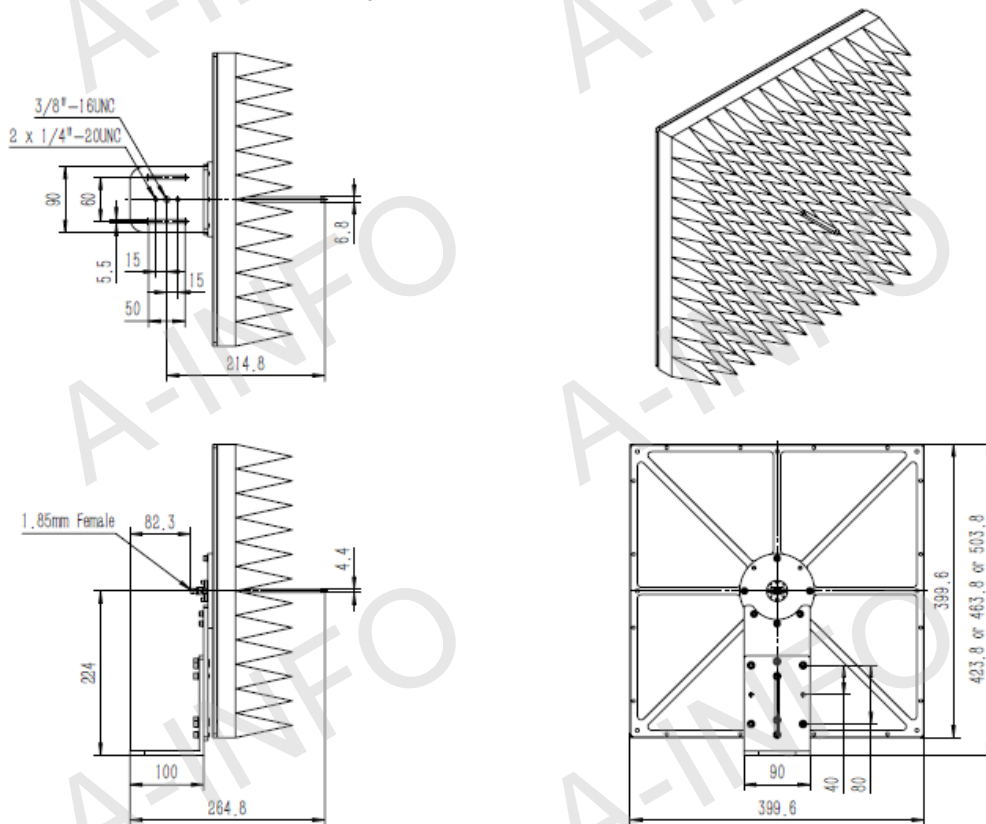
19EWGE1.85-A1 (With Endlaunch 1.85mm-Female Output & Round Mounting Bracket, Equipped with Absorber)

For Endlaunch 2.4mm-Female output outline drawing, please contact A-INFO.



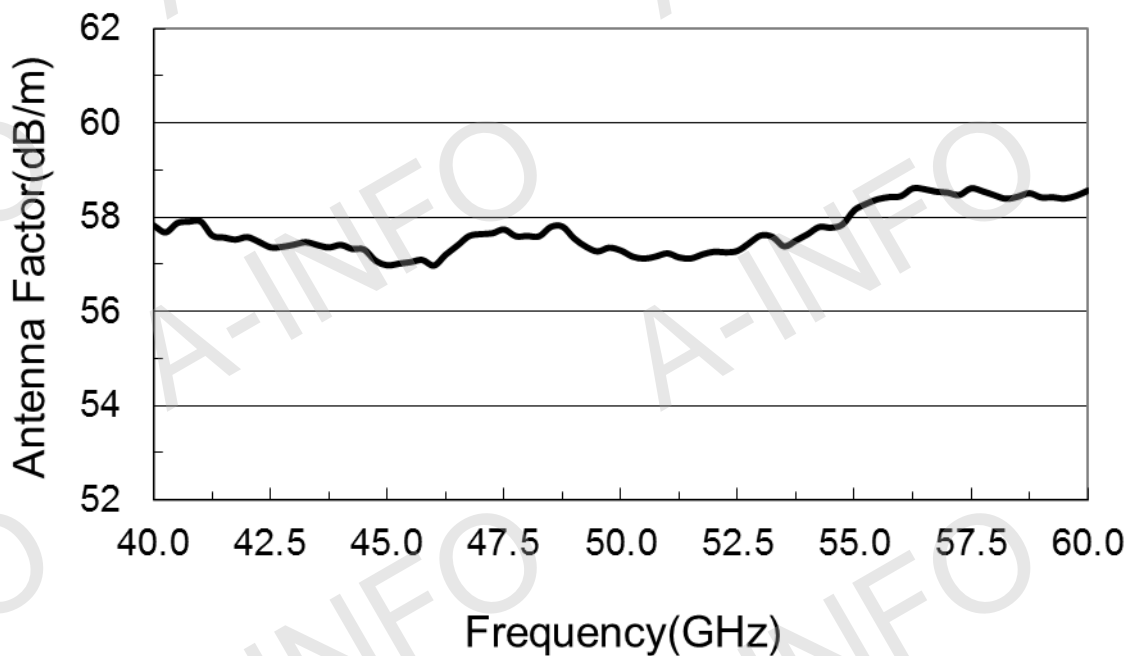
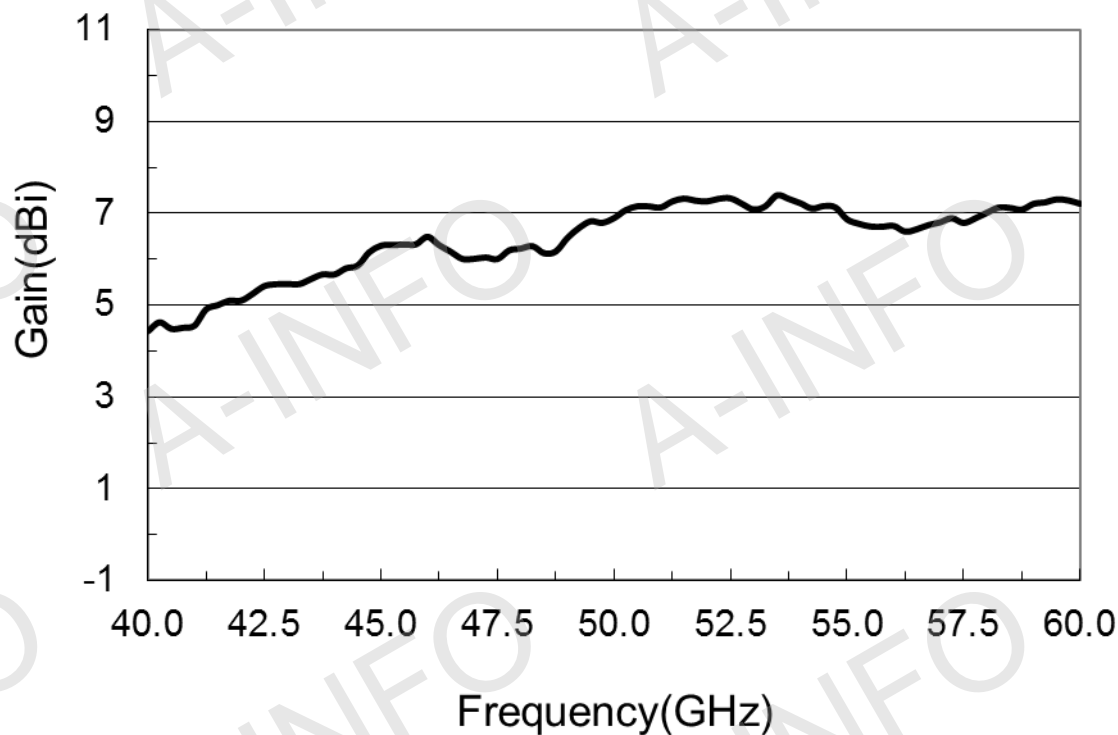
15EWGE1.85-A1 (With Endlaunch 1.85mm-Female Output & L Type Mounting Bracket, Equipped with Absorber)

For Endlaunch 2.4mm-Female output outline drawing, please contact A-INFO.

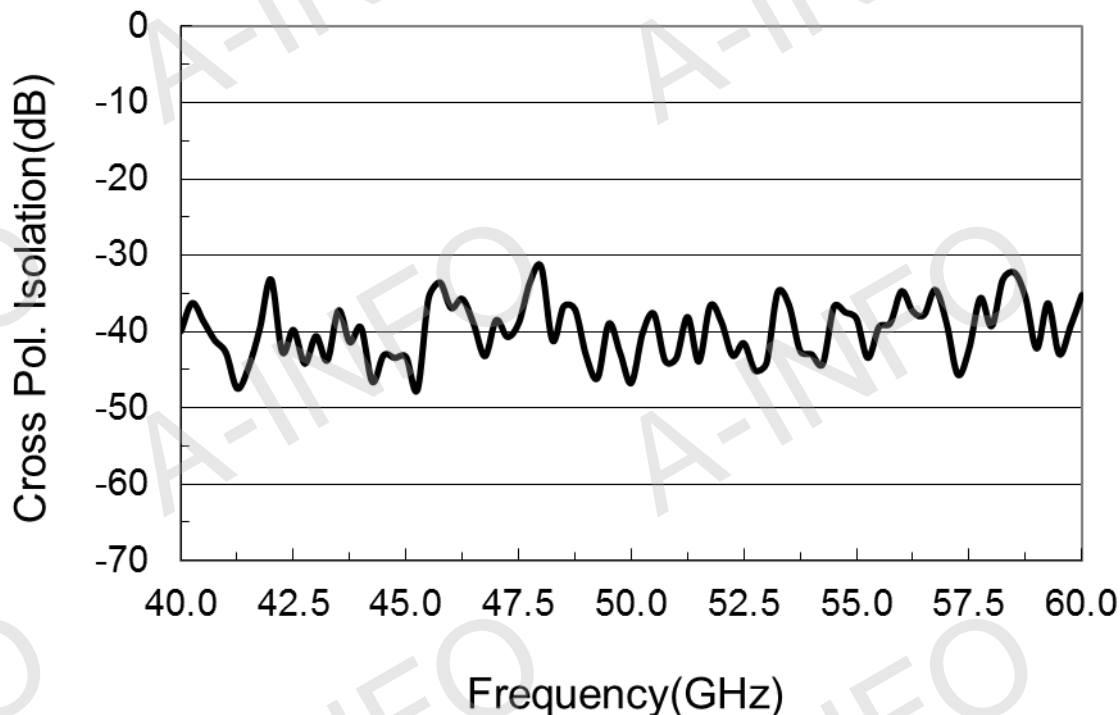


Test Results

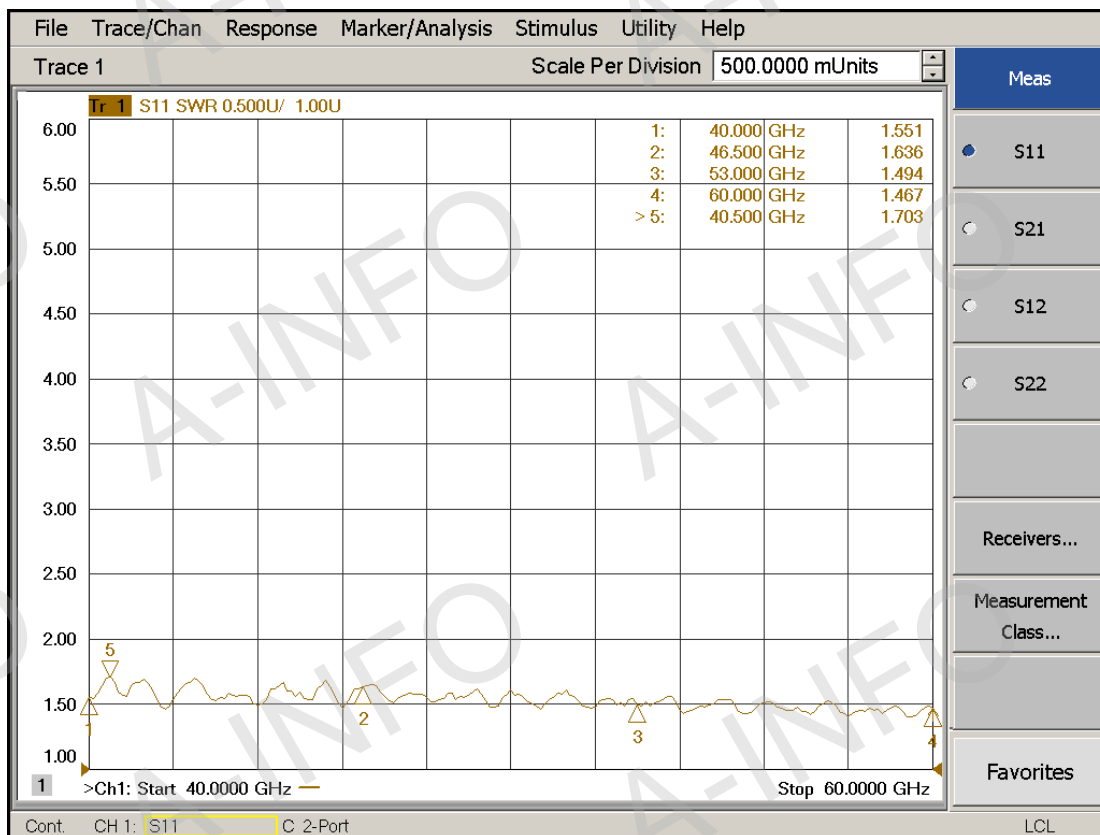
1. Gain & Antenna Factor



2. Cross Polarization Isolation



3. VSWR



4. Pattern

