

Technical Specification

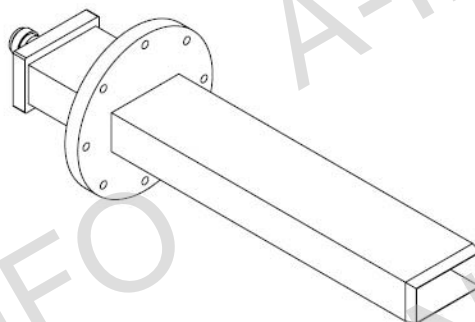
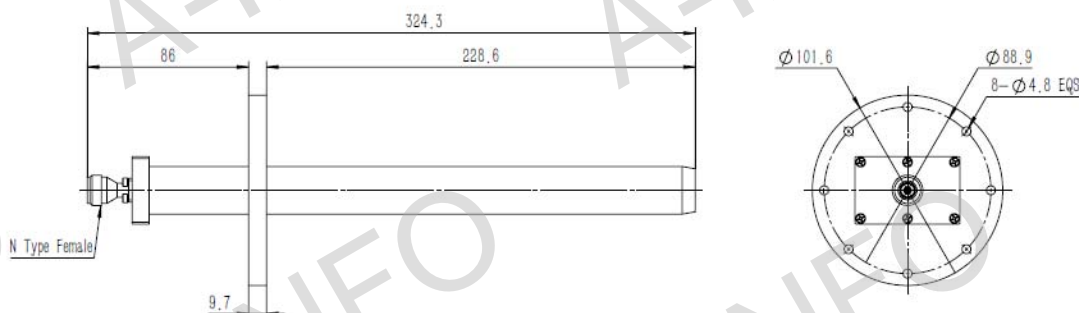


Frequency Range(GHz)	3.95 - 5.85
Waveguide	WR187
Gain(dBi)	5 Typ.
Polarization	Linear
3dB Beamwidth(deg)	E Plane: 78 Typ.
	H Plane: 53 Typ.
Cross Pol. Isolation(dB)	30 Typ.
VSWR	2.0:1 Typ.
Output	Endlaunch N-Female or Endlaunch SMA-Female
Material	Al
Size(mm)	101.6 x 101.6 x 324.3
Net Weight(Kg)	0.40 Around

Outline Drawing (Size: mm)

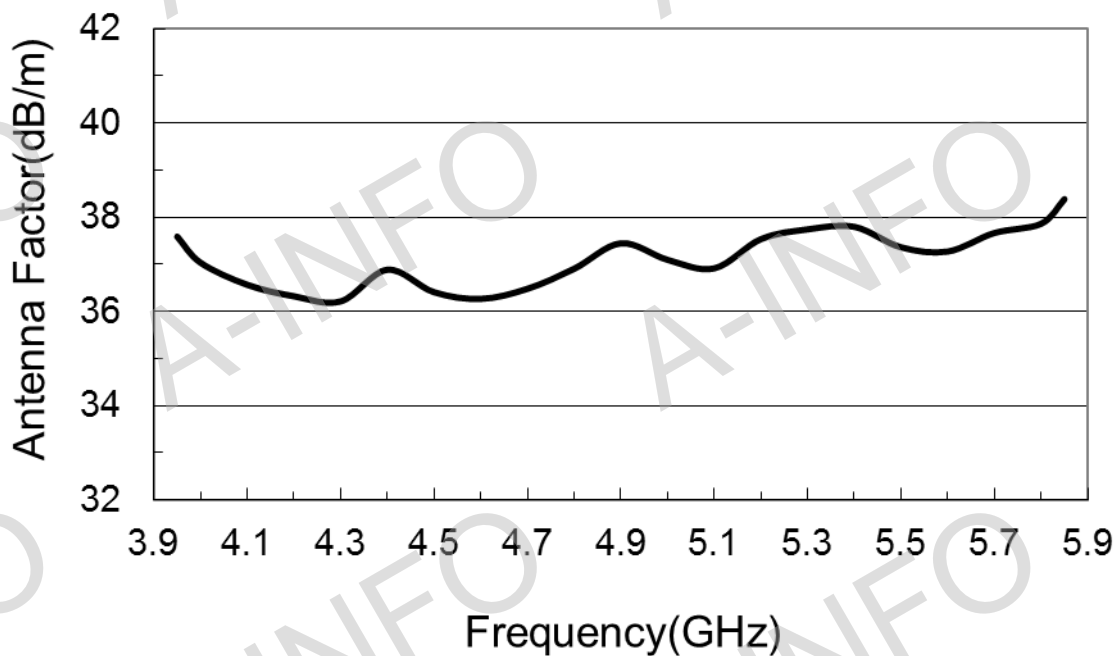
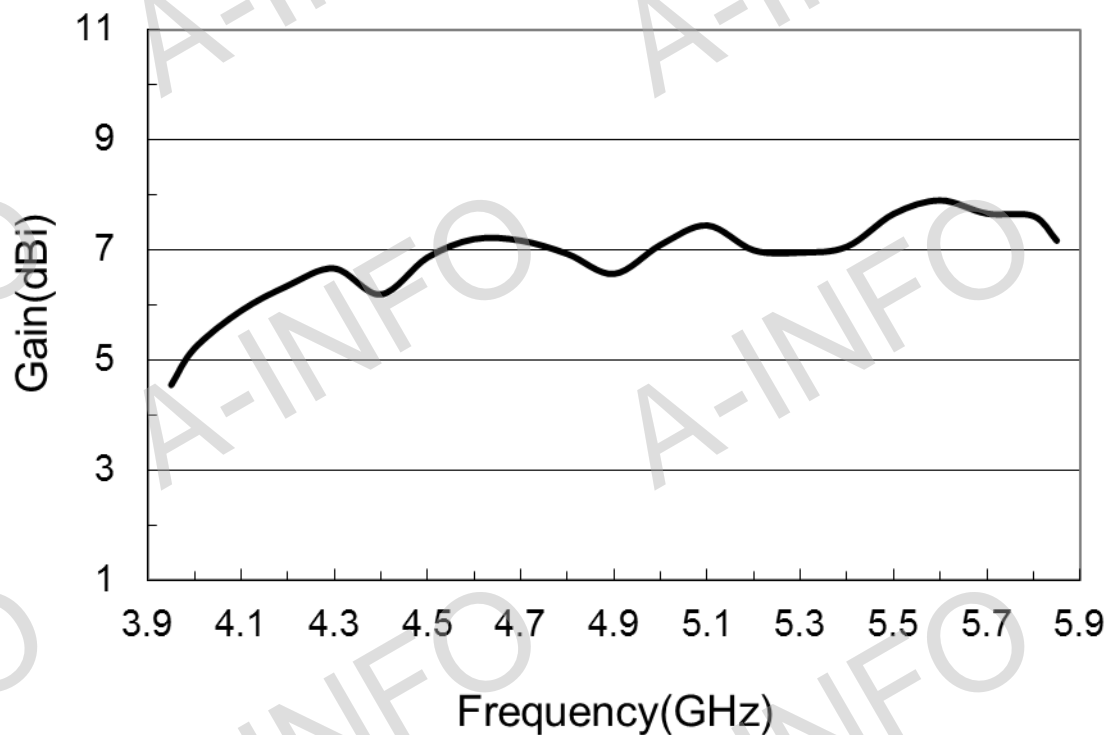
187EWGEN (With Endlaunch N-Female Output)

For Endlaunch SMA-Female output outline drawing, please contact A-INFO.

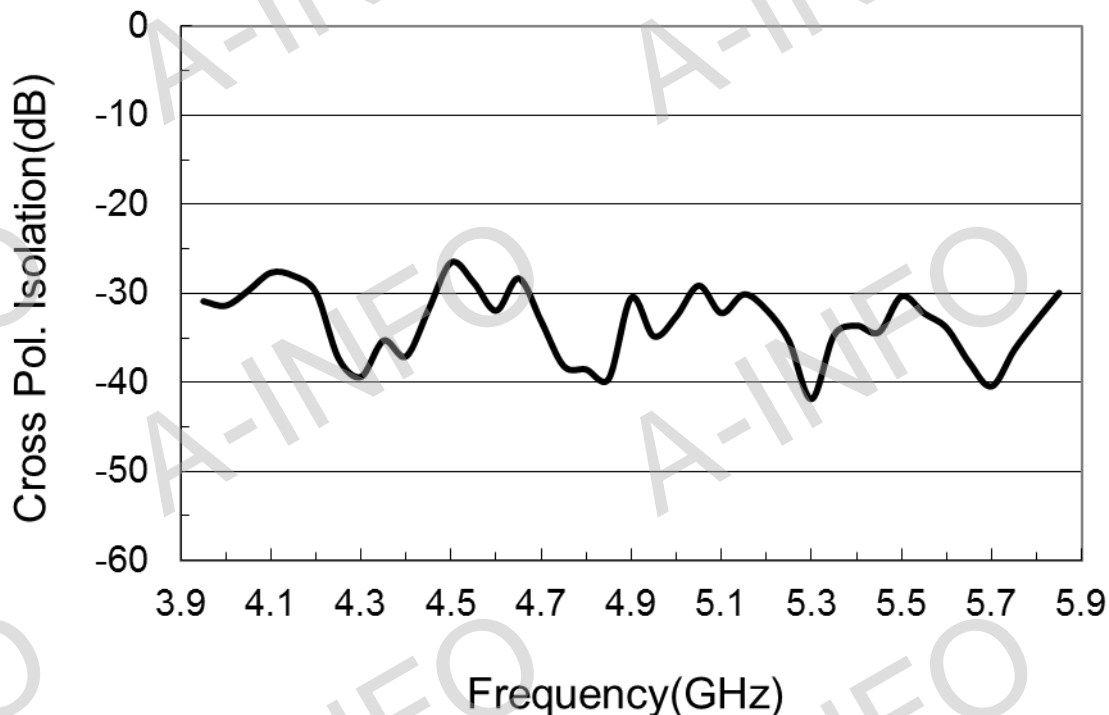


Test Results

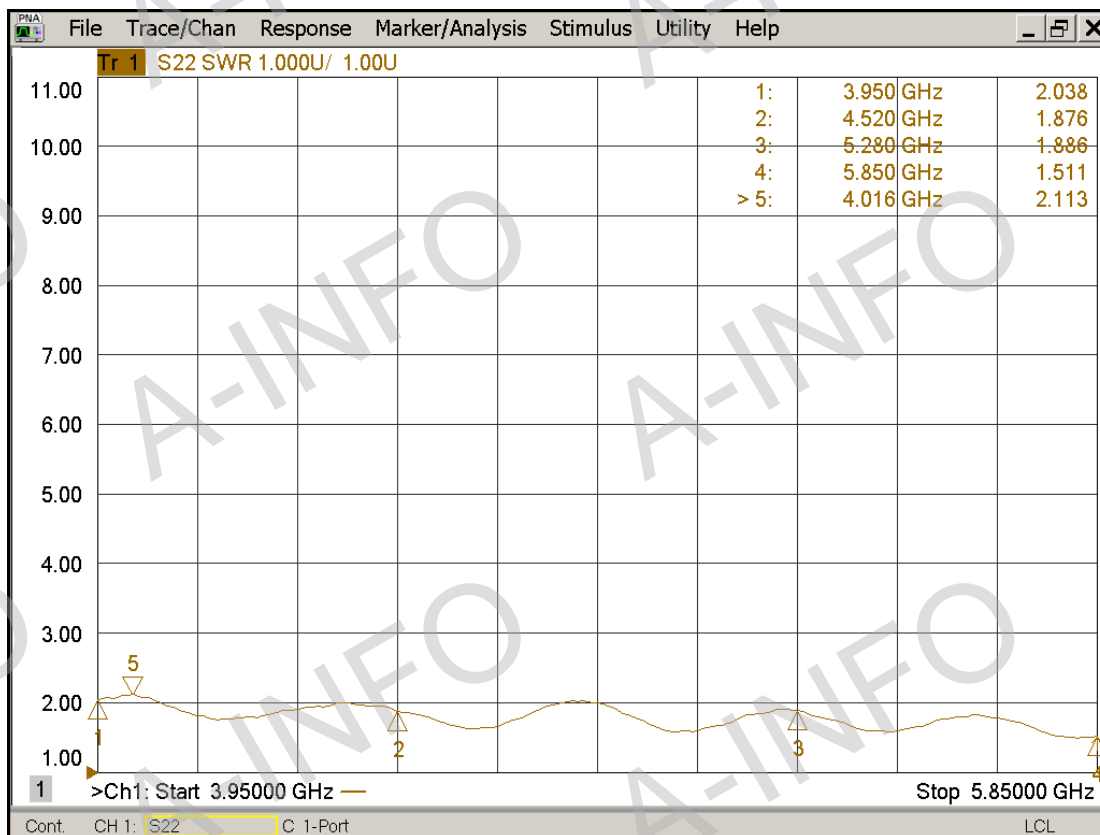
1. Gain & Antenna Factor



2. Cross Polarization Isolation



3. VSWR



4. Pattern

