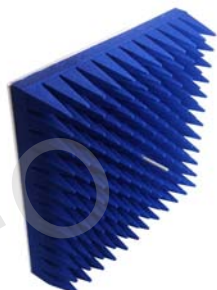


Technical Specification

15EWG1.85



15EWG1.85-A1

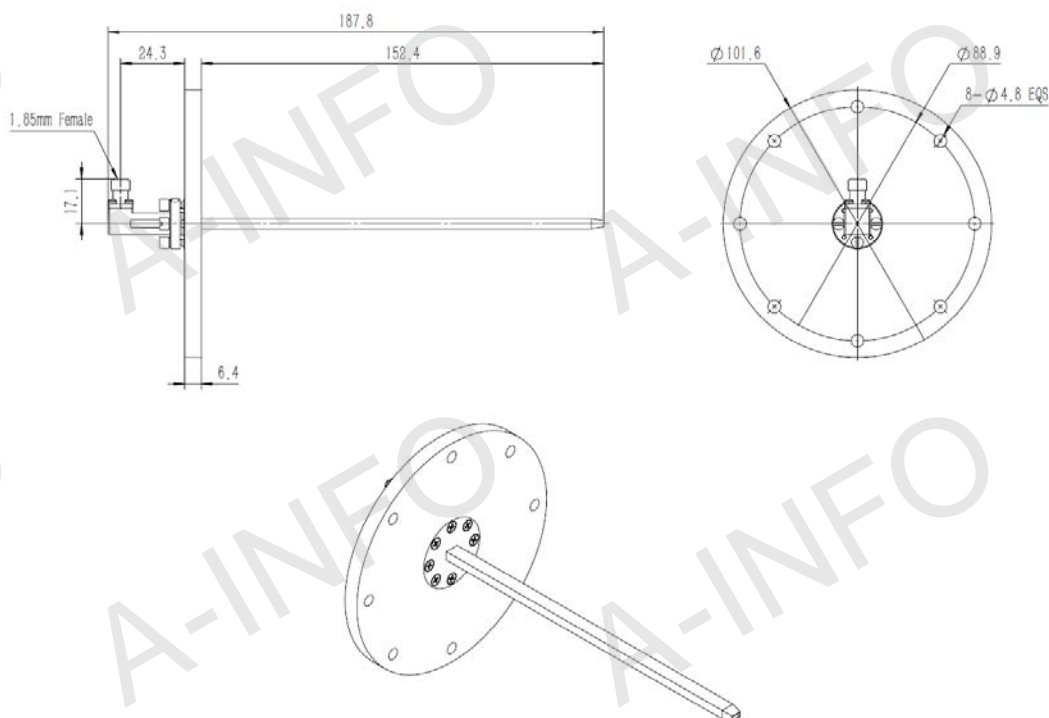


Frequency Range(GHz)	15EWG1.85:	50.0 - 65.0
	15EWG1.0:	50.0-75.0
	15EWG1.85-A1:	50.0 - 65.0
	15EWG1.0-A1:	50.0-75.0
Waveguide	WR15	
Gain(dBi)	5 Typ.	
Polarization	Linear	
3dB Beamwidth(deg)	E Plane:	122 Typ.
	H Plane:	70 Typ.
Cross Pol. Isolation(dB)	35 Typ.	
VSWR	2.0:1 Typ.	
Output	1.85mm-Female or 1.0mm-Female	
Material	Cu	
Size(mm)	15EWGx:	101.6 x 101.6 x 187.8
	15EWGx-A1:	399.6 x 399.6 x 187.8
Net Weight(Kg)	15EWGx:	0.20 Around
	15EWGx-A1:	2.45 Around

Outline Drawing (Size: mm)

1.85mm-Female Output (P/N: 15EWG1.85)

For 1.0mm-Female output outline drawing, please contact A-INFO.



AINFO Inc.

China(Beijing):
China(Chengdu):
USA :

Tel: (+86) 10-6266-7326,
Tel: (+86) 28-8519-2786,
Tel: (+1) 949-639-9688,

(+86) 10-6266-7327
(+86) 28-8519-3044
(+1) 949-639-9608

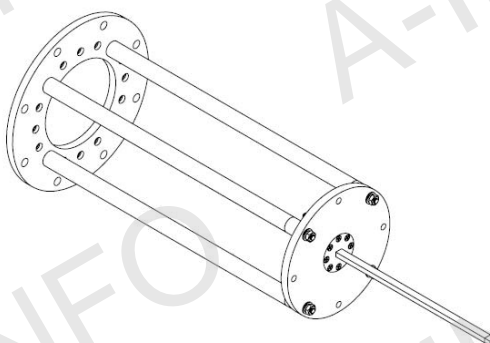
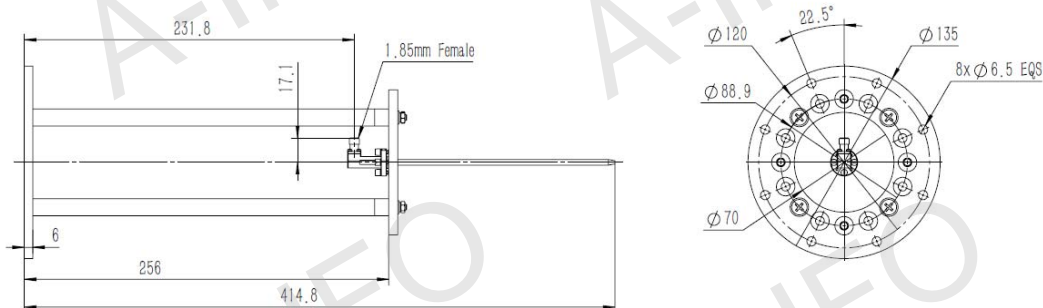
Page 1 of 12

Fax: (+86) 10-6266-7379
Fax: (+86) 28-8519-3068
Fax: (+1) 949-639-9670

Website: www.ainfoinc.com
Email: sales@ainfoinc.com

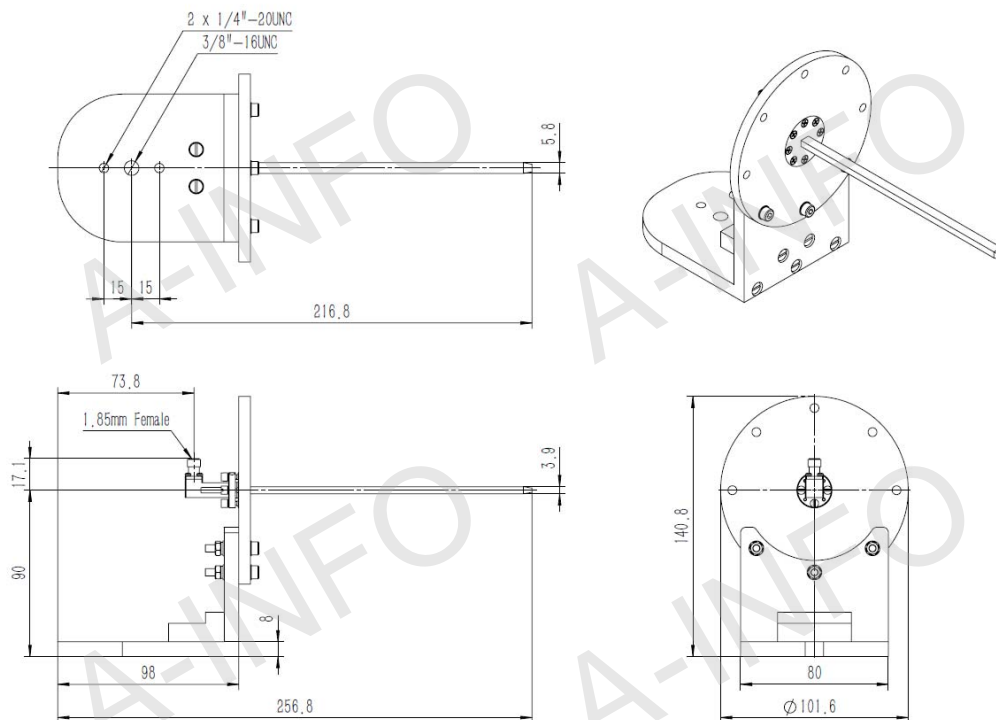
1.85mm-Female Output with Round Mounting Bracket (Option, P/N: EWG-MB40)

For 1.0mm-Female output outline drawing, please contact A-INFO.



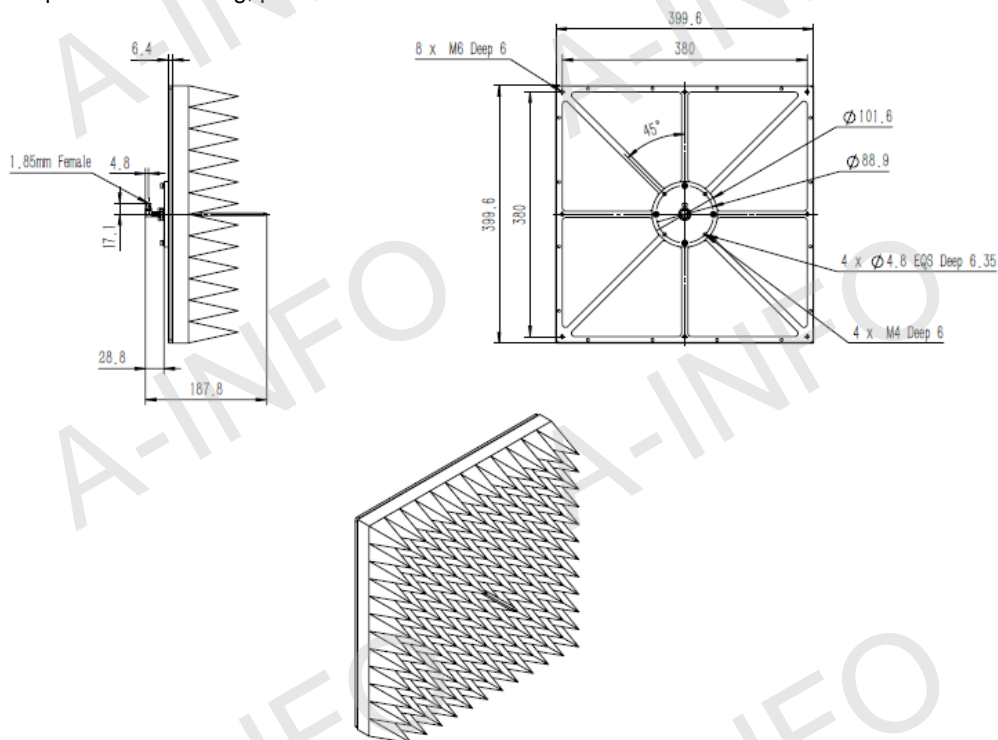
1.85mm-Female Output with L Type Mounting Bracket (Option, P/N: EWG-L30/FRP)

For 1.0mm-Female output outline drawing, please contact A-INFO.



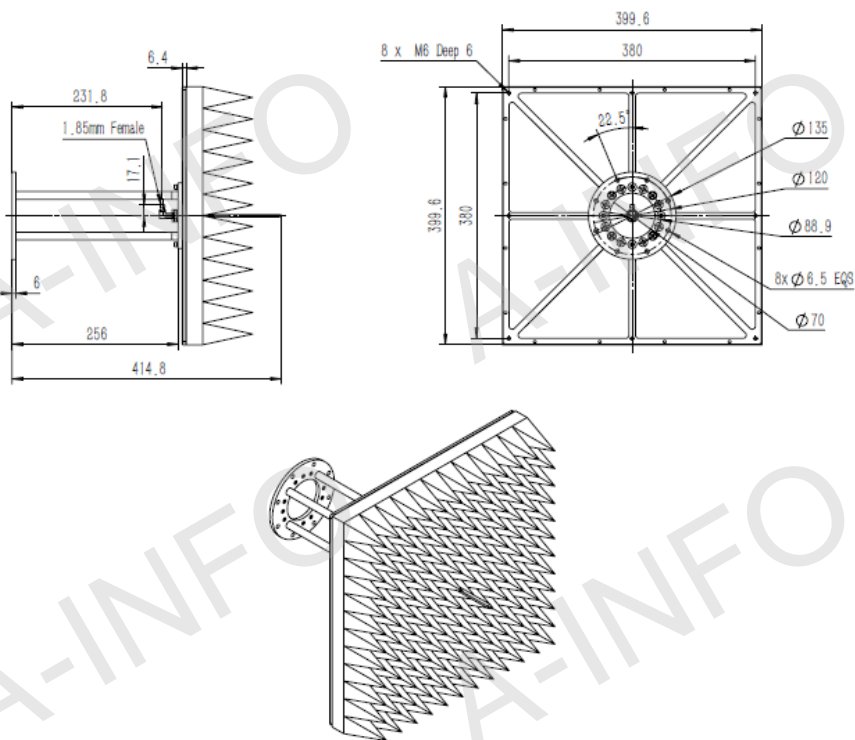
1.85mm-Female Output, Equipped with Absorber (Option, P/N: 15EWG1.85-A1)

For 1.0mm-Female output outline drawing, please contact A-INFO.



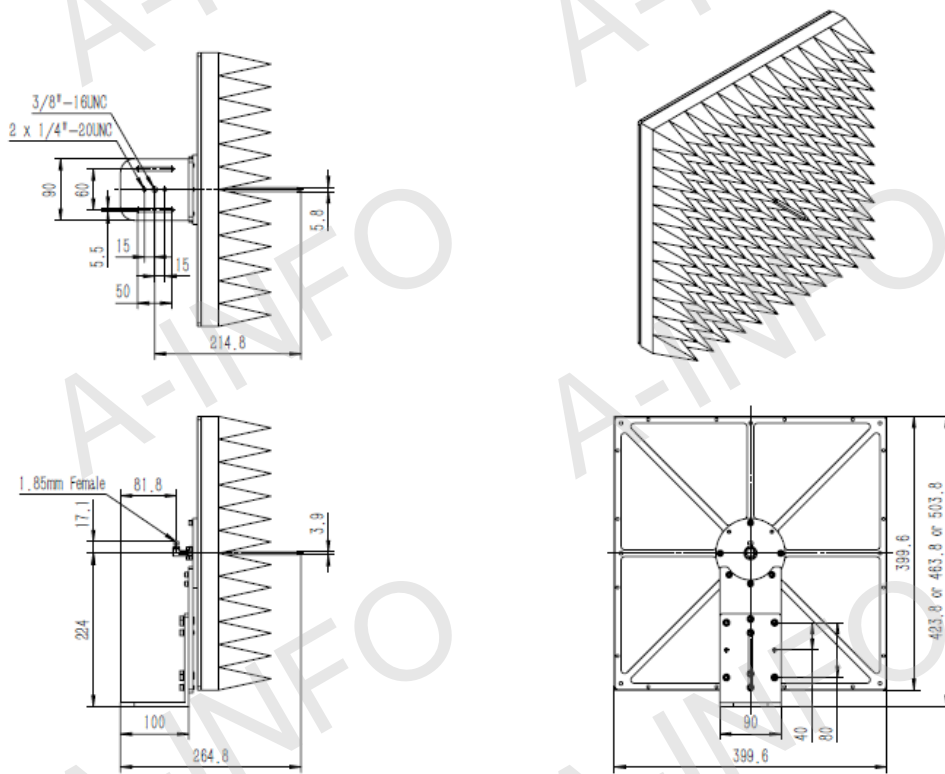
1.85mm-Female Output with Round Mounting Bracket & Equipped with Absorber (Option, P/N: EWG-MB40 & 15EWG1.85-A1)

For 1.0mm-Female output outline drawing, please contact A-INFO.



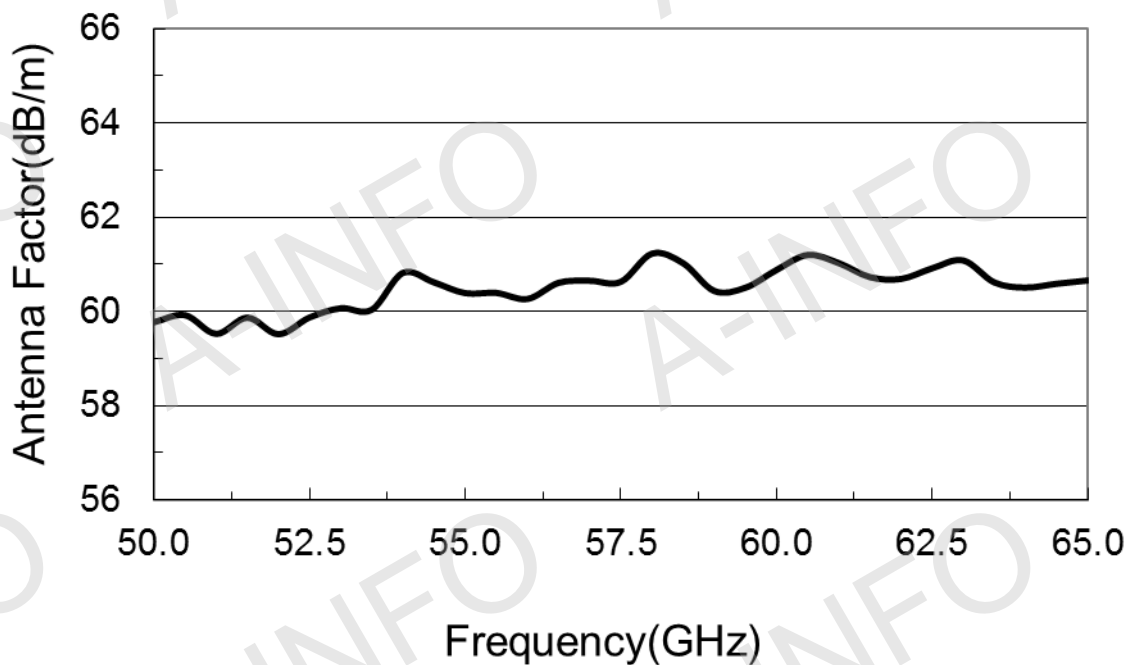
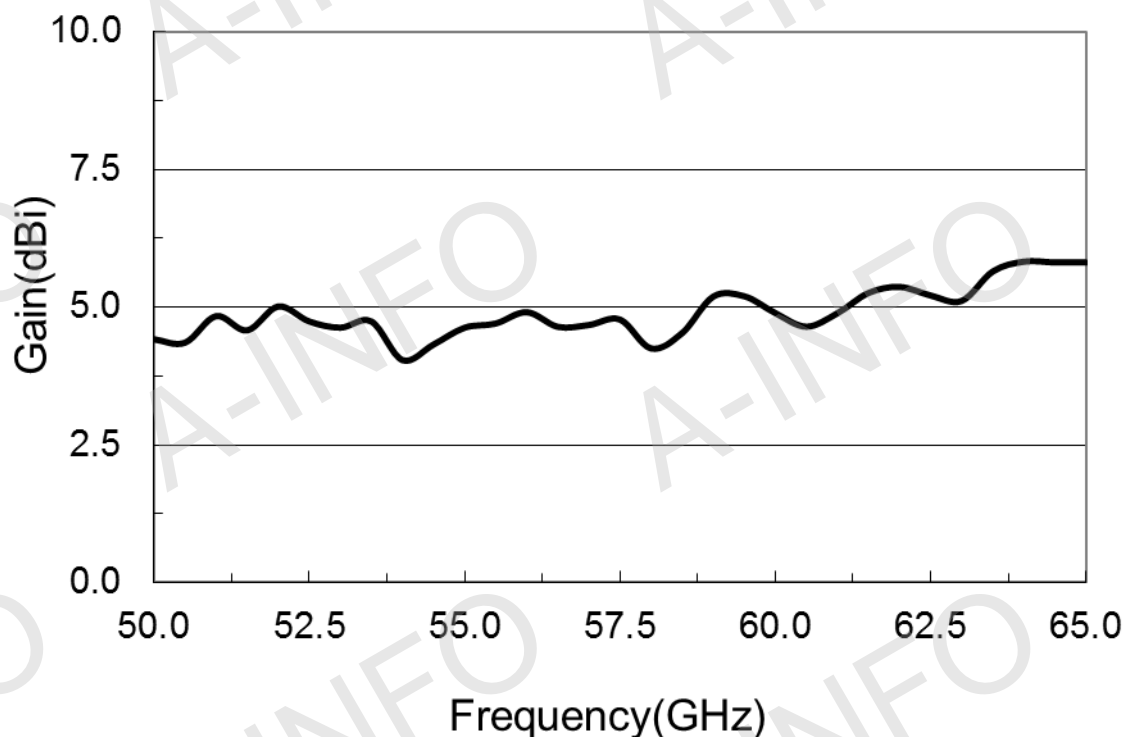
1.85mm-Female Output with L Type Mounting Bracket & Equipped with Absorber (Option, P/N: EWG-L30/FRP & 15EWG1.85-A1)

For 1.0mm-Female output outline drawing, please contact A-INFO.

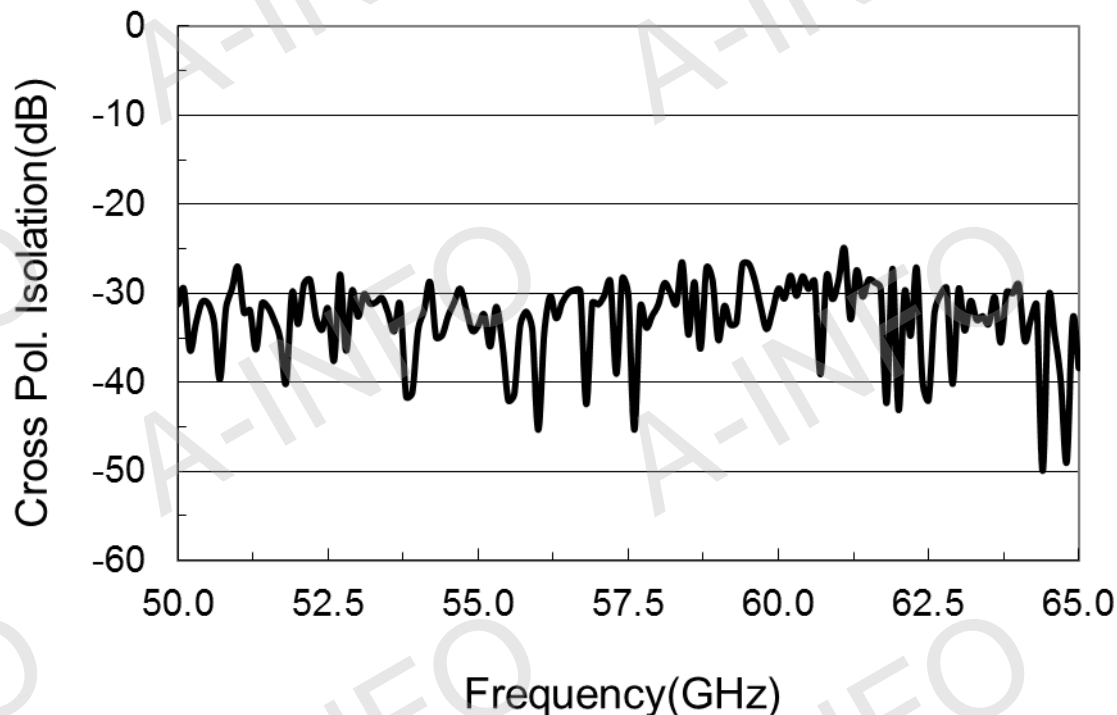


Test Results

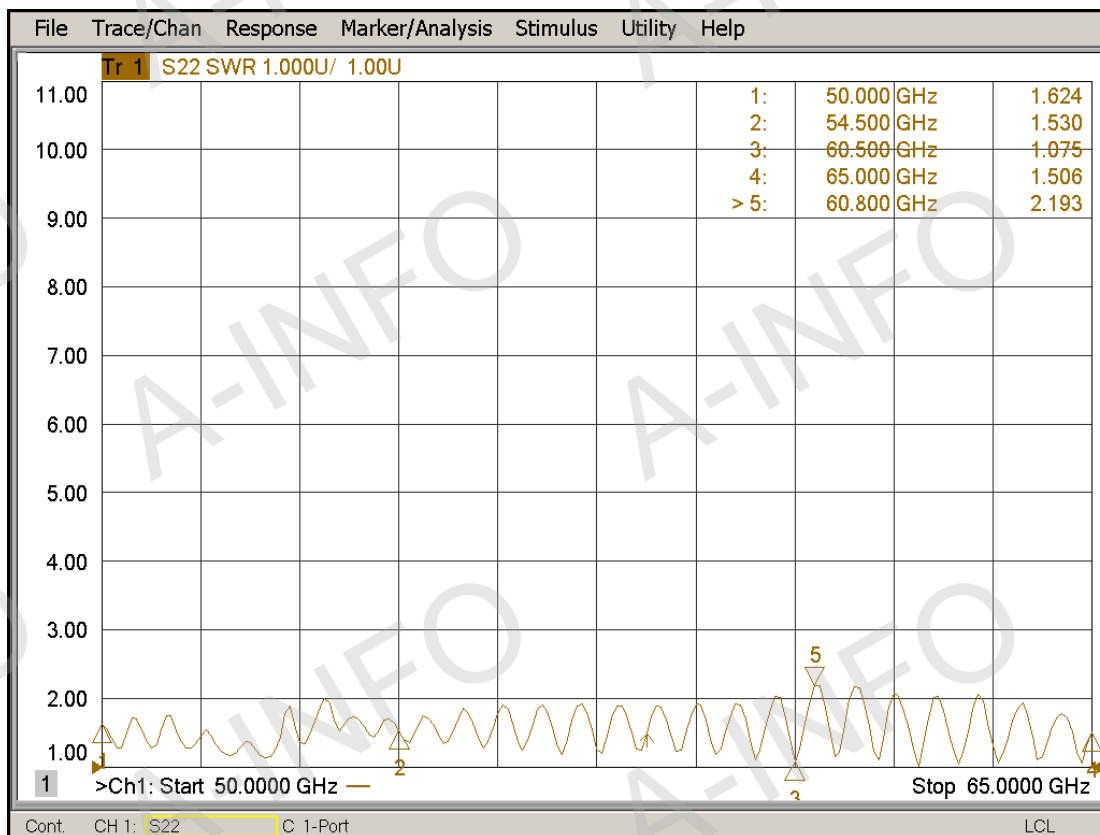
1. Gain & Antenna Factor



2. Cross Polarization Isolation



3. VSWR



4. Pattern

