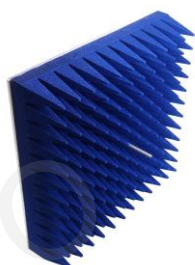


## Technical Specification



15EWGE1.85-A1

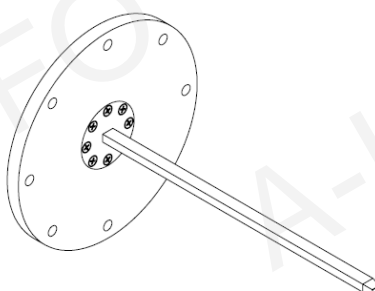
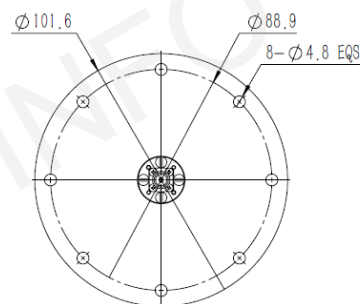
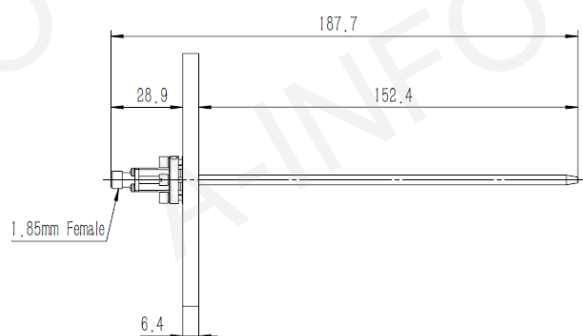


Frequency Range(GHz)	15EWGE1.85:	50.0 - 65.0
	15EWGE1.0:	50.0 - 75.0
	15EWGE1.85-A1:	50.0 - 65.0
	15EWGE1.0-A1:	50.0 - 75.0
Waveguide	WR15	
Gain(dBi)	5 Typ.	
Polarization	Linear	
3dB Beamwidth(deg)	E Plane:	122 Typ.
	H Plane:	70 Typ.
Cross Pol. Isolation(dB)	35 Typ.	
VSWR	2.0:1 Typ.	
Output	Endlaunch 1.85mm-Female or Endlaunch 1.0mm-Female	
Material	Cu	
Size(mm)	15EWGEx:	101.6 x 101.6 x 187.7
	15EWGEx-A1:	399.6 x 399.6 x 187.7
Net Weight(Kg)	15EWGEx:	0.18 Around
	15EWGEx-A1:	2.43 Around

## Outline Drawing (Size: mm)

Endlaunch 1.85mm-Female Output (P/N: 15EWGE1.85)

For 1.0mm-Female output outline drawing, please contact A-INFO.



**AINFO Inc.**

China(Beijing):  
China(Chengdu):  
USA :

Tel: (+86) 10-6266-7326,  
Tel: (+86) 28-8519-2786,  
Tel: (+1) 949-639-9688,

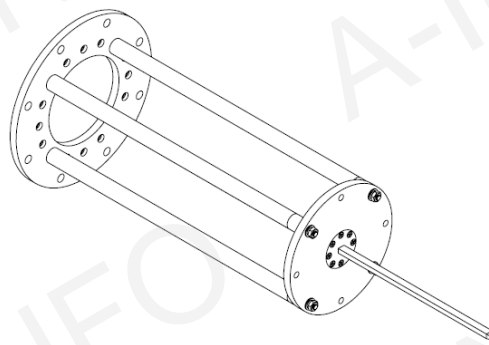
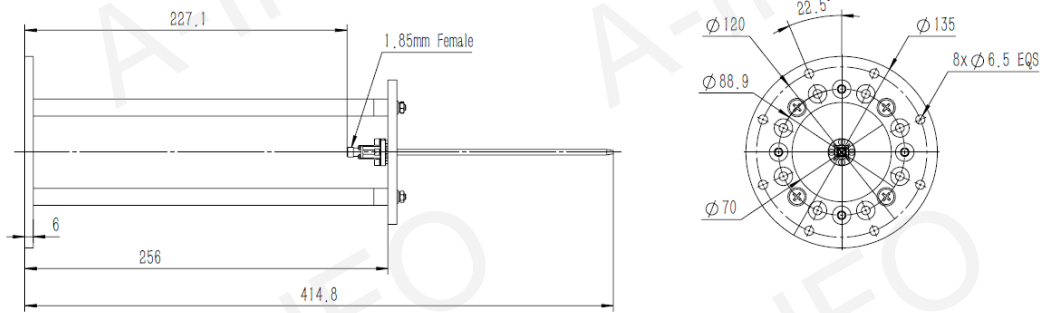
(+86) 10-6266-7327  
(+86) 28-8519-3044  
(+1) 949-639-9608

Fax: (+86) 10-6266-7379  
Fax: (+86) 28-8519-3068  
Fax: (+1) 949-639-9670

Website: [www.ainfoinc.com](http://www.ainfoinc.com)  
Email: [sales@ainfoinc.com](mailto:sales@ainfoinc.com)

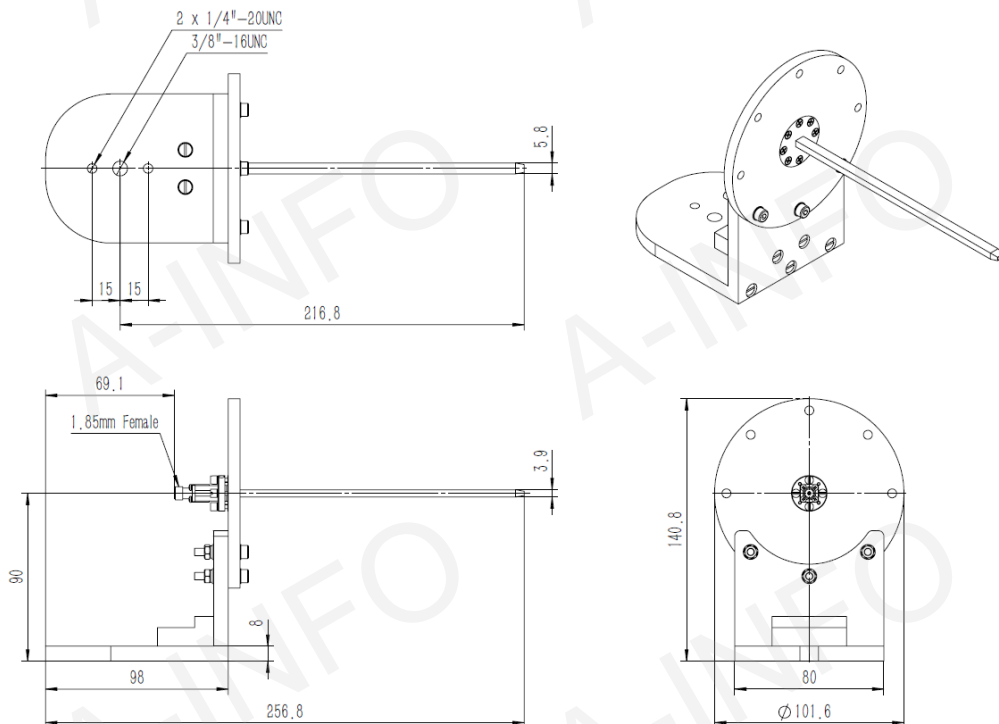
**Endlaunch 1.85mm-Female Output with Round Mounting Bracket (Option, P/N: EWG-MB40)**

For 1.0mm-Female output outline drawing, please contact A-INFO.



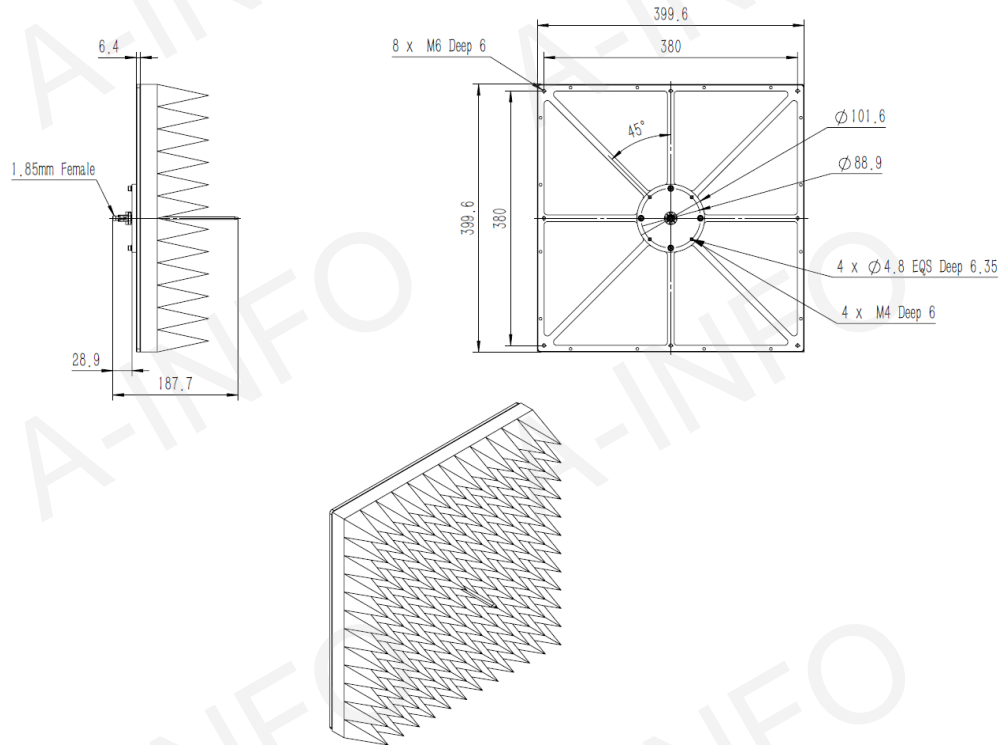
**Endlaunch 1.85mm-Female Output with L Type Mounting Bracket (Option, P/N: EWG-L30/FRP)**

For 1.0mm-Female output outline drawing, please contact A-INFO.



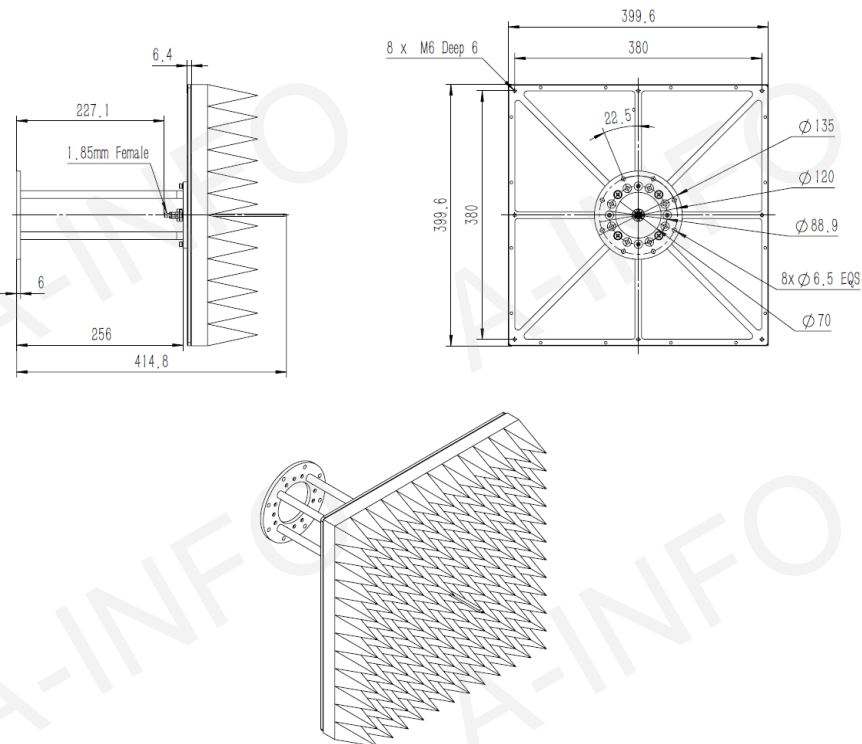
**Endlaunch 1.85mm-Female Output, Equipped with Absorber (Option, P/N: 15EWGE1.85-A1)**

For 1.0mm-Female output outline drawing, please contact A-INFO.



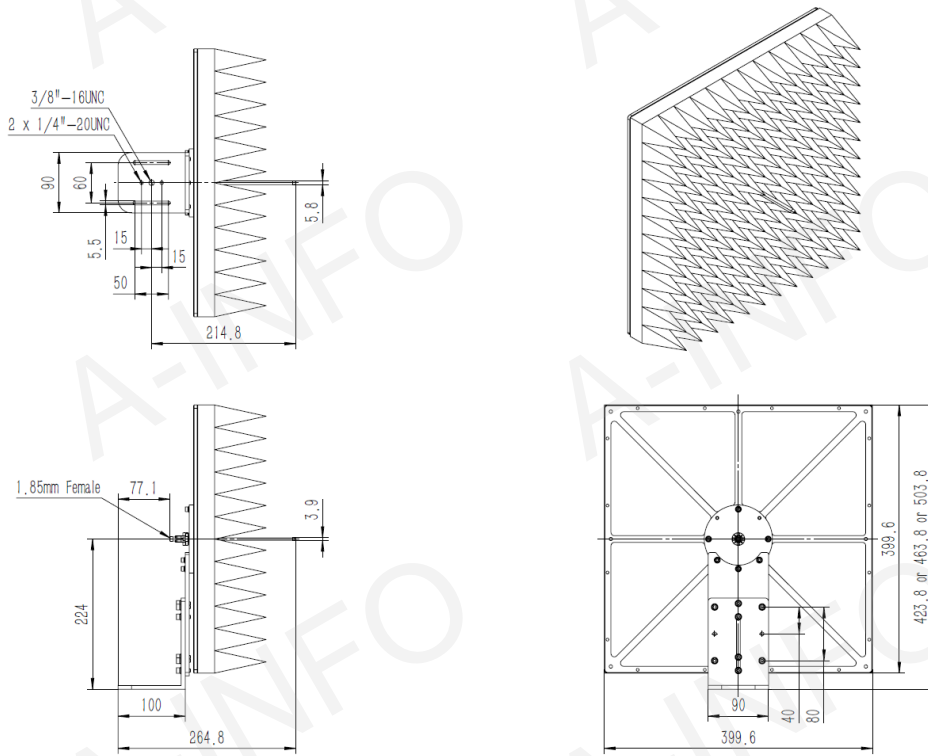
**Endlaunch 1.85mm-Female Output with Round Mounting Bracket & Equipped with Absorber (Option, P/N: EWG-MB40 & 15EWGE1.85-A1)**

For 1.0mm-Female output outline drawing, please contact A-INFO.



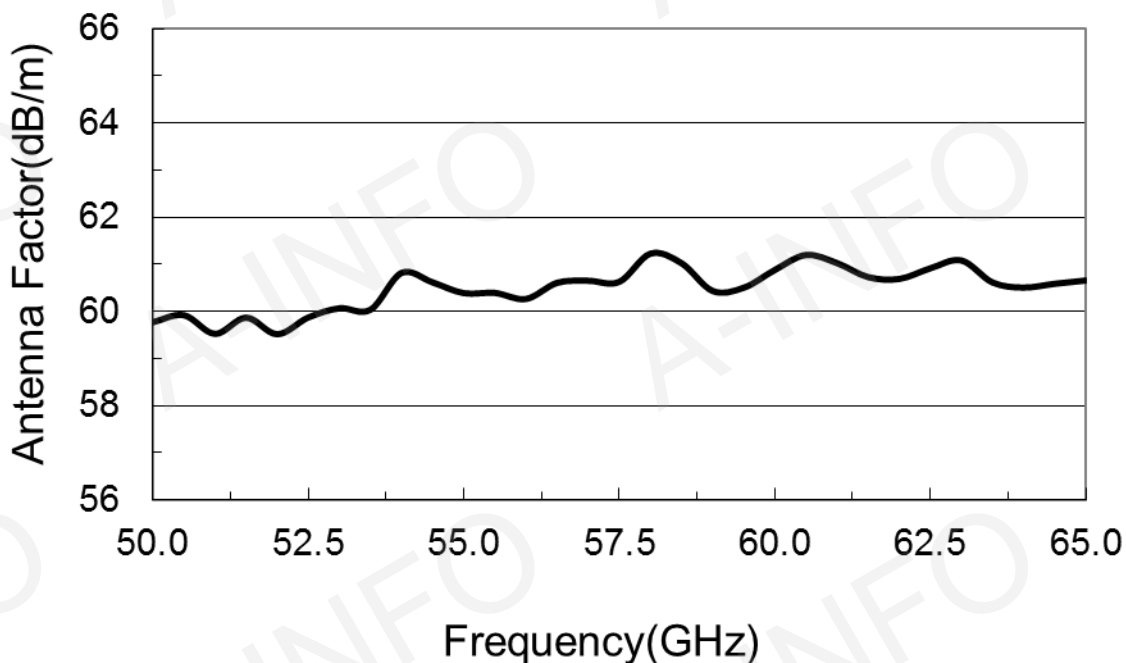
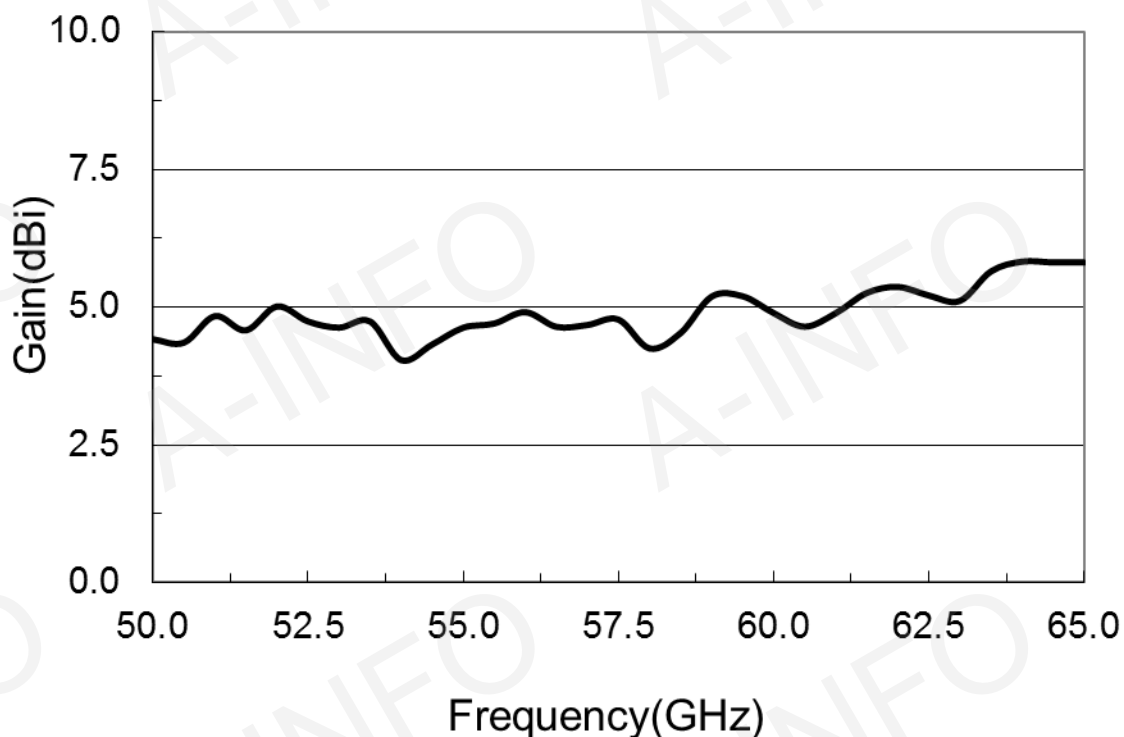
**Endlaunch 1.85mm-Female Output with L Type Mounting Bracket & Equipped with Absorber**  
 (Option, P/N: EWG-L40 & 15EWGE1.85-A1)

For 1.0mm-Female output outline drawing, please contact A-INFO.

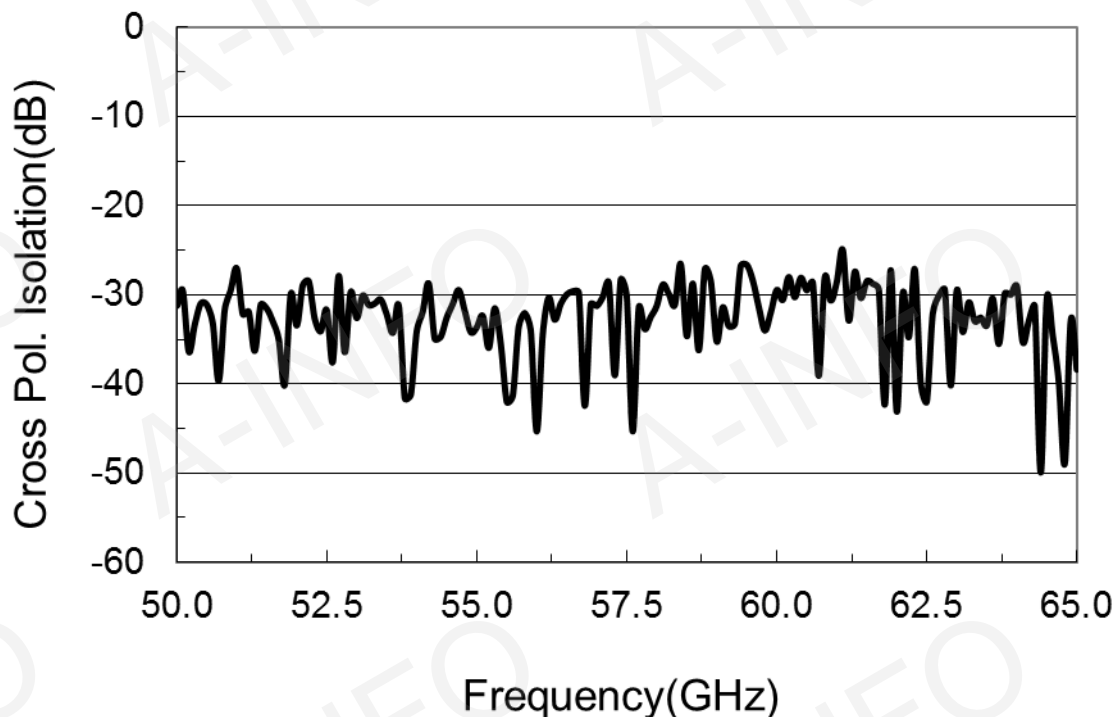


## Test Results

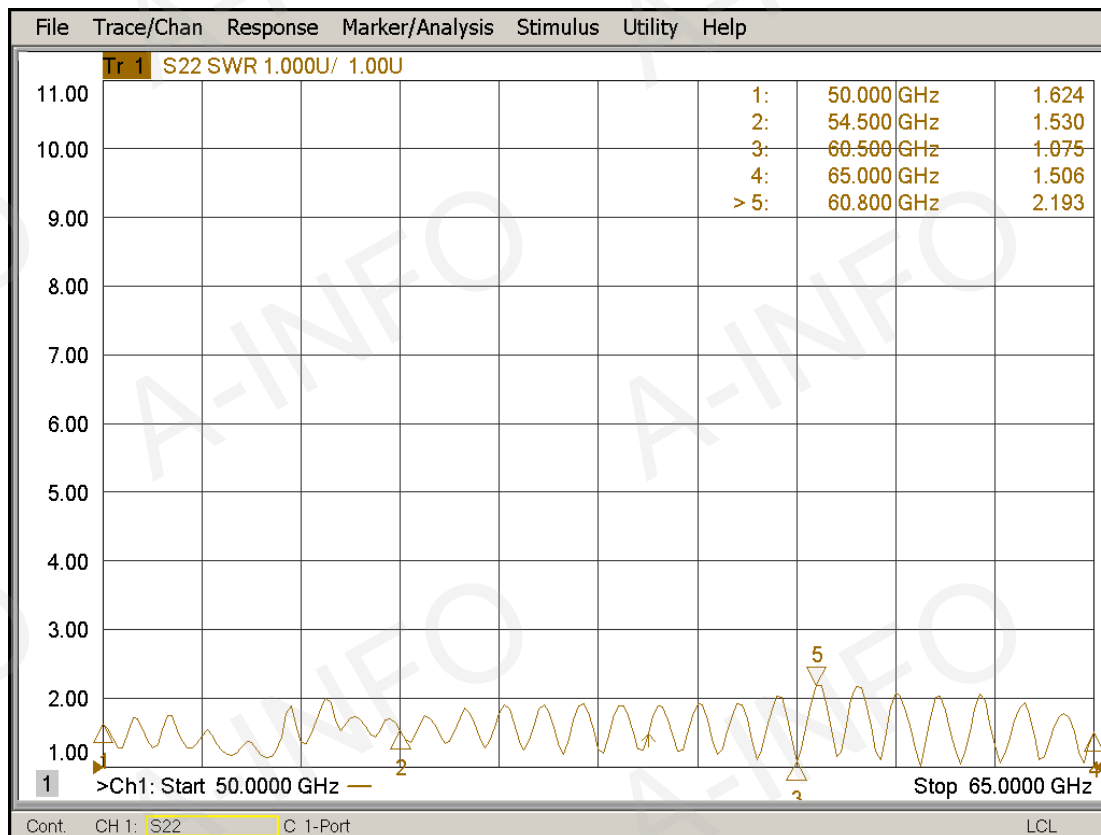
### 1. Gain & Antenna Factor



## 2. Cross Polarization Isolation



## 3. VSWR



## 4. Pattern

