

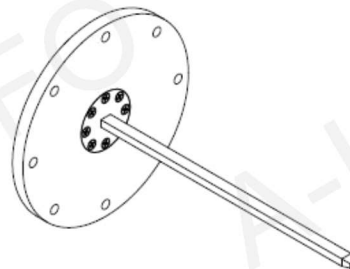
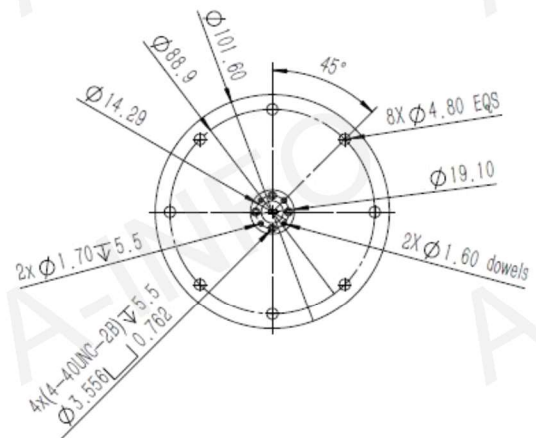
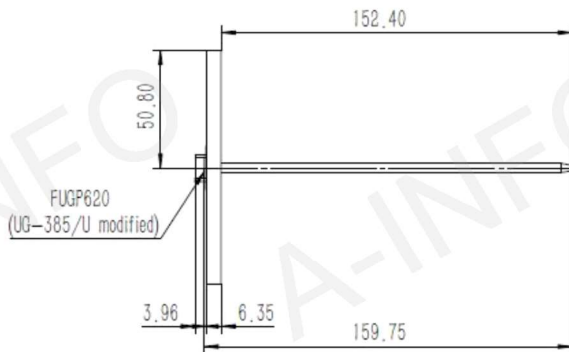
Technical Specification



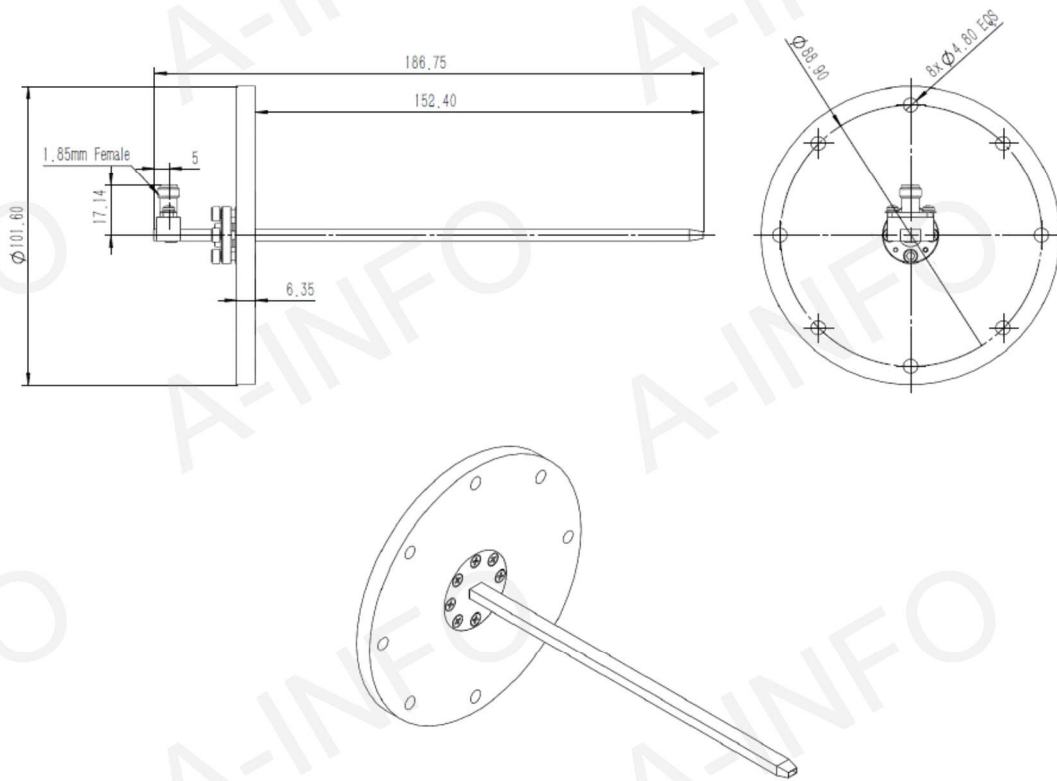
EIA WR	WR15	
Frequency Range(GHz)	15EWG	50.0 - 75.0
	15EWG1.85	50.0 - 65.0
Gain(dB)	5 Typ.	
VSWR	2.0 Typ.	
Connector	15EWG	FUGP620 (UG-385/U modified)
	15EWG1.85	1.85mm-F
Material	Cu	
Length(mm)	15EWG	159.75
	15EWG1.85	188.75
Net Weight(Kg)	15EWG	0.18 Around
	15EWG1.85	0.20 Around

Outline Drawing (Size: mm)

WG Output, FUGP620 (UG-385/U modified):

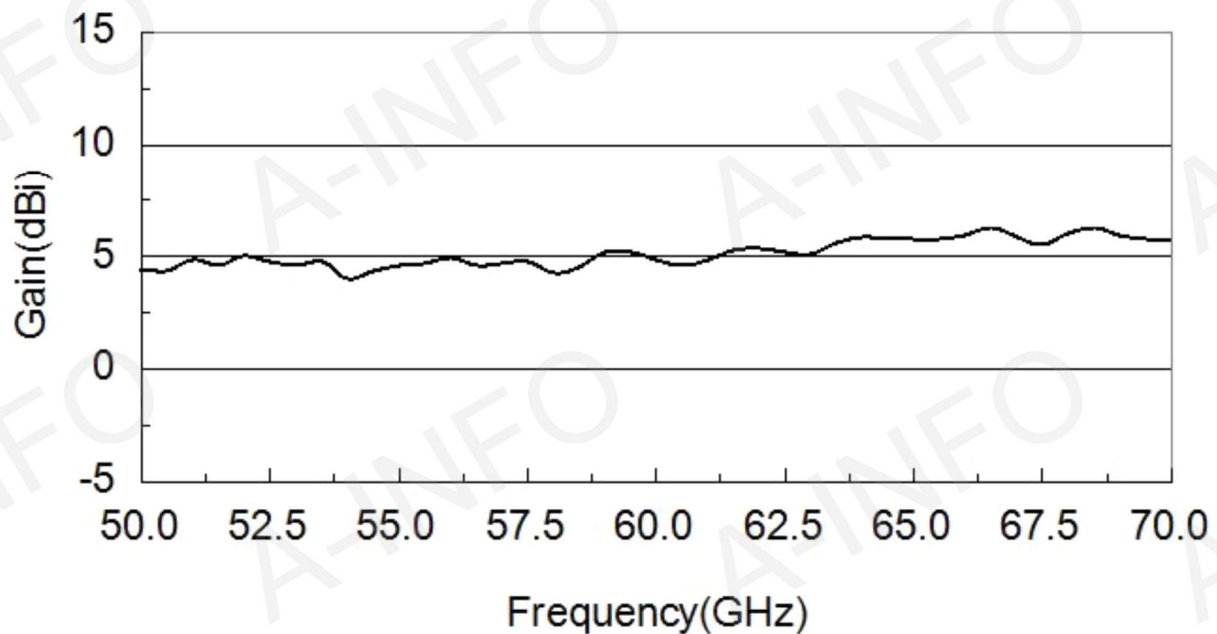


Coaxial Output, 1.85mm-Female:

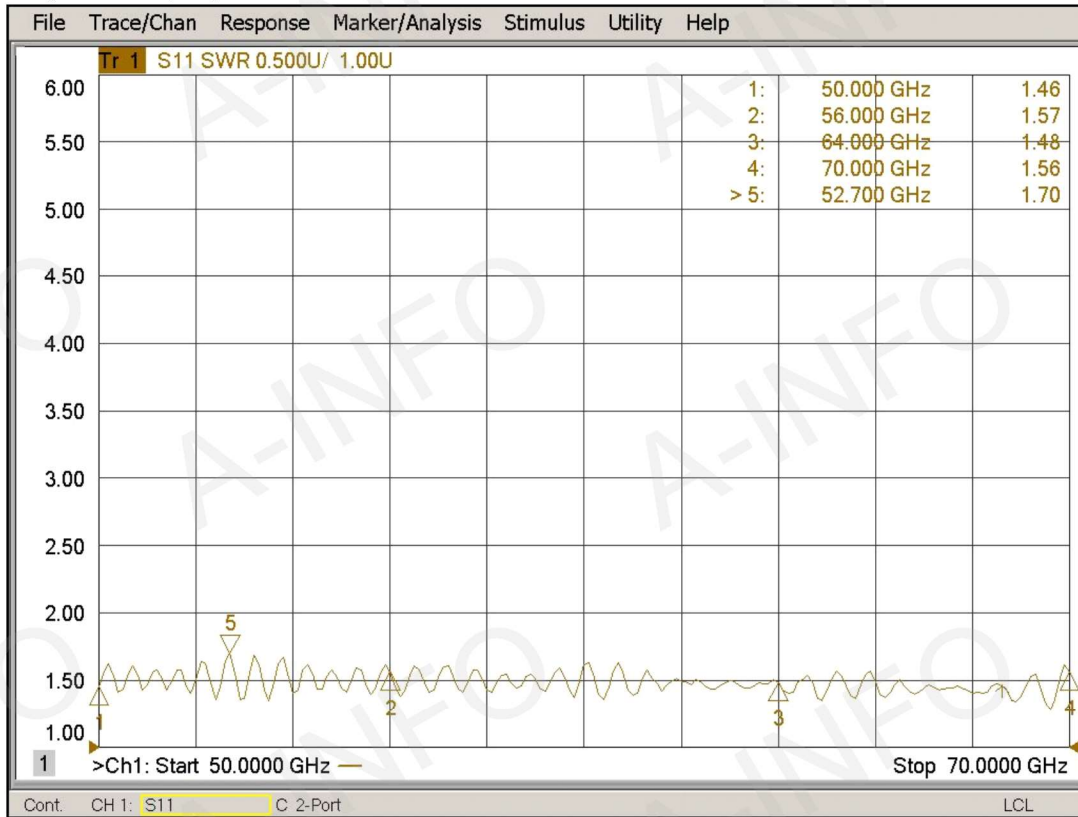


Test Results

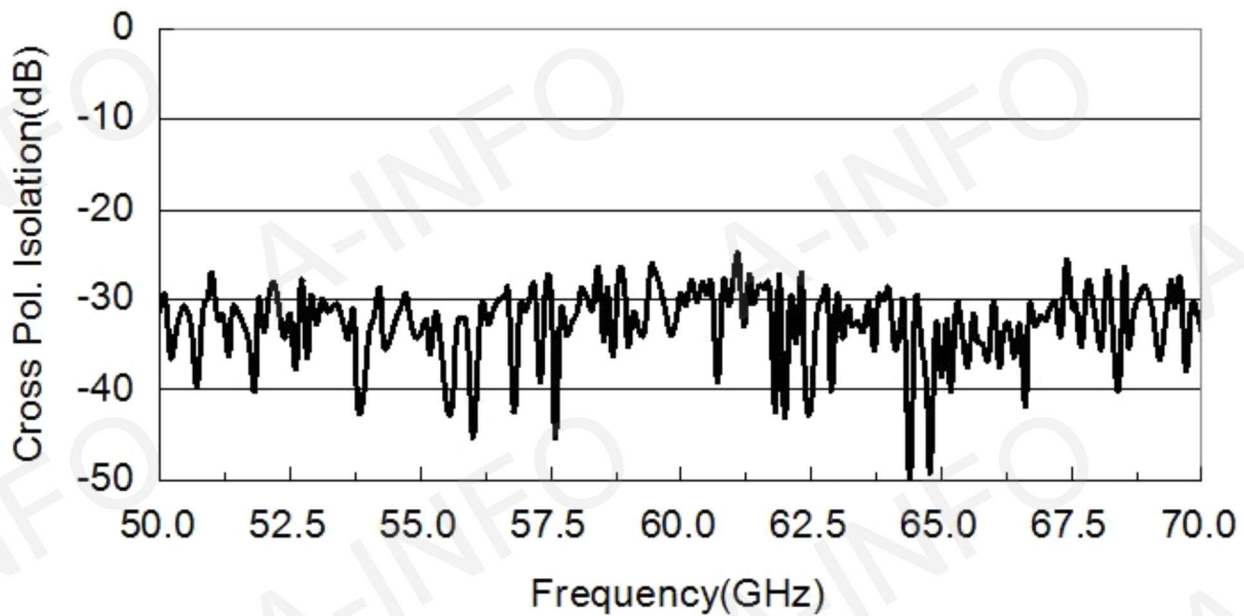
1. Gain



2. VSWR (WG Output)



3. Cross Polarization Isolation



3. Pattern

