

## Technical Specification

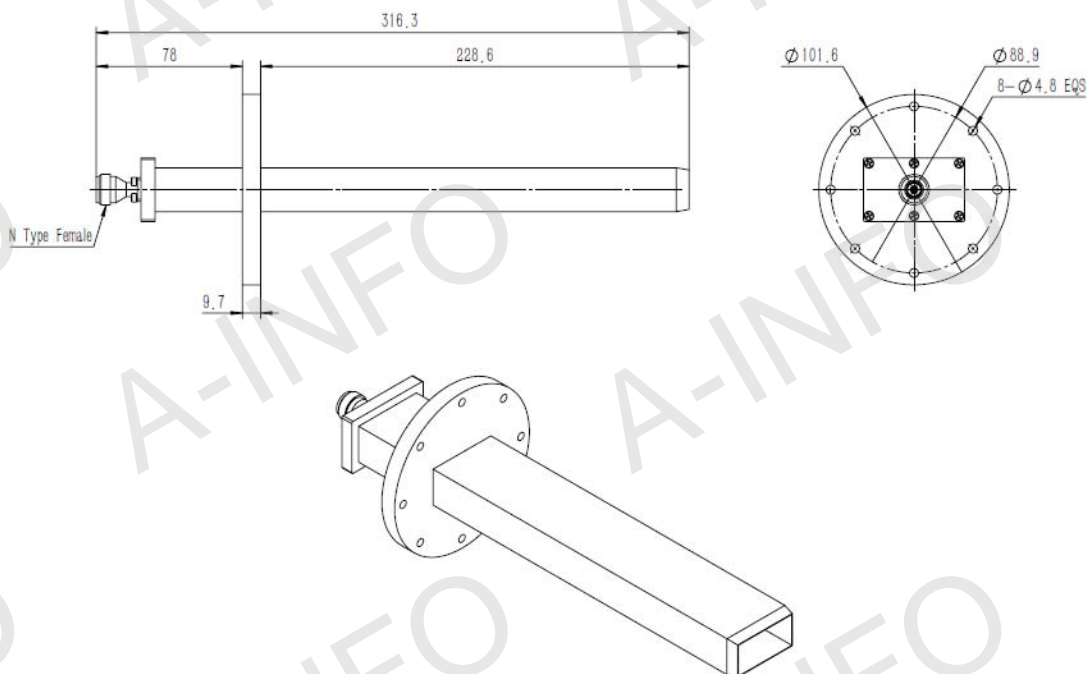


Frequency Range(GHz)	4.9 - 7.05
Waveguide	WR159
Gain(dBi)	5 Typ.
Polarization	Linear
3dB Beamwidth(deg)	E Plane: 95 Typ.
	H Plane: 63 Typ.
Cross Pol. Isolation(dB)	30 Typ.
VSWR	2.0:1 Typ.
Output	Endlaunch N-Female or Endlaunch SMA-Female
Material	Al
Size(mm)	101.6 x 101.6 x 316.3
Net Weight(Kg)	0.40 Around

## Outline Drawing (Size: mm)

159EWGEN (With Endlaunch N-Female Output)

For Endlaunch SMA-Female output outline drawing, please contact A-INFO.



## Test Results

### VSWR

