

## Technical Specification

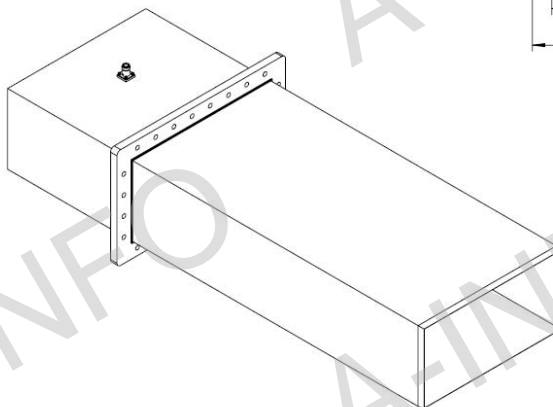
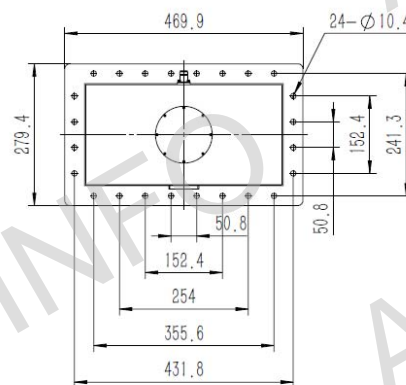
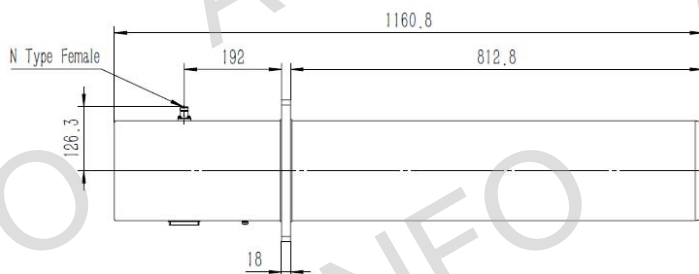


Frequency Range(GHz)	0.49 - 0.75
Waveguide	WR1500
Gain(dBi)	5 Typ.
Polarization	Linear
3dB Beamwidth(deg)	E Plane: 98 Typ.
	H Plane: 68 Typ.
Cross Pol. Isolation(dB)	30 Typ.
VSWR	2.0:1 Typ.
Output	N-Female
	or SMA-Female
	or 7/16-Female
Material	Al
Size(mm)	469.9 x 279.4 x 1160.8
Net Weight(Kg)	14.75 Around

## Outline Drawing (Size: mm)

1500EWGN (With N-Female Output)

For SMA-Female or 7/16-Female output outline drawing, please contact A-INFO.



## Test Results

### VSWR

