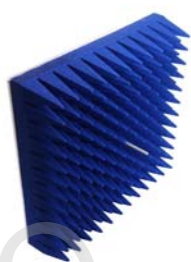


## Technical Specification

12EWG1.0



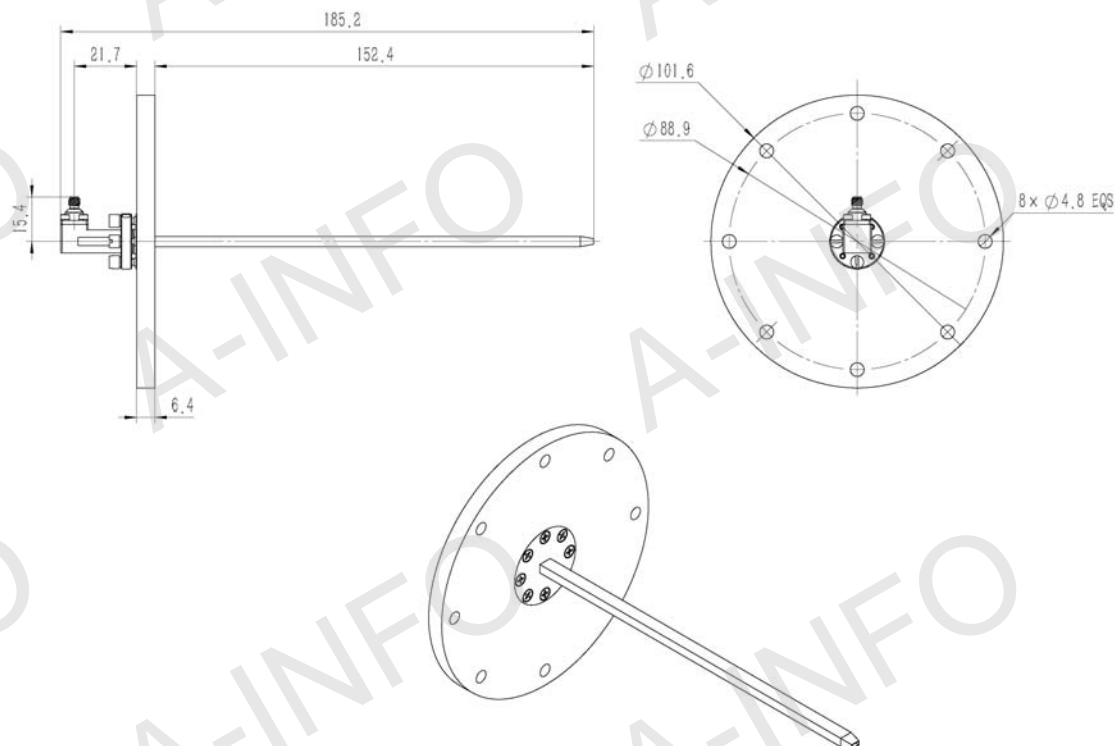
12EWG1.0-A1



Frequency Range(GHz)	60.0 – 90.0	
Waveguide	WR10	
Gain(dBi)	6 Typ.	
Polarization	Linear	
3dB Beamwidth(deg)	E Plane:	96 Typ.
	H Plane:	60 Typ.
Cross Pol. Isolation(dB)	35 Typ.	
VSWR	2.0:1 Typ.	
Output	1.0mm-Female	
Material	Cu	
Size(mm)	12EWG1.0:	101.6 x 101.6 x 185.2
	12EWG1.0-A1:	399.6 x 399.6 x 185.2
Net Weight(Kg)	12EWG1.0:	0.20 Around
	12EWG1.0-A1:	2.45 Around

## Outline Drawing (Size: mm)

1.0mm-Female Output (P/N: 12EWG1.0)



**AINFO Inc.**

China(Beijing):  
China(Chengdu):  
USA :

Tel: (+86) 10-6266-7326,  
Tel: (+86) 28-8519-2786,  
Tel: (+1) 949-639-9688,

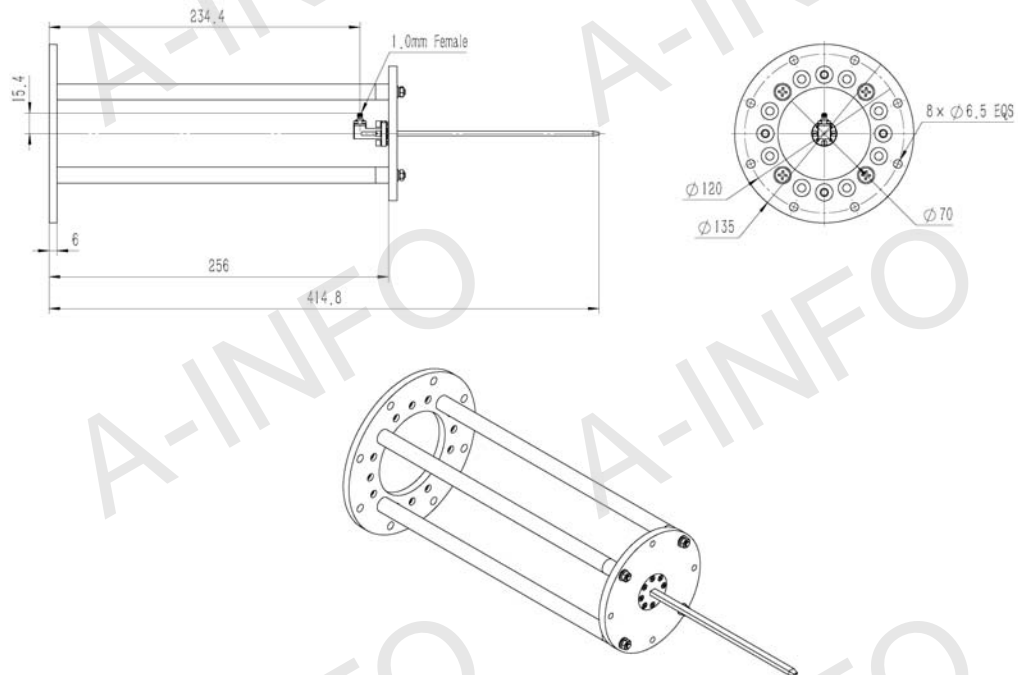
(+86) 10-6266-7327  
(+86) 28-8519-3044  
(+1) 949-639-9608

Page 1 of 7

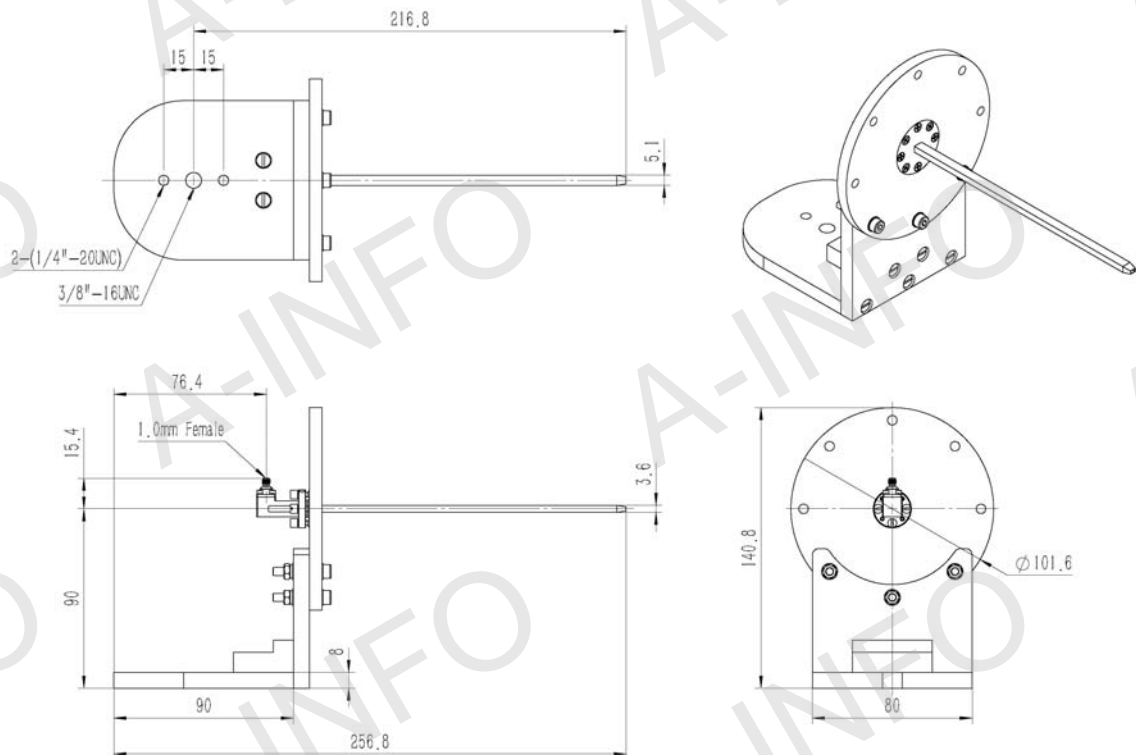
Fax: (+86) 10-6266-7379  
Fax: (+86) 28-8519-3068  
Fax: (+1) 949-639-9670

Website: [www.ainfoinc.com](http://www.ainfoinc.com)  
Email: [sales@ainfoinc.com](mailto:sales@ainfoinc.com)

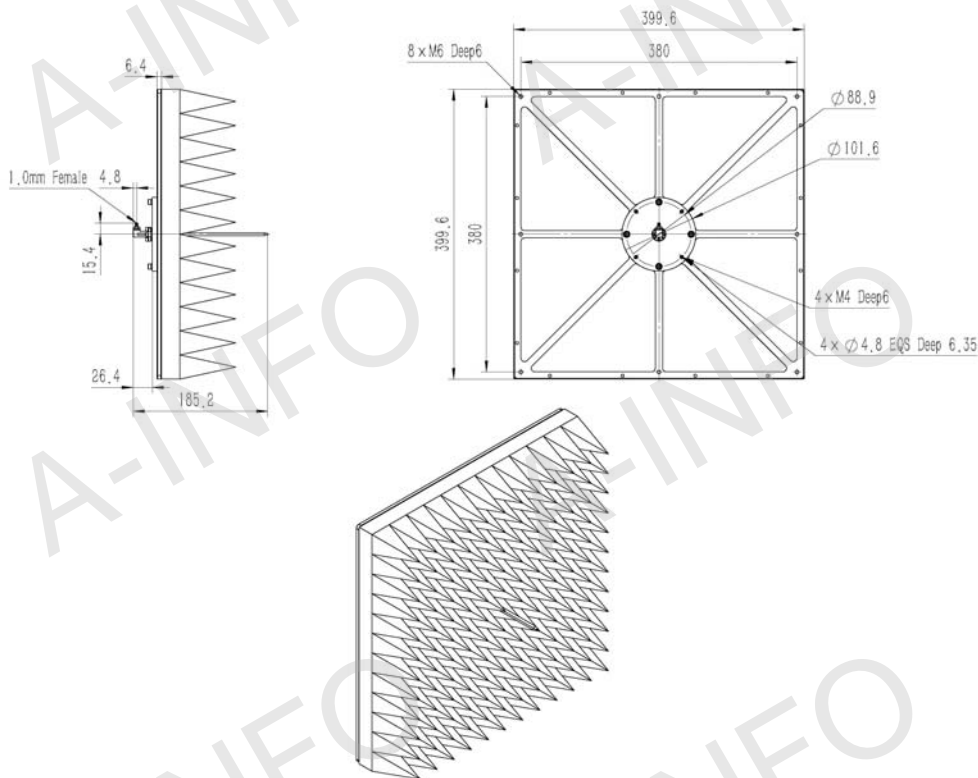
1.0mm-Female Output with Round Mounting Bracket (Option, P/N: EWG-MB40)



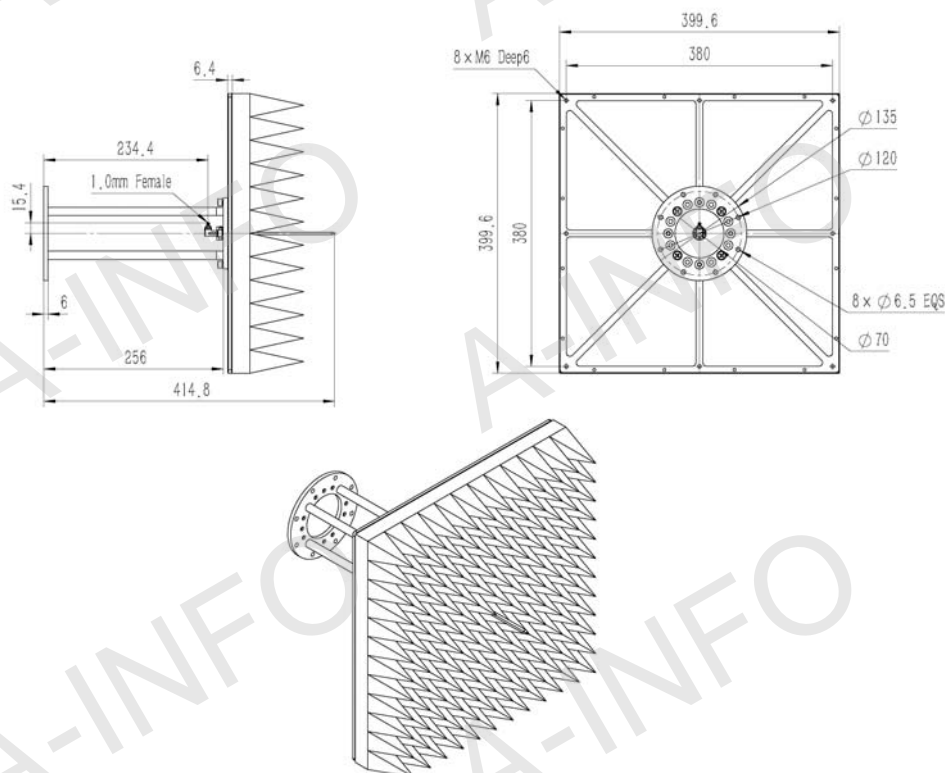
1.0mm-Female Output with L Type Mounting Bracket (Option, P/N: EWG-L30/FRP)



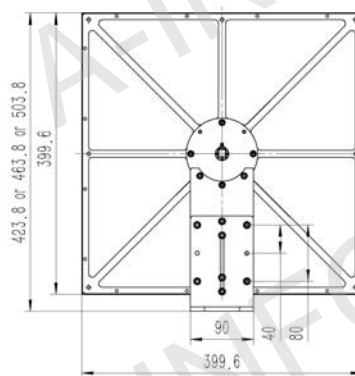
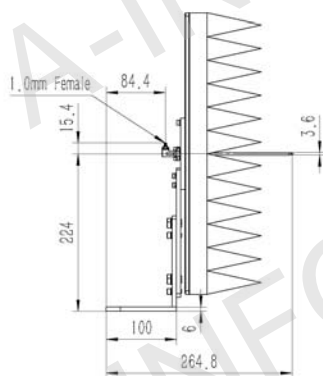
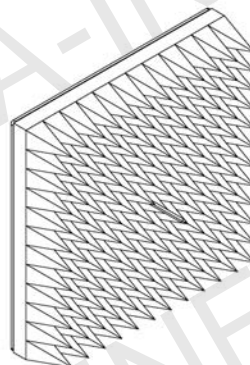
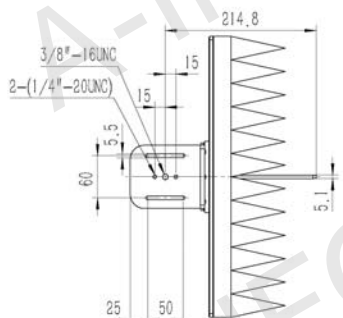
1.0mm-Female Output, Equipped with Absorber (Option, P/N: 12EWG1.0-A1)



1.0mm-Female Output with Round Mounting Bracket & Equipped with Absorber (Option, P/N: EWG-MB40 & 12EWG1.0-A1)

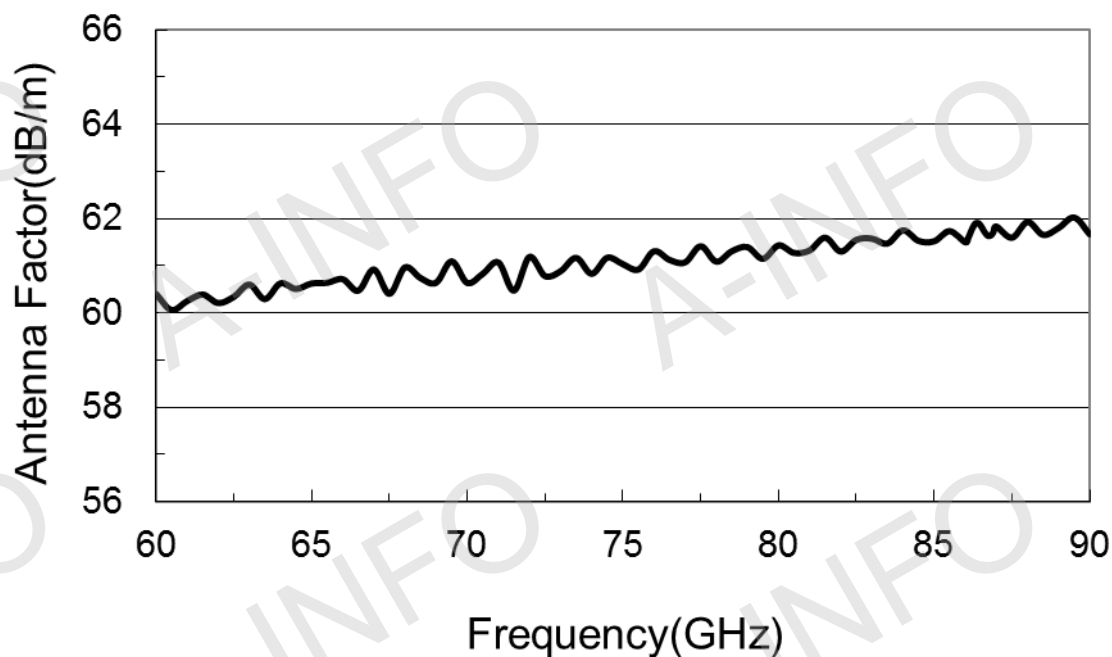
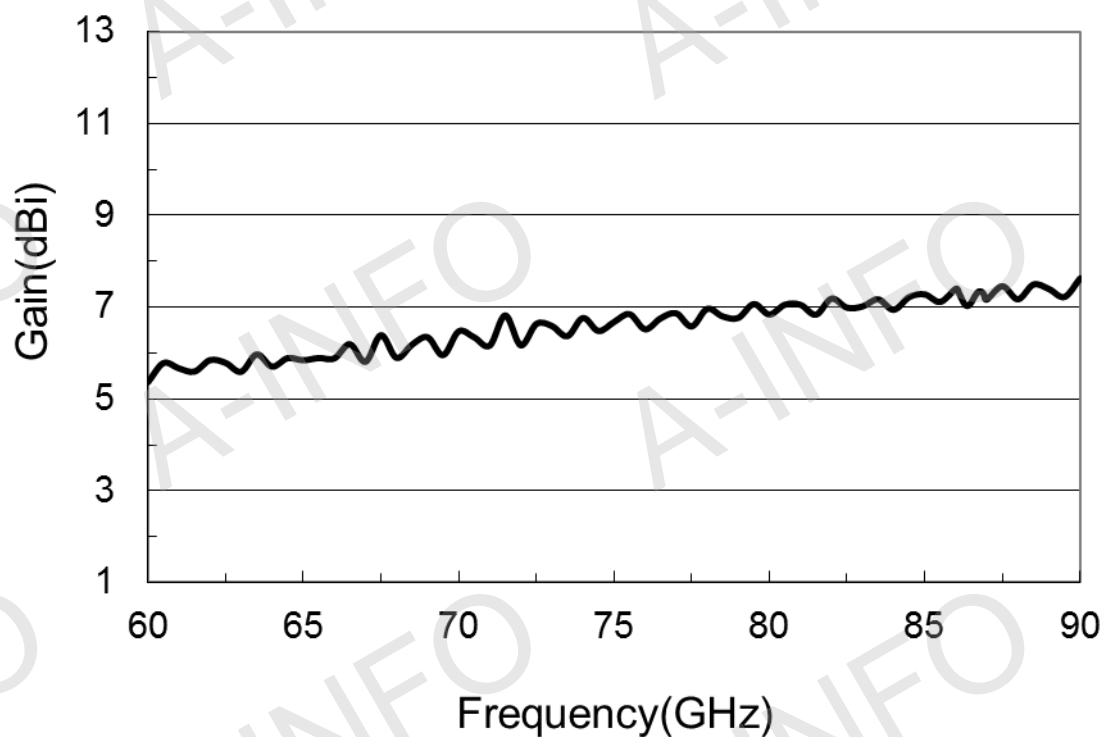


1.0mm-Female Output with L Type Mounting Bracket & Equipped with Absorber (Option, P/N: EWG-L30/FRP & 12EWG1.0-A1)

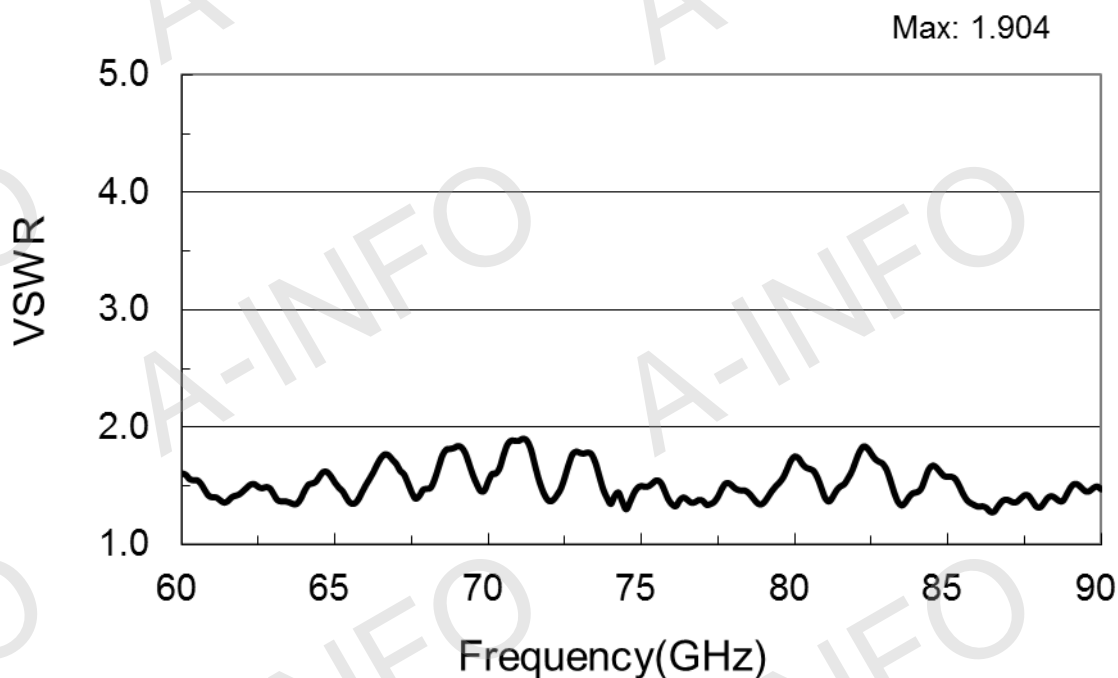


## Test Results

### 1. Gain & Antenna Factor



## 2. VSWR



## 3. Pattern

