

Technical Specification

12EWG



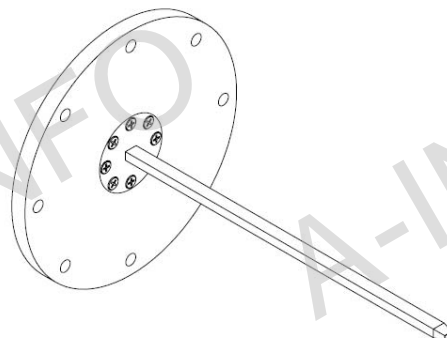
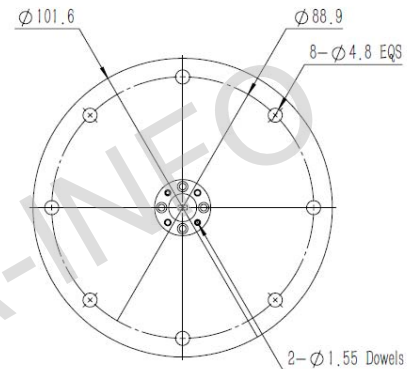
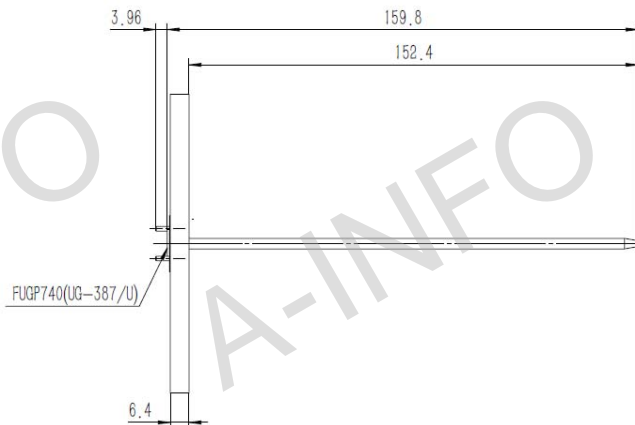
12EWG-A1



Frequency Range(GHz)	60.0 - 90.0
Waveguide	WR12
Gain(dBi)	6 Typ.
Polarization	Linear
3dB Beamwidth(deg)	E Plane: 96 Typ.
	H Plane: 60 Typ.
Cross Pol. Isolation(dB)	35 Typ.
VSWR	1.5:1 Typ.
Output	FUGP740(UG-387/U)
Material	Cu
Size(mm)	12EWG: 101.6 x 101.6 x 159.8
	12EWG-A1: 399.6 x 399.6 x 159.8
Net Weight(Kg)	12EWG: 0.17 Around
	12EWG-A1: 2.42 Around

Outline Drawing (Size: mm)

12EWG (With FUGP740 Output)



AINFO Inc.

Page 1 of 7

China(Beijing):
China(Chengdu):
USA :

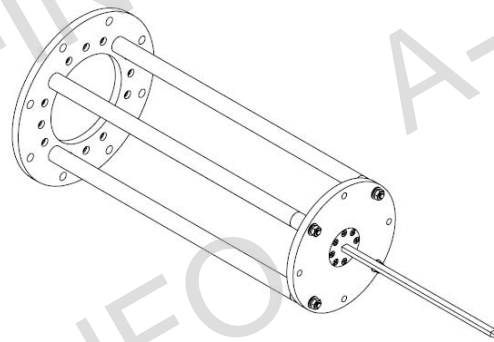
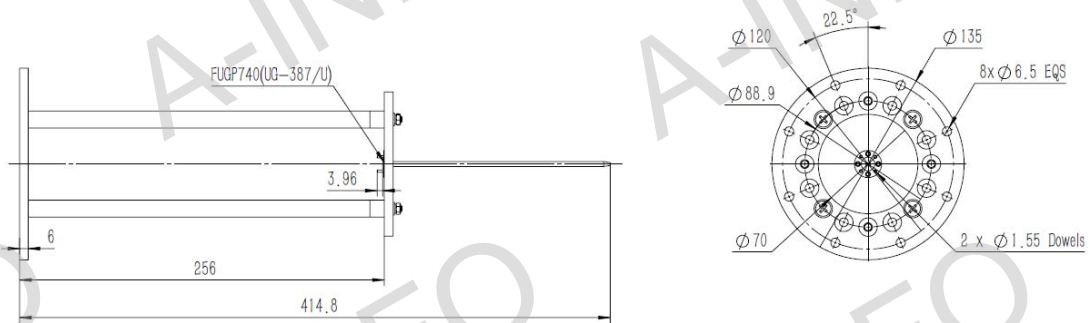
Tel: (+86) 10-6266-7326,
Tel: (+86) 28-8519-2786,
Tel: (+1) 949-639-9688,

(+86) 10-6266-7327
(+86) 28-8519-3044
(+1) 949-639-9608

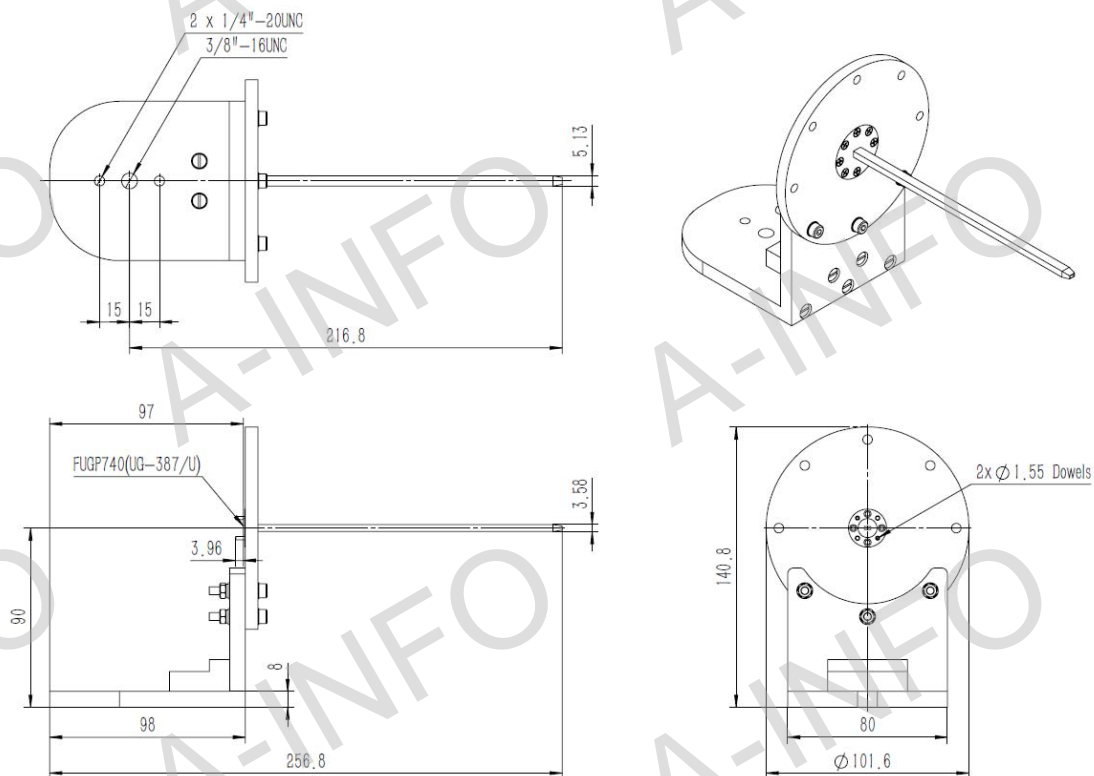
Fax: (+86) 10-6266-7379
Fax: (+86) 28-8519-3068
Fax: (+1) 949-639-9670

Website: www.ainfoinc.com
Email: sales@ainfoinc.com

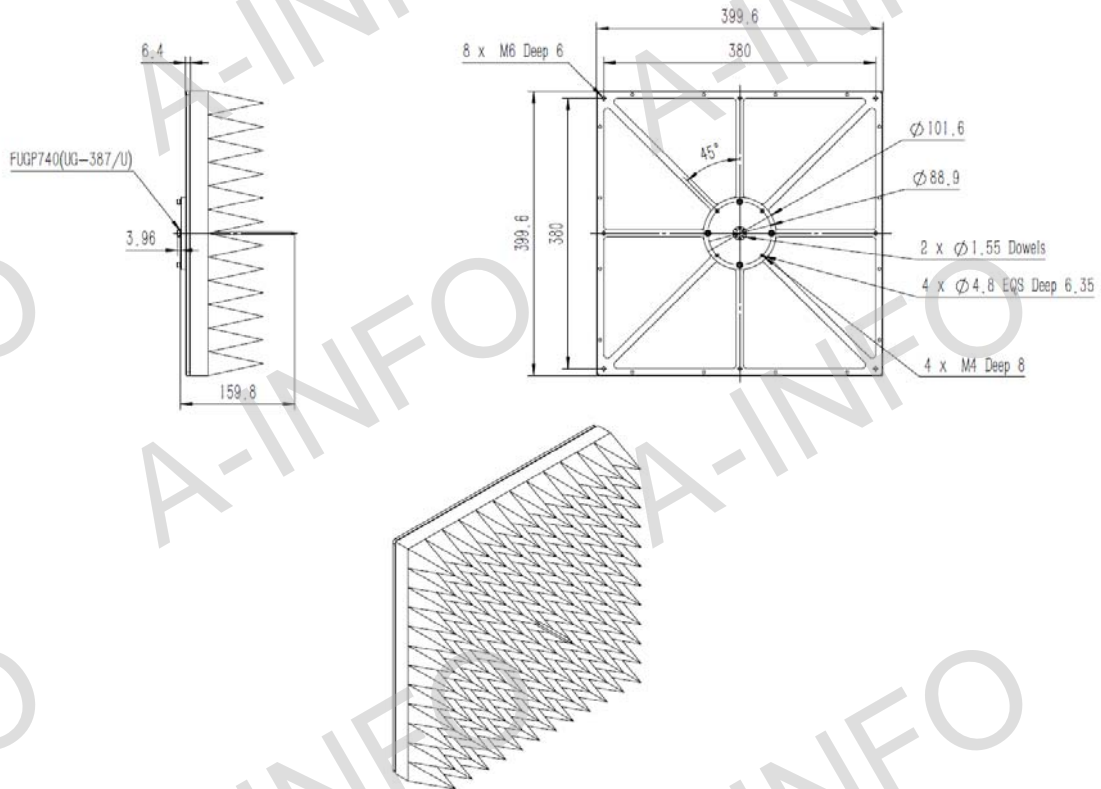
12EWG (With FUGP740 Output & Round Mounting Bracket)



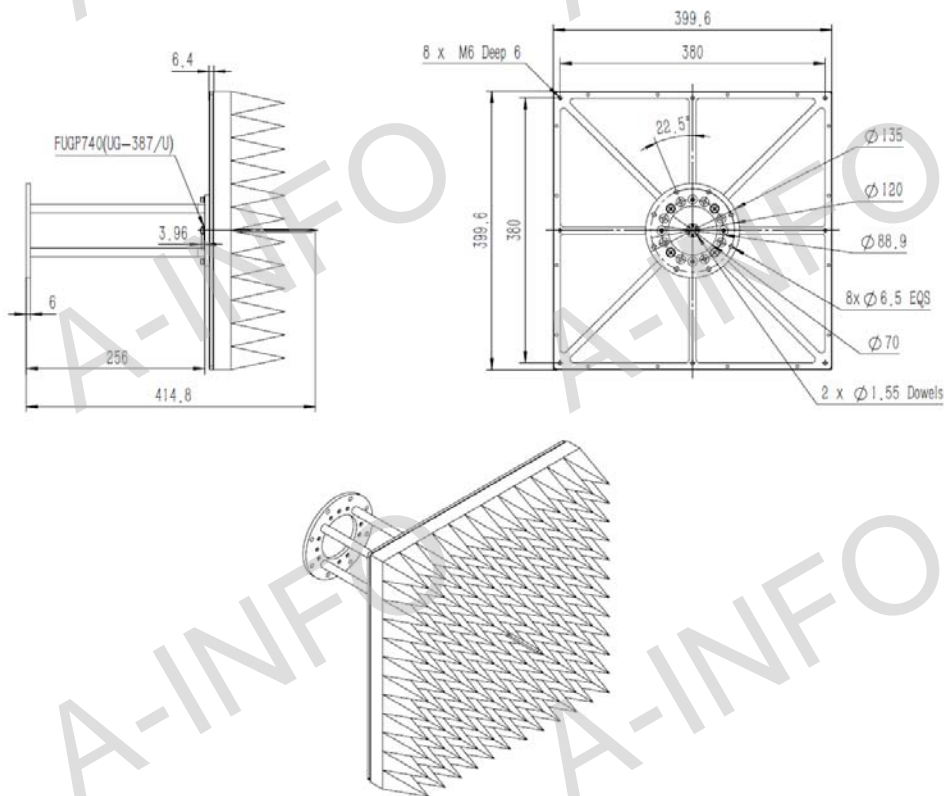
12EWG (With FUGP740 Output & L Type Mounting Bracket)



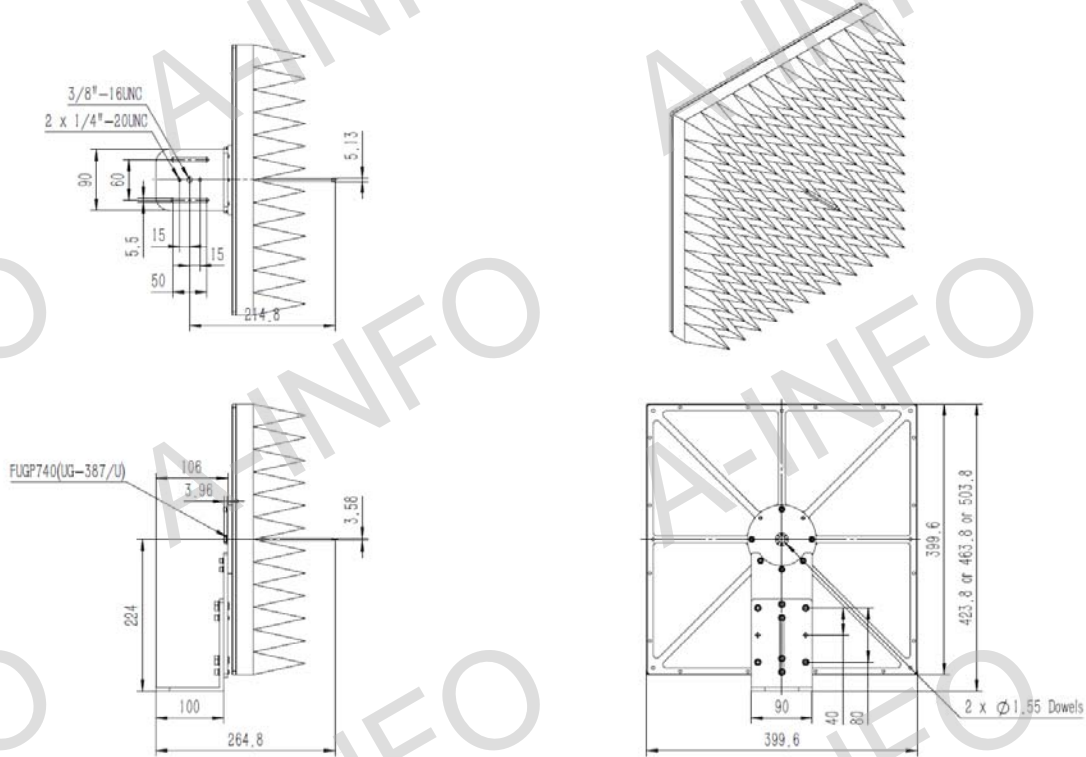
12EWG-A1 (With FUGP740 Output, Equipped with Absorber)



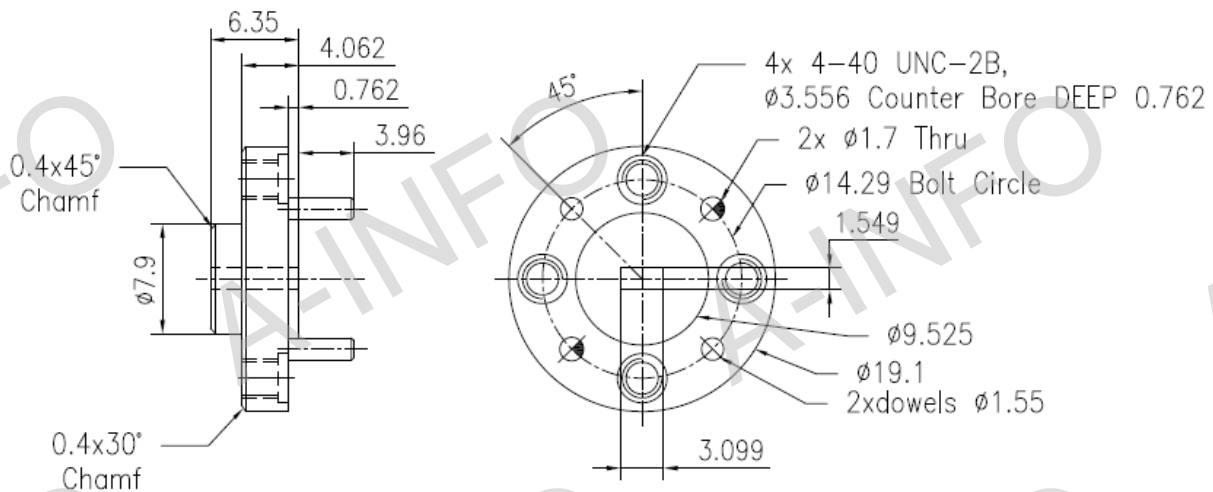
12EWG-A1 (With FUGP740 Output & Round Mounting Bracket, Equipped with Absorber)



12EWG-A1 (With FUGP740 Output & L Type Mounting Bracket, Equipped with Absorber)



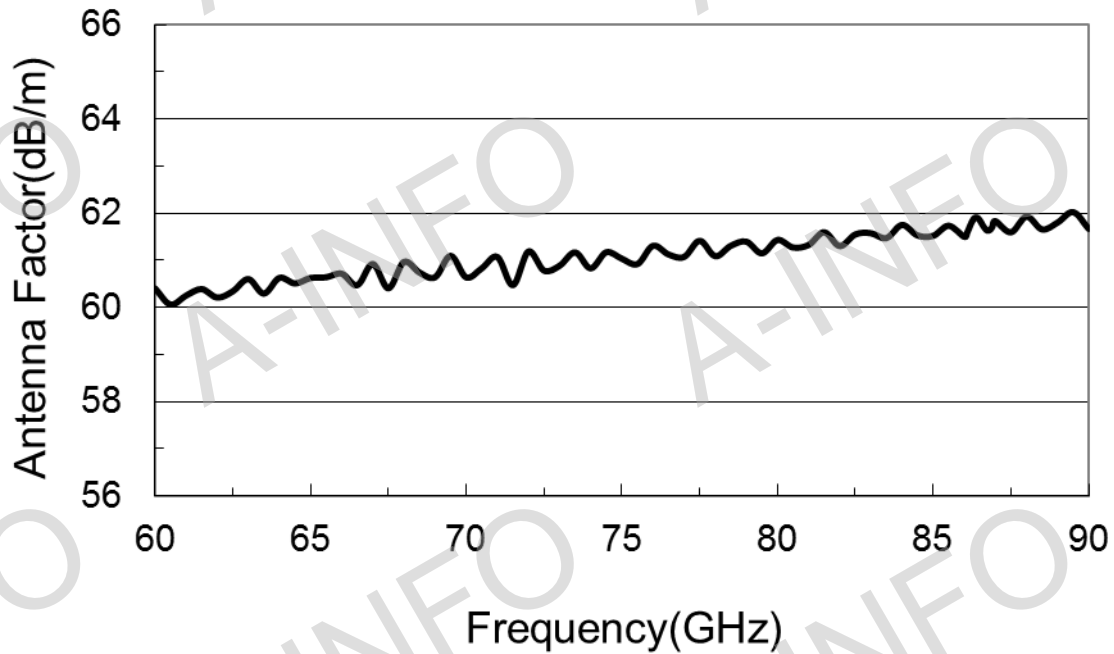
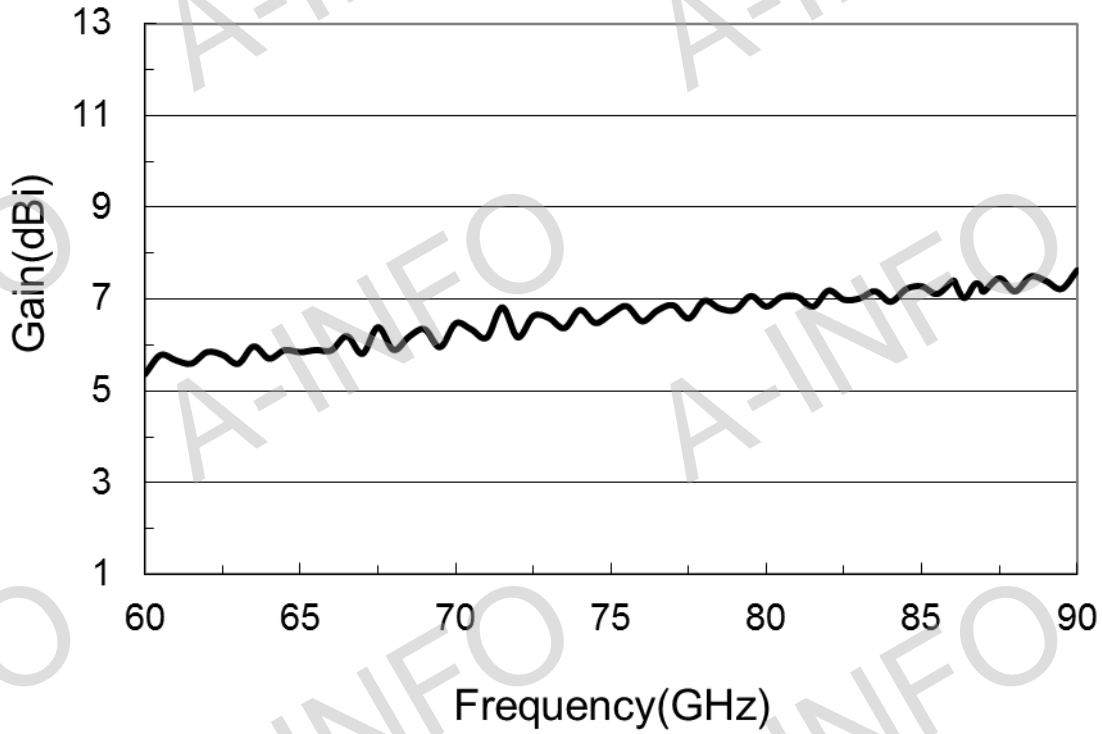
Flange Drawing (Size: mm)



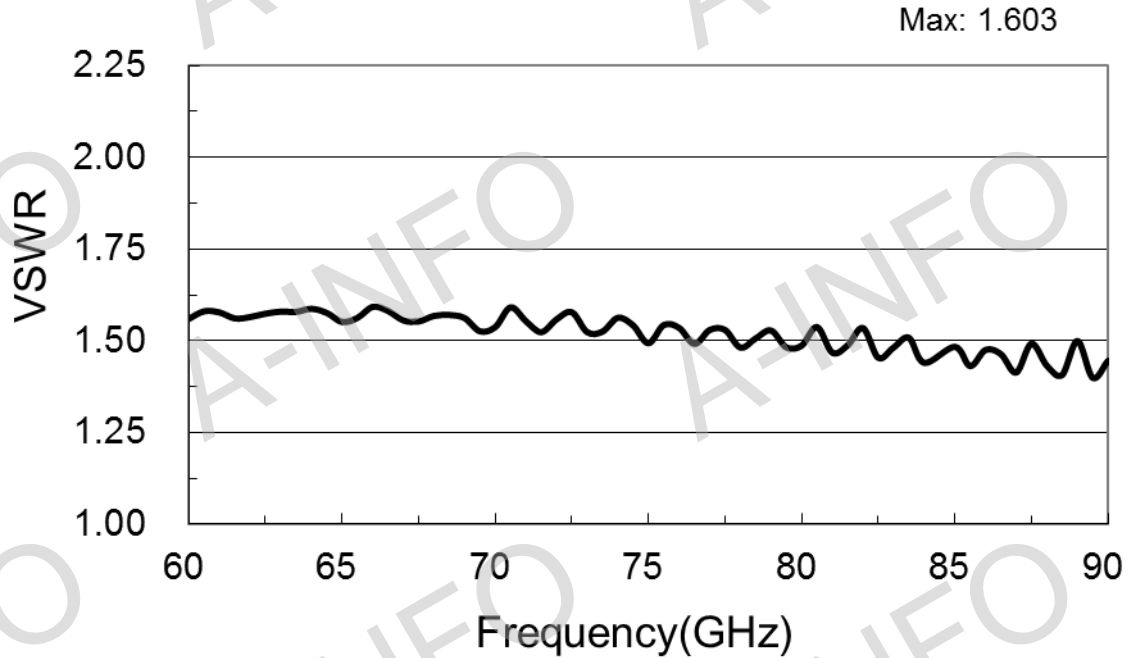
FUGP740
(equivalent to UG-387/U)

Test Results

1. Gain & Antenna Factor



2. VSWR



3. Pattern

