

## Technical Specification

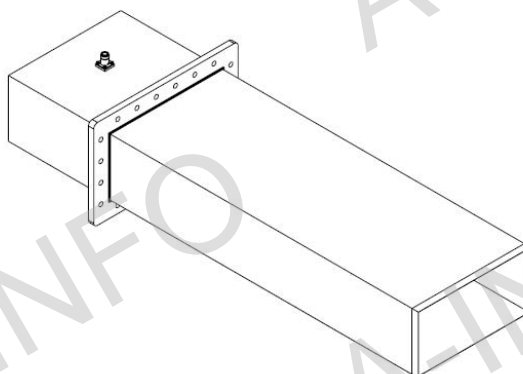
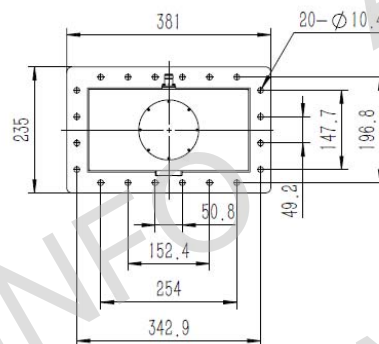
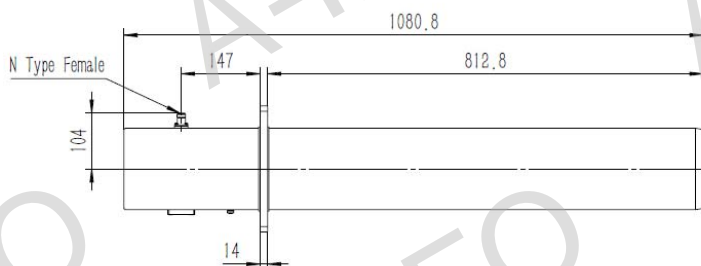


Frequency Range(GHz)	0.64 - 0.96
Waveguide	WR1150
Gain(dBi)	5 Typ.
Polarization	Linear
3dB Beamwidth(deg)	E Plane: 97 Typ.
	H Plane: 61 Typ.
Cross Pol. Isolation(dB)	30 Typ.
VSWR	2.0:1 Typ.
Output	N-Female
	or SMA-Female
	or 7/16-Female
Material	Al
Size(mm)	381 x 235 x 1080.8
Net Weight(Kg)	10.0 Around

## Outline Drawing (Size: mm)

1150EWGN (With N-Female Output)

For SMA-Female or 7/16-Female output outline drawing, please contact A-INFO.



## Test Results

### VSWR

