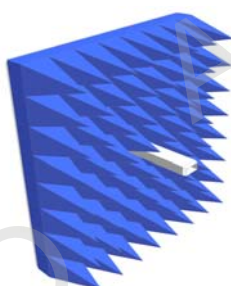


Technical Specification



112EWGN-A1

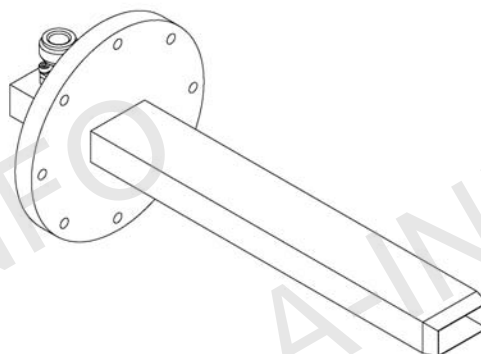
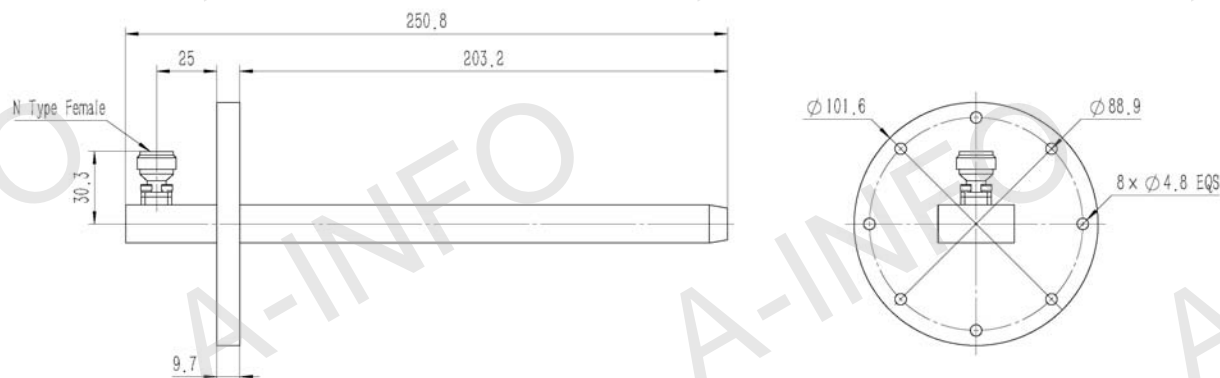


Frequency Range(GHz)	7.05 - 10.0	
Waveguide	WR112	
Gain(dBi)	5 Typ.	
Polarization	Linear	
3dB Beamwidth(deg)	E Plane:	96 Typ.
	H Plane:	59 Typ.
Cross Pol. Isolation(dB)	30 Typ.	
VSWR	2.0:1 Typ.	
Output	N-Female or SMA-Female or TNC-Female or 7mm or 3.5mm-Female	
Material	Al	
Size(mm)	112EWGx:	101.6 x 101.6 x 250.8
	112EWGx-A1:	400 x 400 x 250.8
Net Weight(Kg)	112EWGx:	0.30 Around
	112EWGx-A1:	2.80 Around

Outline Drawing (Size: mm)

N-Female Output (P/N: 112EWGN)

For SMA-Female, TNC-Female, 7mm or 3.5mm-Female output outline drawing, please contact A-INFO.



AINFO Inc.

China(Beijing):
China(Chengdu):
USA :

Tel: (+86) 10-6266-7326,
Tel: (+86) 28-8519-2786,
Tel: (+1) 949-639-9688,

(+86) 10-6266-7327
(+86) 28-8519-3044
(+1) 949-639-9608

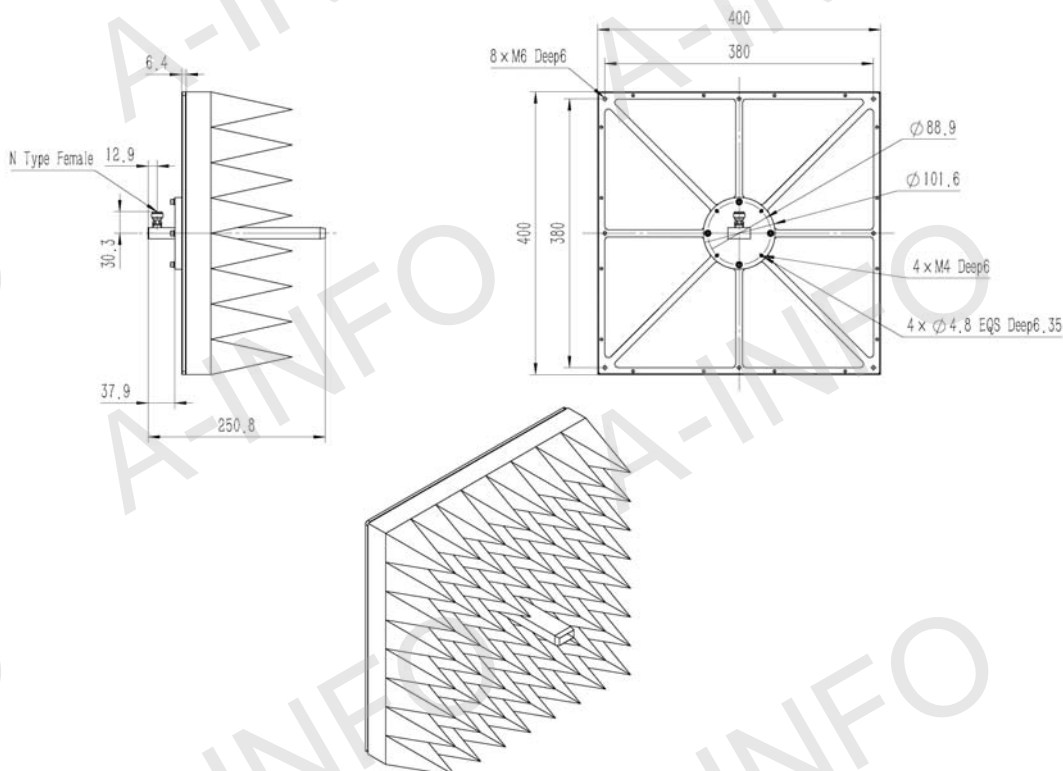
Page 1 of 3

Fax: (+86) 10-6266-7379
Fax: (+86) 28-8519-3068
Fax: (+1) 949-639-9670

Website: www.ainfoinc.com
Email: sales@ainfoinc.com

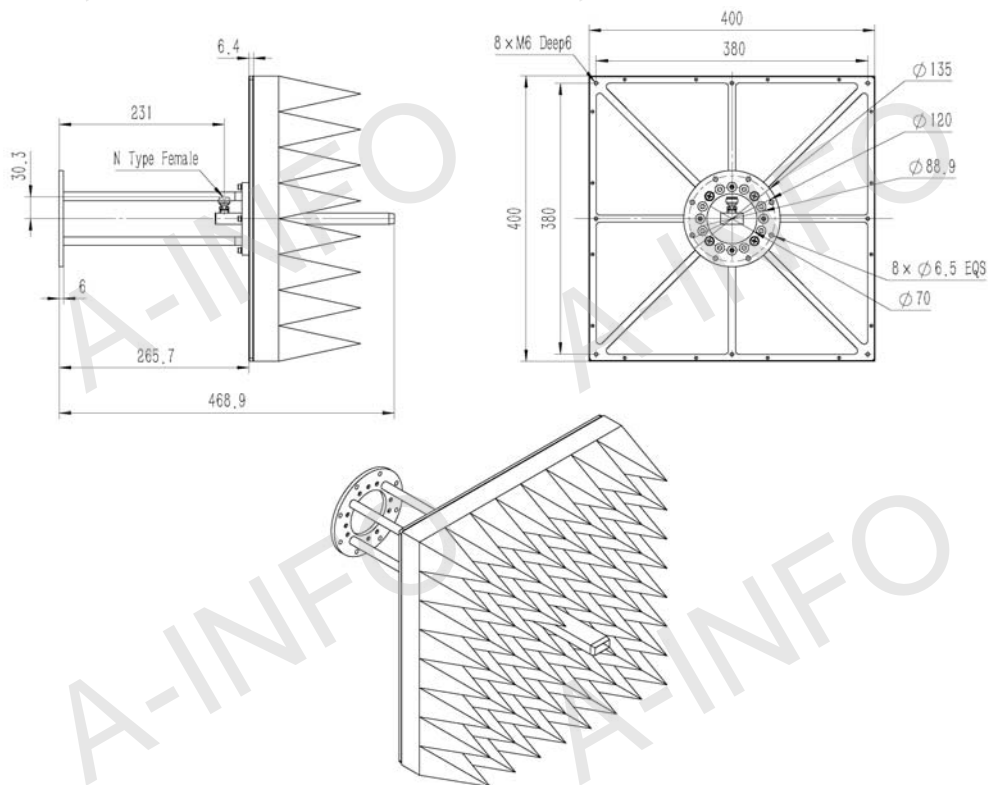
N-Female Output, Equipped with Absorber (Option, P/N: 112EWGN-A1)

For SMA-Female, TNC-Female, 7mm or 3.5mm-Female output outline drawing, please contact A-INFO.



N-Female Output with Round Mounting Bracket & Equipped with Absorber (Option, P/N: EWG-MB40 & 112EWGN-A1)

For SMA-Female, TNC-Female, 7mm or 3.5mm-Female output outline drawing, please contact A-INFO.



Test Results

VSWR

