

## Technical Specification

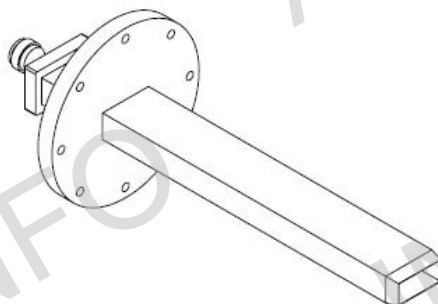
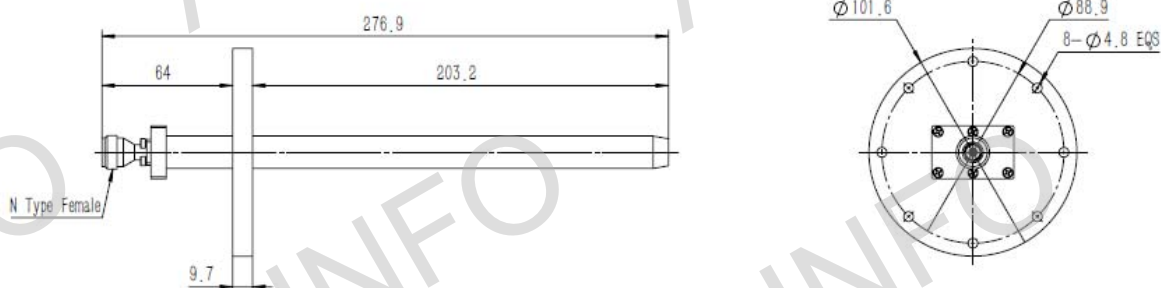


|                          |   |
|--------------------------|---|
| Frequency Range(GHz)     | 7.05 - 10.0                                   |
| Waveguide                | WR112   |
| Gain(dBi)                | 5 Typ.  |
| Polarization             | Linear  |
| 3dB Beamwidth(deg)       | E Plane: 96 Typ.                              |
|                          | H Plane: 59 Typ.                              |
| Cross Pol. Isolation(dB) | 30 Typ.                                       |
| VSWR                     | 2.0:1 Typ.                                    |
| Output                   | Endlaunch N-Female<br>or Endlaunch SMA-Female |
| Material                 | Al  |
| Size(mm)                 | 101.6 x 101.6 x 276.9                         |
| Net Weight(Kg)           | 0.30 Around                                   |

## Outline Drawing (Size: mm)

112EWGEN (With Endlaunch N-Female Output)

For Endlaunch SMA-Female output outline drawing, please contact A-INFO.



## Test Results

### VSWR

