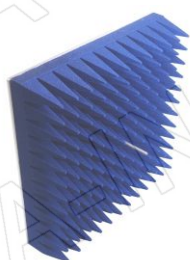


Technical Specification

10EWG1.0



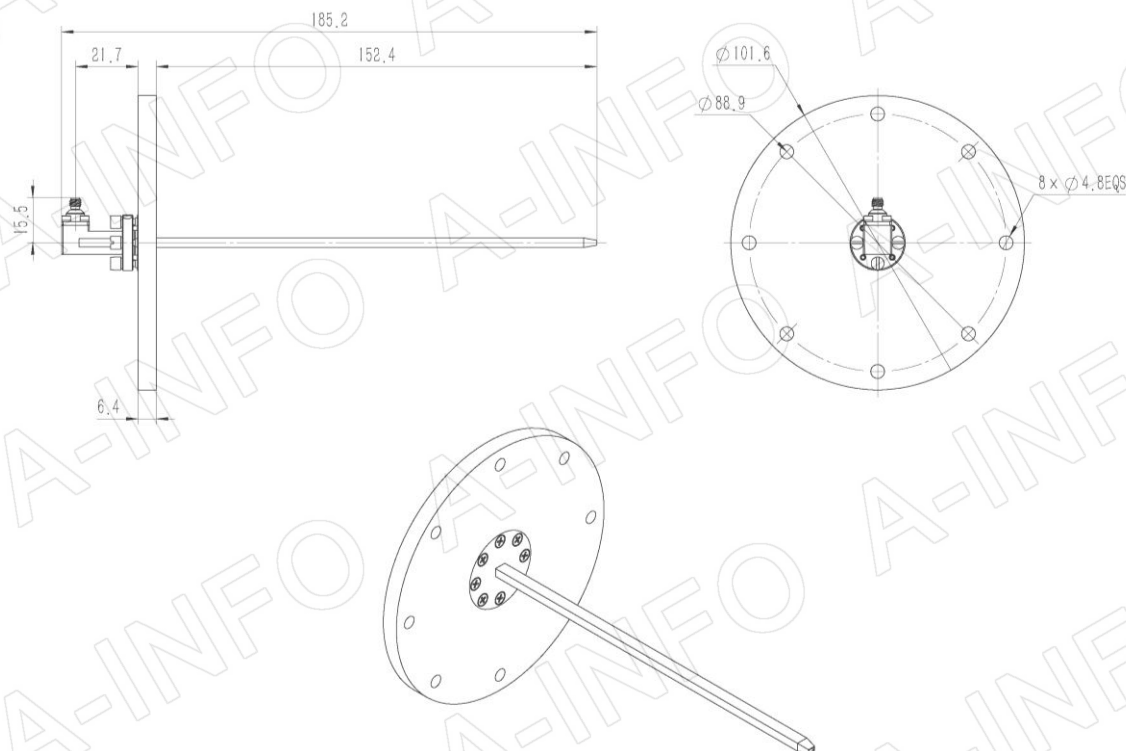
10EWG1.0-A1



Frequency Range(GHz)	75.0 – 110.0	
Waveguide	WR10	
Gain(dBi)	6 Typ.	
Polarization	Linear	
3dB Beamwidth(deg)	E Plane:	90 Typ.
	H Plane:	60 Typ.
Cross Pol. Isolation(dB)	35 Typ.	
VSWR	2.0:1 Typ.	
Output	1.0mm-Female	
Material	Cu	
Size(mm)	10EWG1.0:	101.6 x 101.6 x 185.2
	10EWG1.0-A1:	399.6 x 399.6 x 185.2
Net Weight(Kg)	10EWG1.0:	0.20 Around
	10EWG1.0-A1:	2.45 Around

Outline Drawing (Size: mm)

1.0mm-Female Output (P/N: 10EWG1.0)



AINFO Inc.

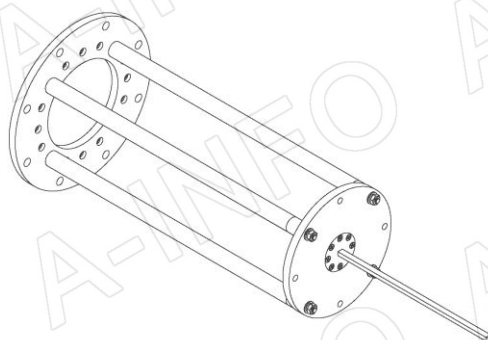
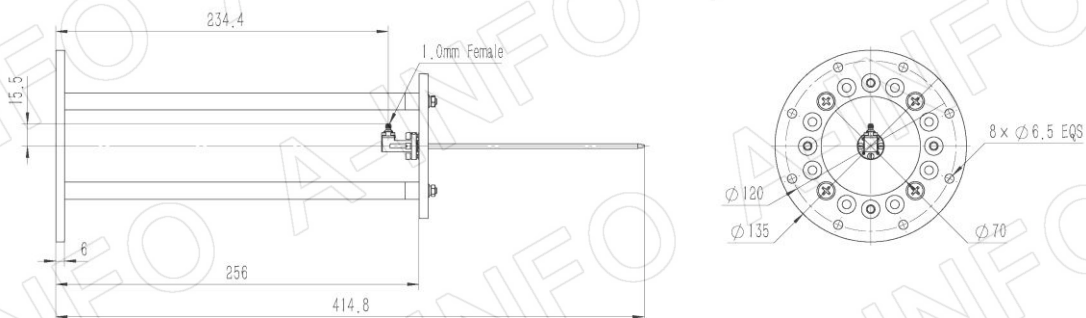
China(Beijing): Tel: (+86) 10-6266-7326,
China(Chengdu): Tel: (+86) 28-8519-2786,
USA: Tel: (+1) 949-639-9688,

(+86) 10-6266-7327 Fax: (+86) 10-6266-7379
(+86) 28-8519-3044 Fax: (+86) 28-8519-3068
(+1) 949-639-9608 Fax: (+1) 949-639-9670

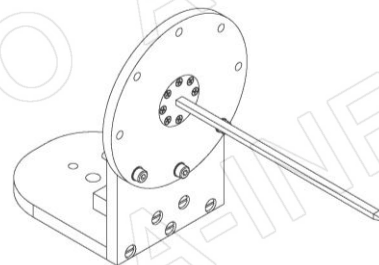
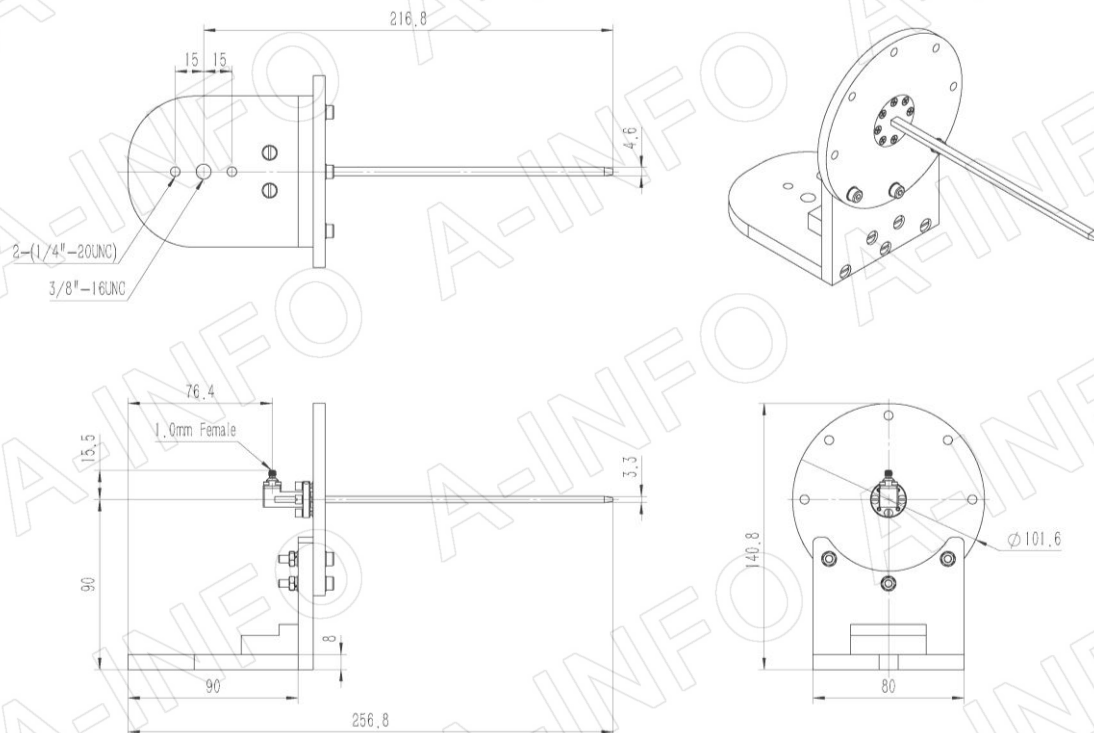
Page 1 of 7

Website: www.ainfoinc.com
Email: sales@ainfoinc.com

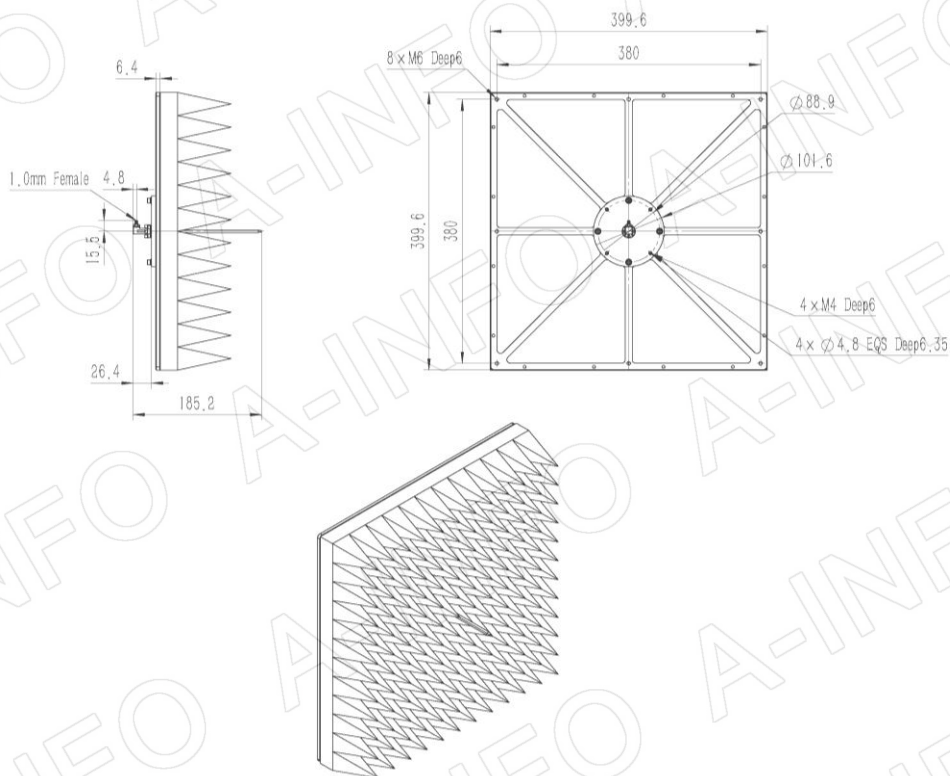
1.0mm-Female Output with Round Mounting Bracket (Option, P/N: EWG-MB40)



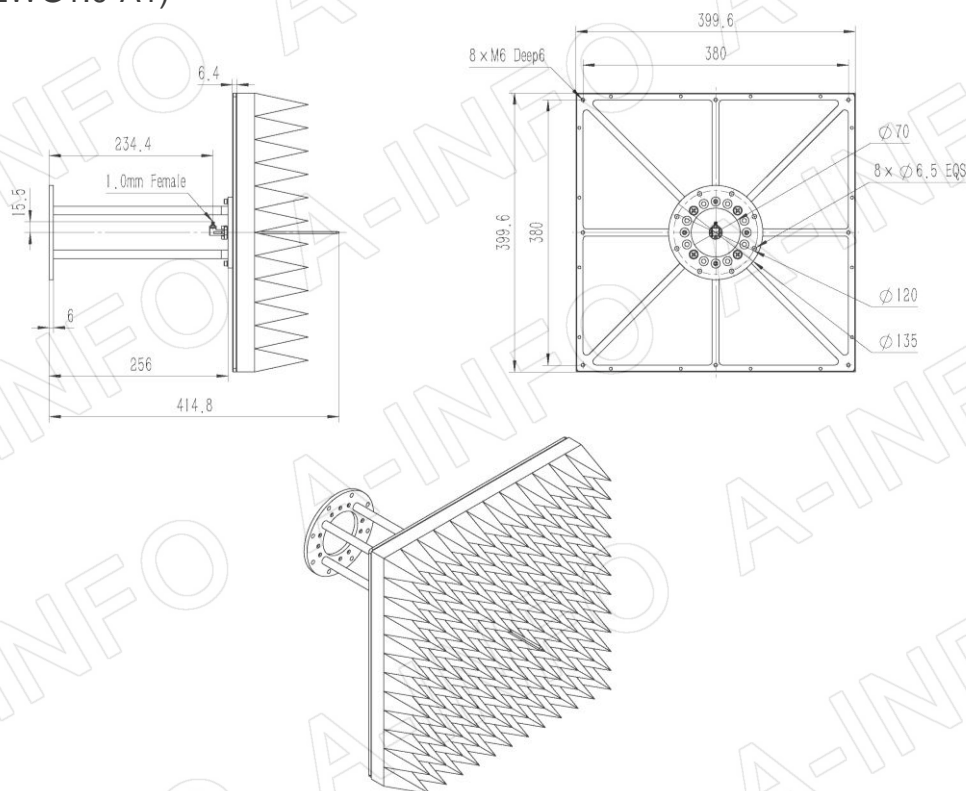
1.0mm-Female Output with L Type Mounting Bracket (Option, P/N: EWG-L30/FRP)



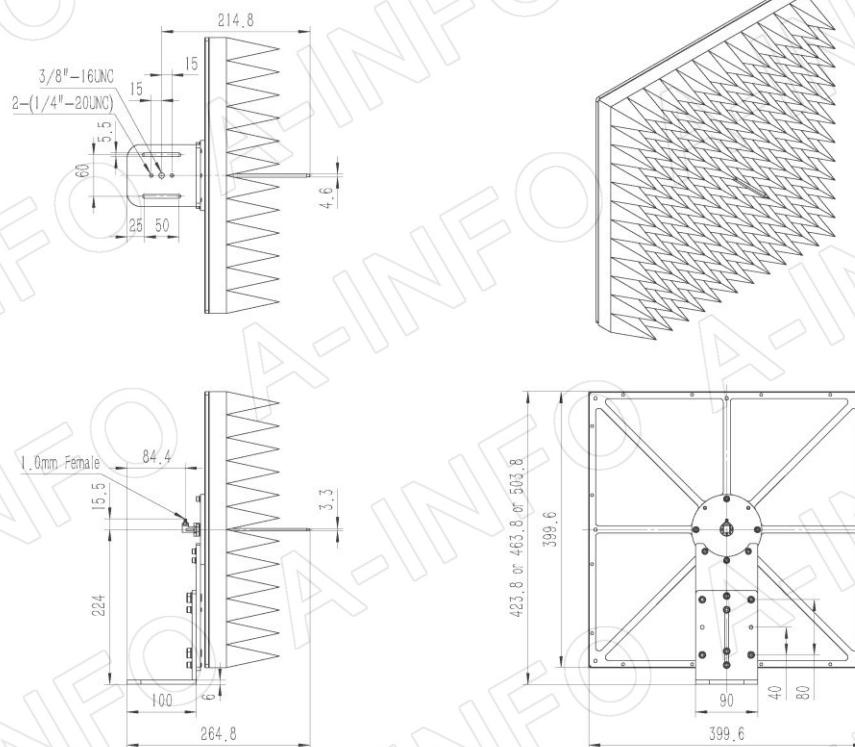
1.0mm-Female Output, Equipped with Absorber (Option, P/N: 10EWG1.0-A1)



1.0mm-Female Output with Round Mounting Bracket & Equipped with Absorber (Option, P/N: EWG-MB40 & 10EWG1.0-A1)



1.0mm-Female Output with L Type Mounting Bracket & Equipped with Absorber (Option, P/N: EWG-L30/FRP & 10EWG1.0-A1)



AINFO Inc.

China(Beijing): Tel: (+86) 10-6266-7326,
China(Chengdu): Tel: (+86) 28-8519-2786,
USA: Tel: (+1) 949-639-9688,

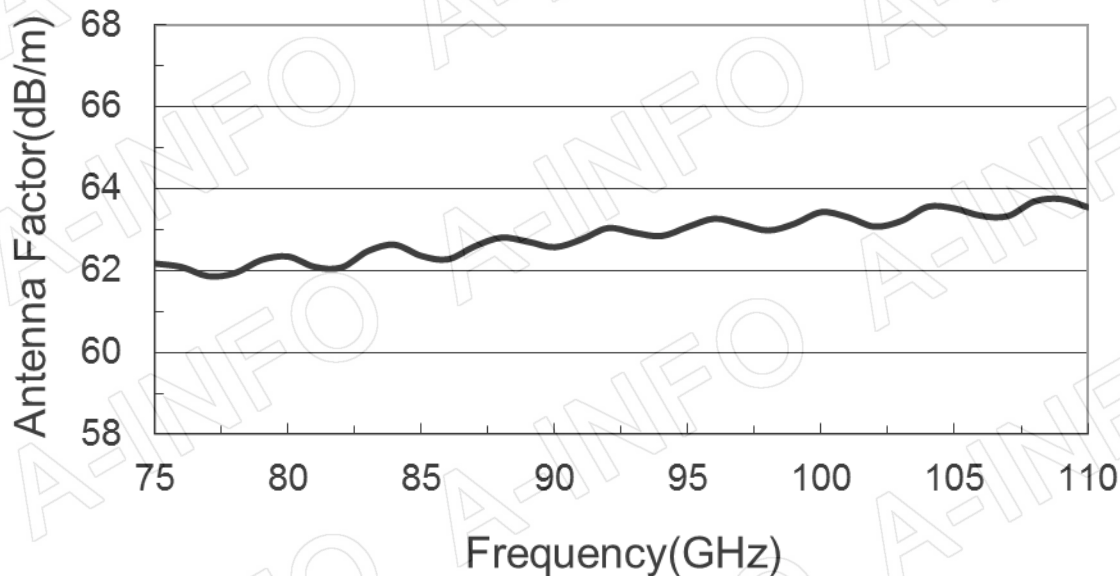
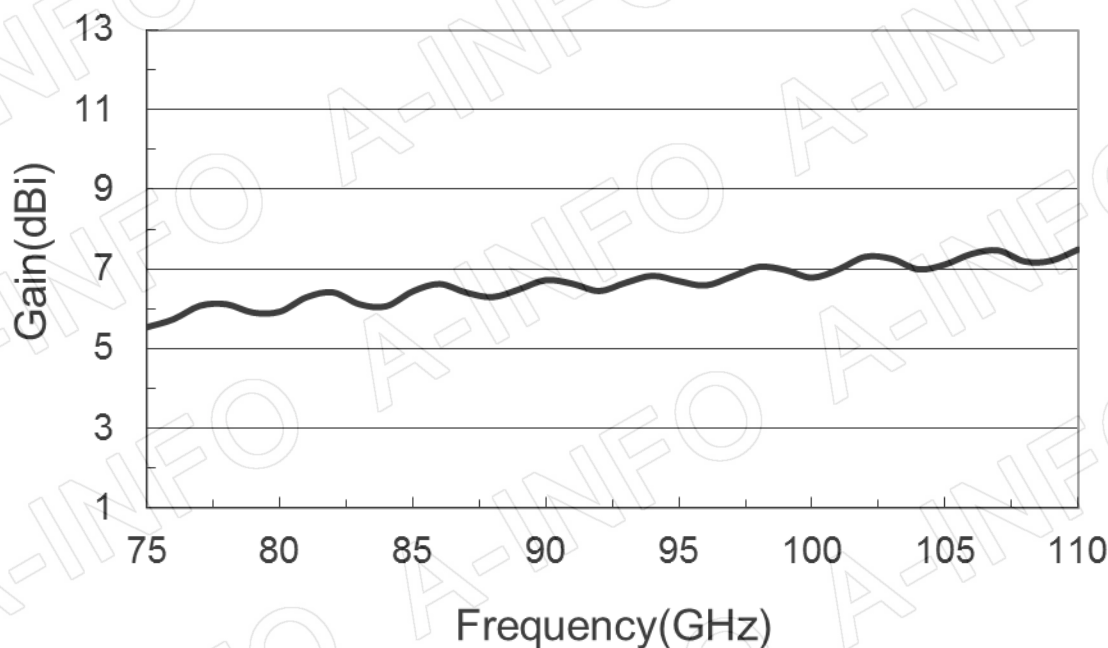
Page 4 of 7

(+86) 10-6266-7327 Fax: (+86) 10-6266-7379
(+86) 28-8519-3044 Fax: (+86) 28-8519-3068
(+1) 949-639-9608 Fax: (+1) 949-639-9670

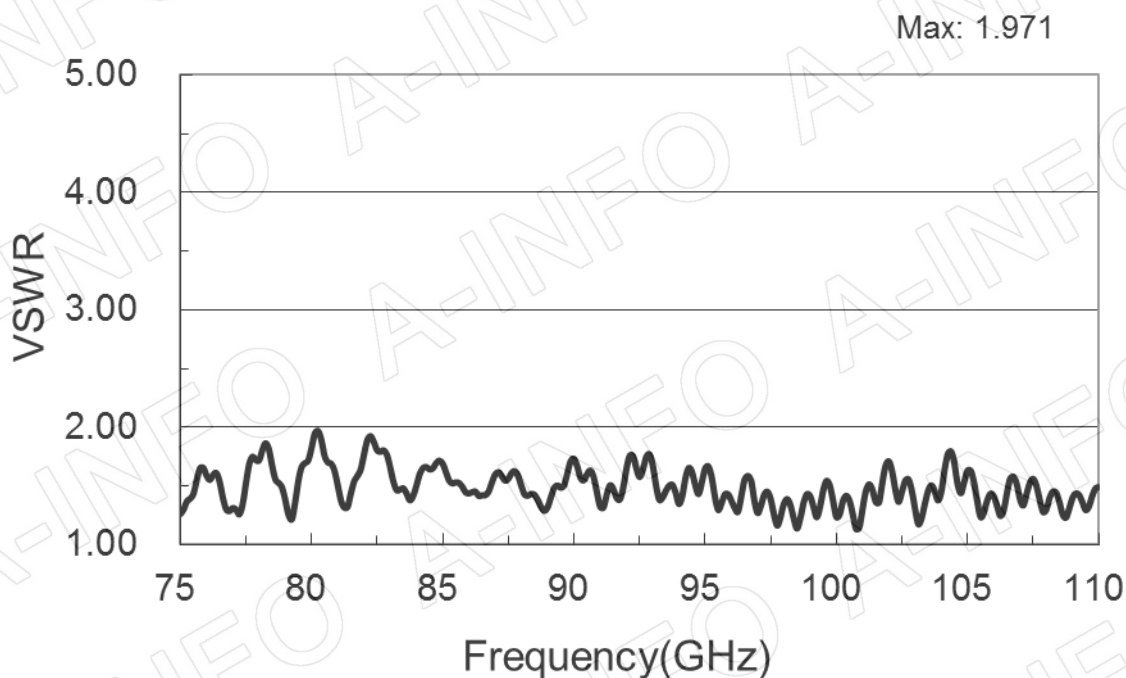
Website: www.ainfoinc.com
Email: sales@ainfoinc.com

Test Results

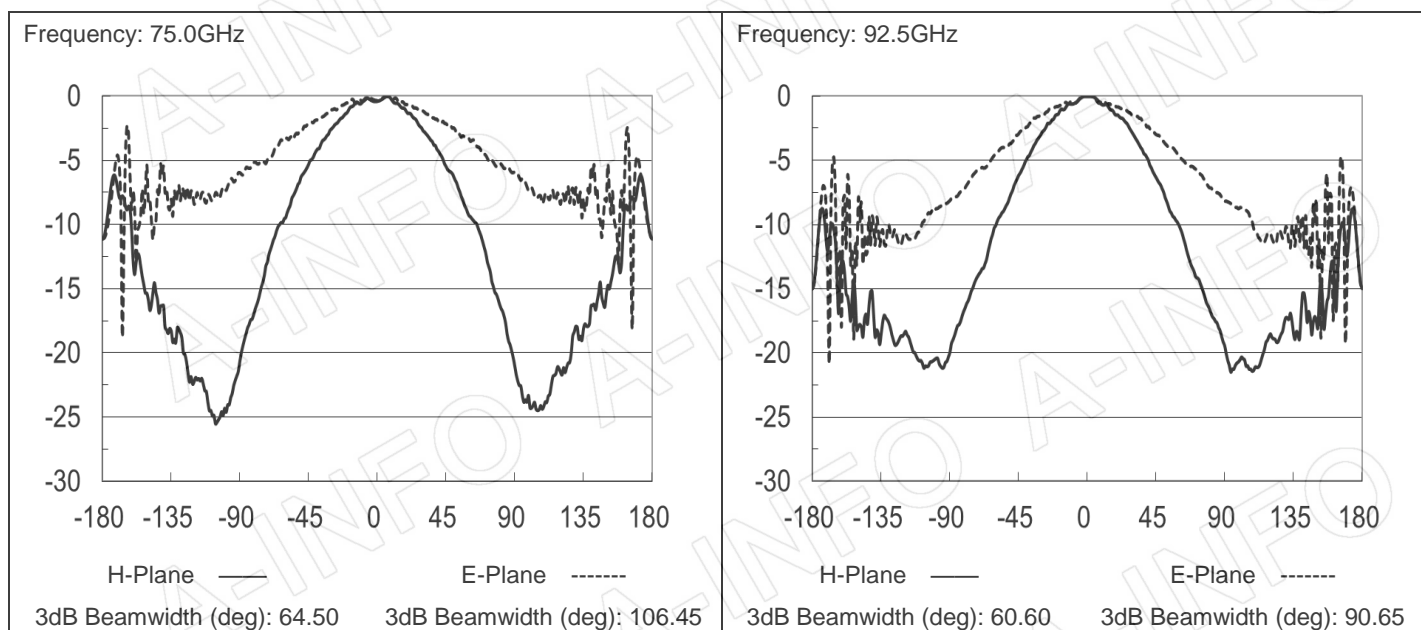
1. Gain & Antenna Factor

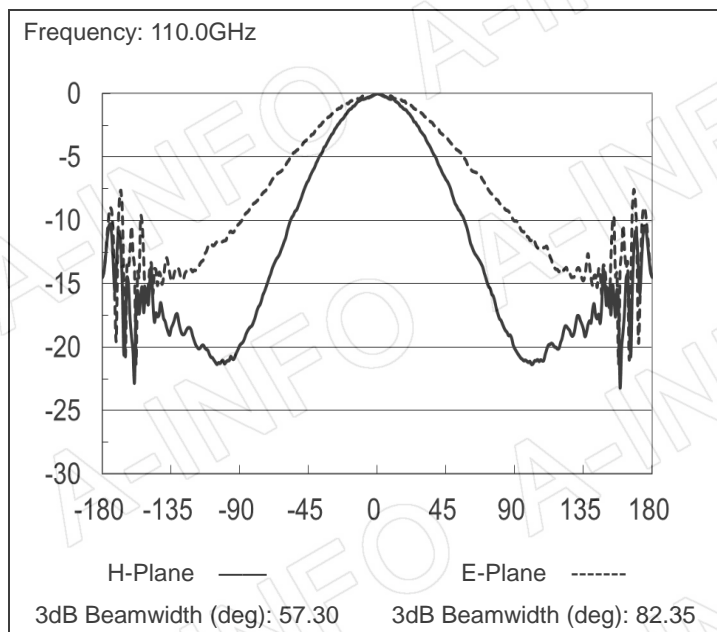


2. VSWR



3. Pattern





AINFO Inc.

China(Beijing): Tel: (+86) 10-6266-7326,
China(Chengdu): Tel: (+86) 28-8519-2786,
USA: Tel: (+1) 949-639-9688,

Page 7 of 7

(+86) 10-6266-7327 Fax: (+86) 10-6266-7379
(+86) 28-8519-3044 Fax: (+86) 28-8519-3068
(+1) 949-639-9608 Fax: (+1) 949-639-9670

Website: www.ainfoinc.com
Email: sales@ainfoinc.com