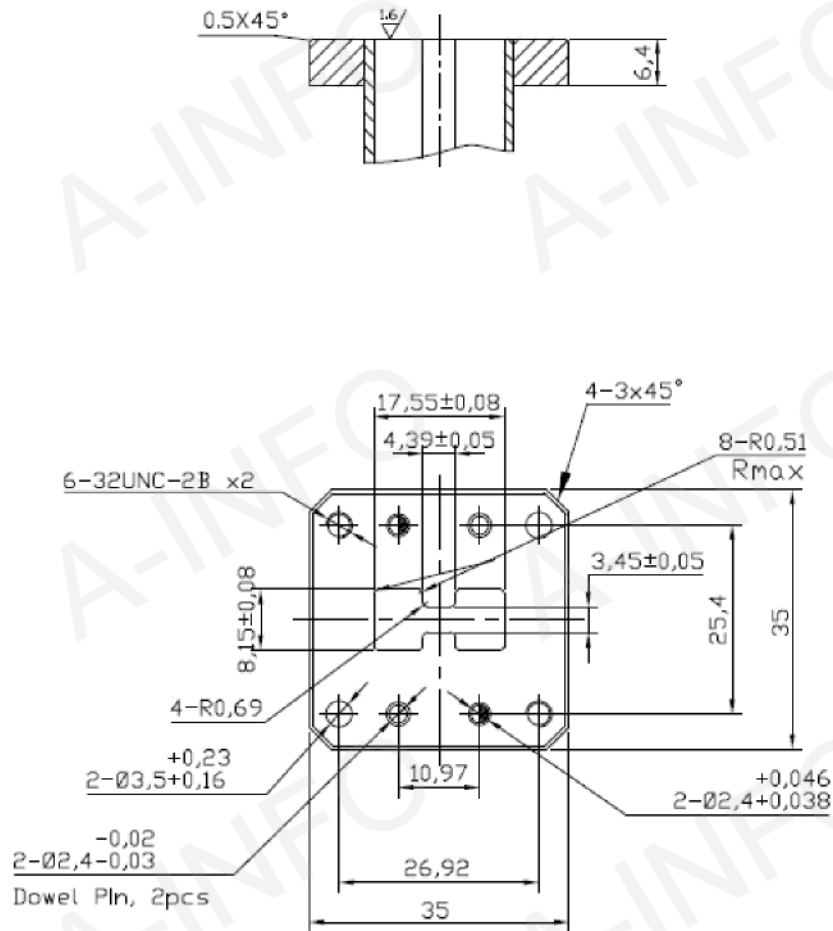


Flange Drawing (Size: mm)

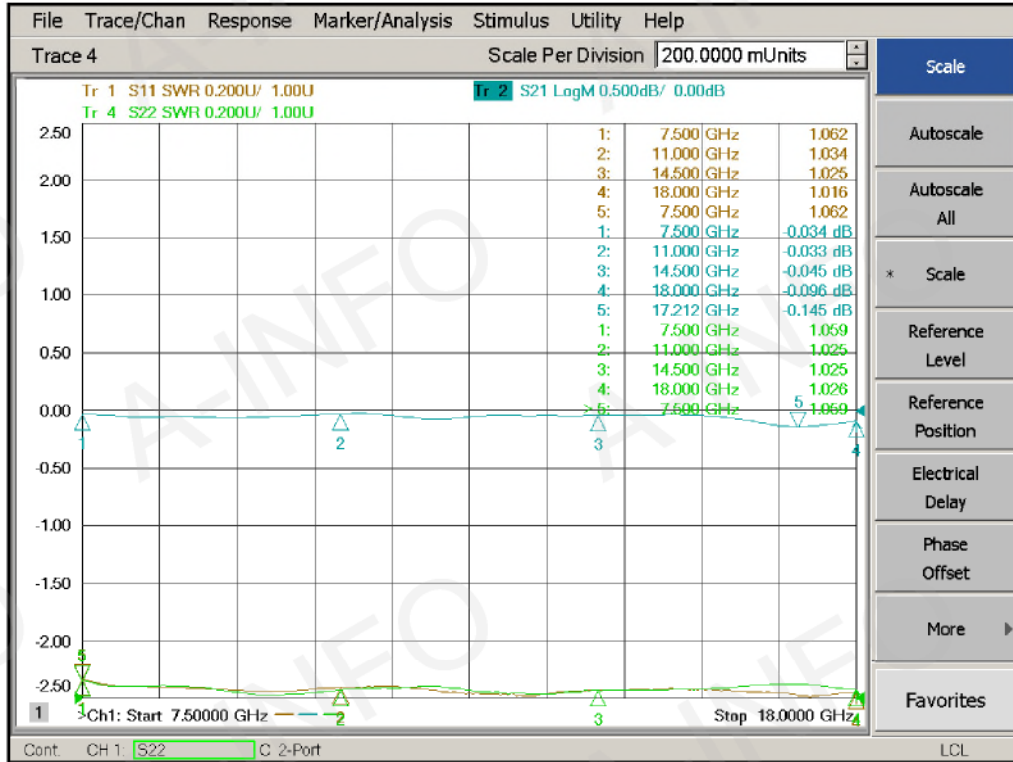
FPWRD750D24

(With two through mounting holes and two screws holes)

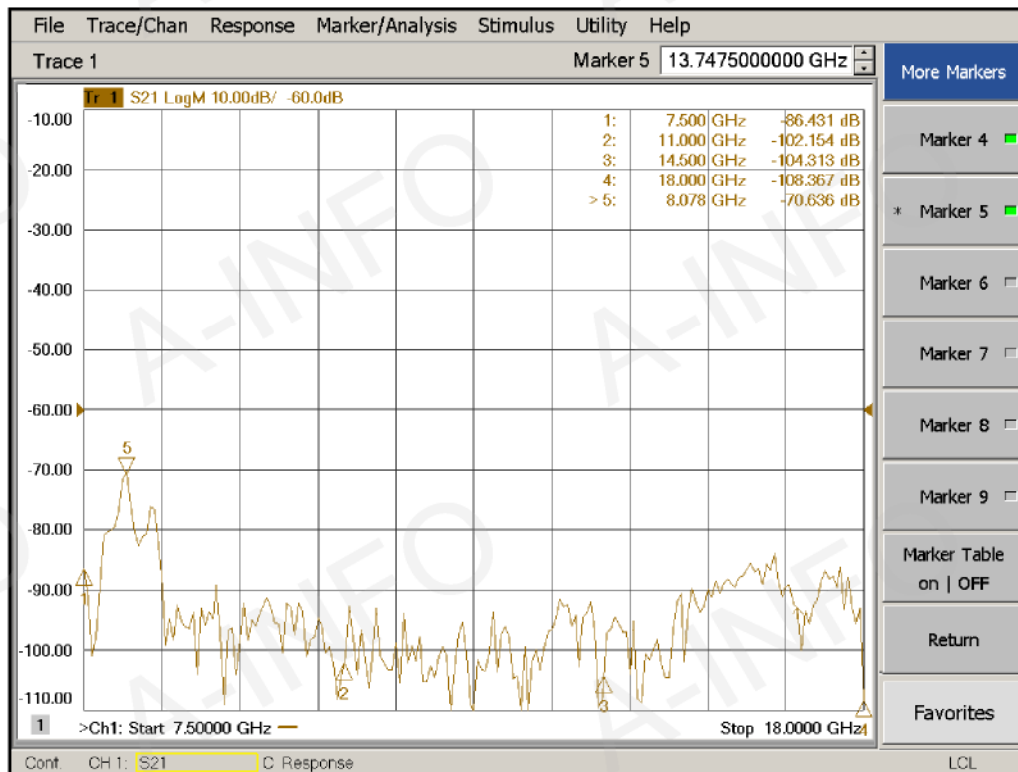


Test Results

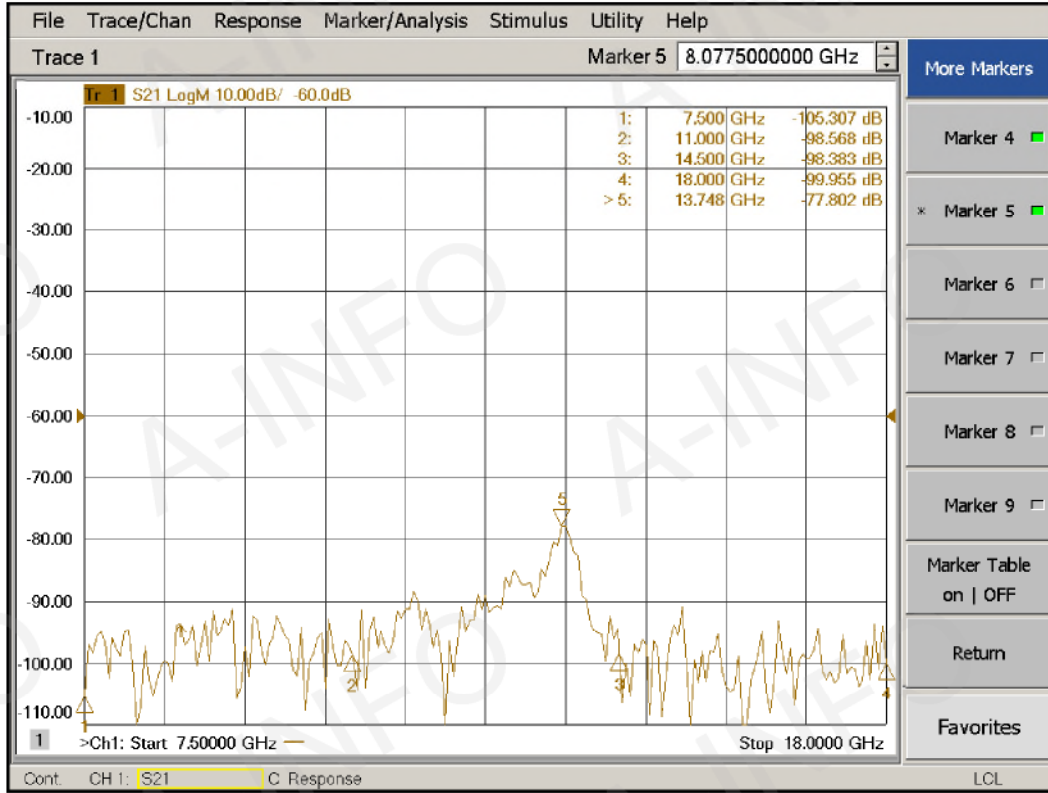
I.L. @Pos. 1



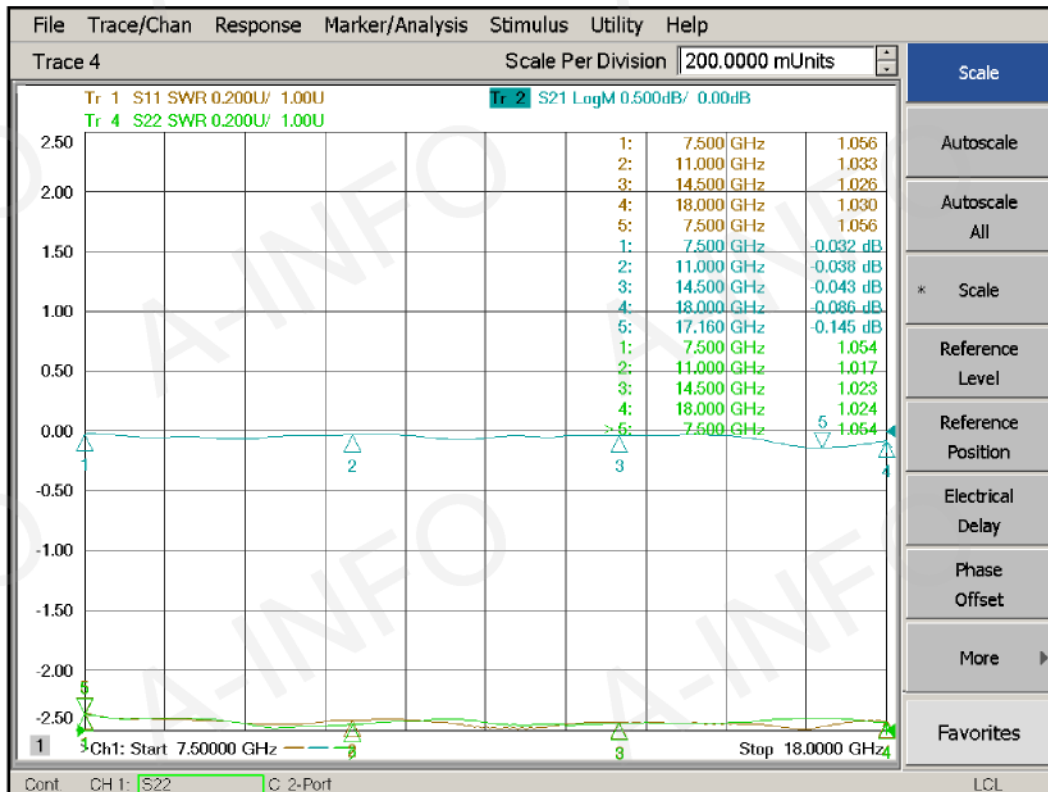
Iso.(From port 1 to port 3) @ Pos. 1



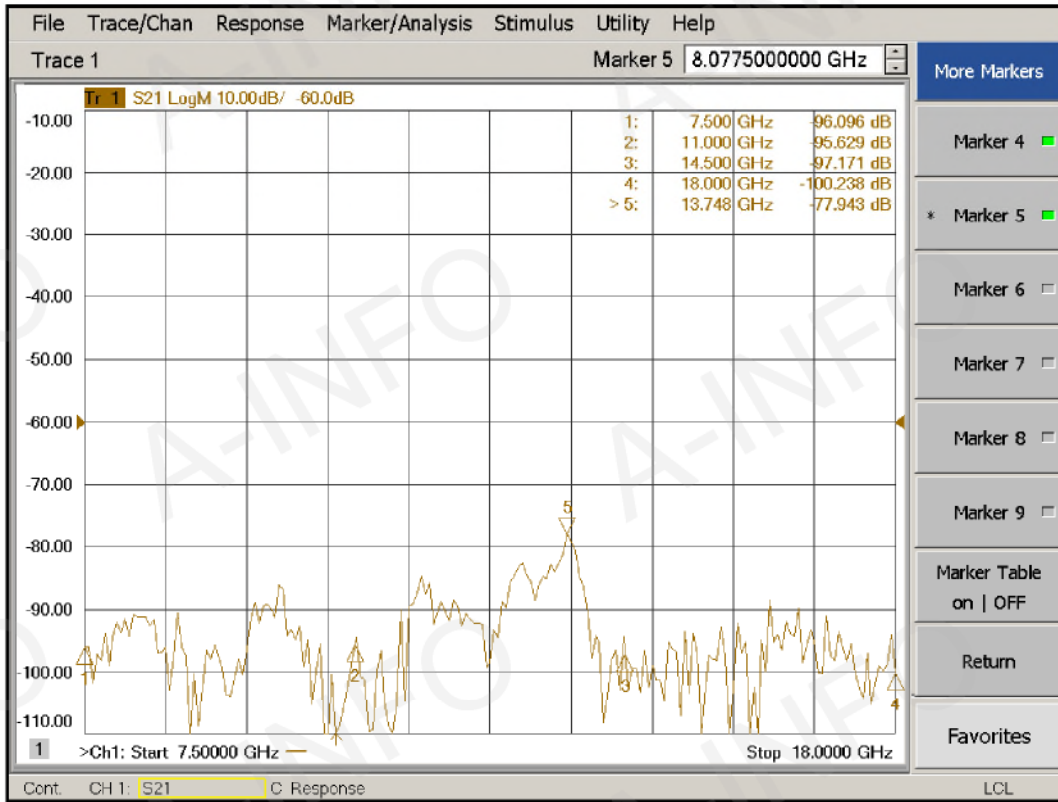
Iso.(From port 2 to port 3) @ Pos. 1



I.L. @ Pos. 2



Iso.(From port 1 to port 2) @ Pos. 2



Iso.(From port 3 to port 2) @ Pos. 2

