

Conducted Immunity Testing based on IEC 61000-4-6 (Voltage testing, 150kHz-80MHz)

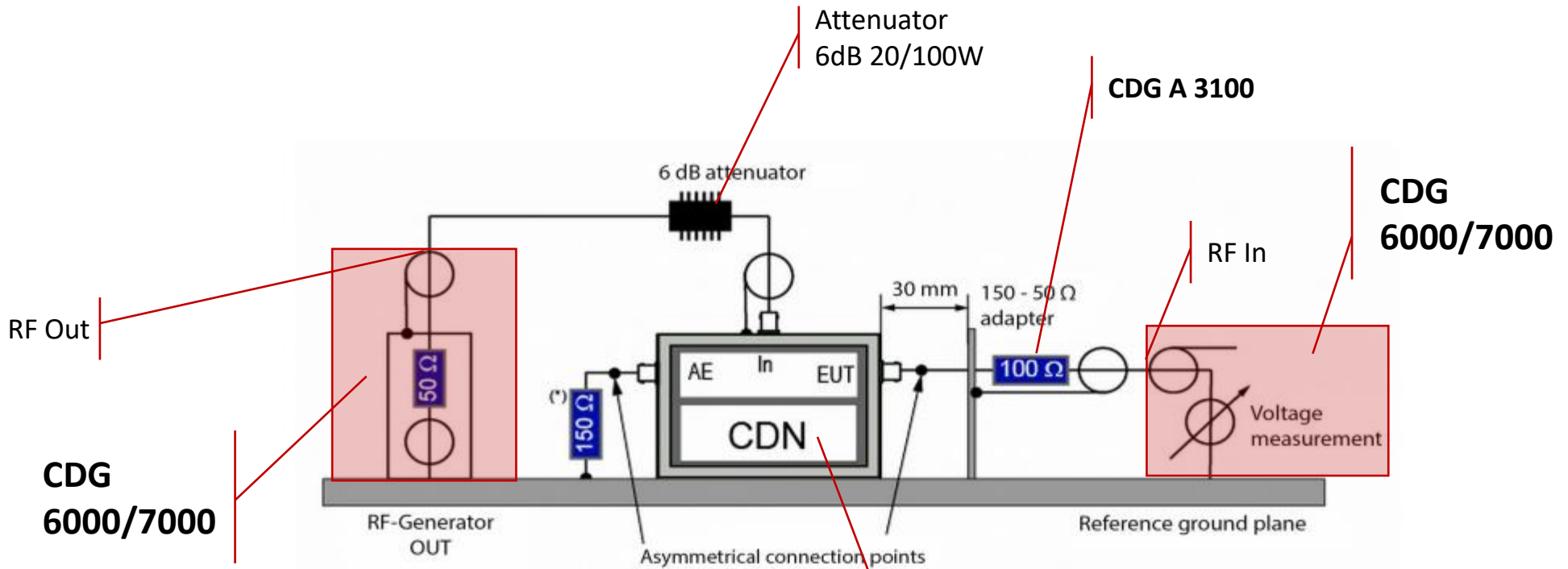


Figure 4: Test setup for test level determination of EUT with coupling/decoupling device

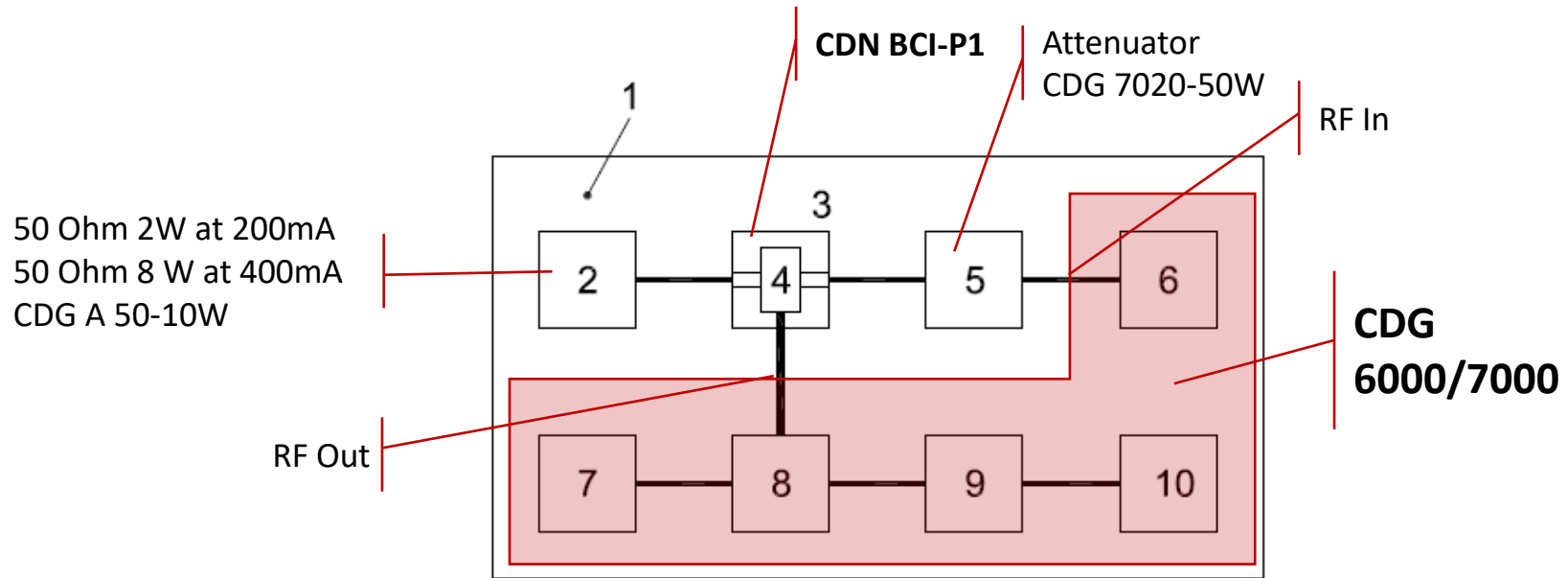
Preferred Schlöder IEC Devices:

- CDG 7000-25/75
- CDN xxx
- CDG 7006-20W/100W
- CDG A 3100

Frequency range 150 kHz to 80 MHz		
Level	Voltage level (e.m.f.)	
	U_0 V	U_0 dB(μ V)
1	1	120
2	3	129,5
3	10	140
X ^a	Special	

^a "X" can be any level, above, below or in between the others. The level has to be specified in the dedicated equipment specification.

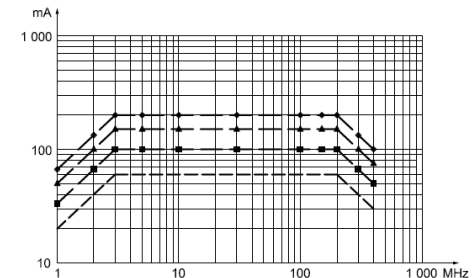
BCI Testing based on ISO 11452-4 (Current testing, 1MHz-400MHz)



Key

- | | |
|--|---|
| 1 shielded enclosure | 7 RF power level measuring device |
| 2 50 Ω coaxial load, VSWR 1,2:1 max | 8 RF 50 Ω dual directional coupler (with 30 dB minimum decoupling coefficient) |
| 3 calibration fixture | 9 broadband amplifier with 50 Ω output impedance |
| 4 injection probe | 10 RF signal generator |
| 5 50 Ω attenuator | |
| 6 spectrum analyser or equivalent | |

Figure A.1 — Block diagram of calibration configuration



Preferred Schlöder BCI Devices:

- CDG 7000-75
- CDN BCI-P1
- CDG 7020-50W
- CDG A 50-10W

BCI Testing based on MIL-STD-461G/CS114 (Current testing, 10kHz-200MHz)

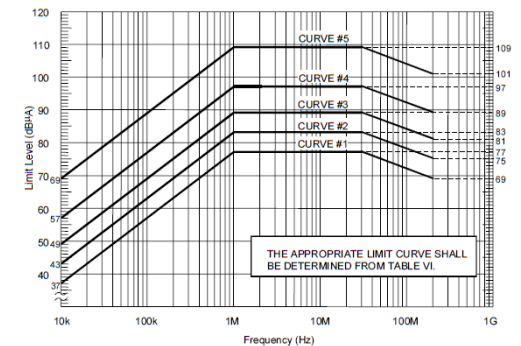
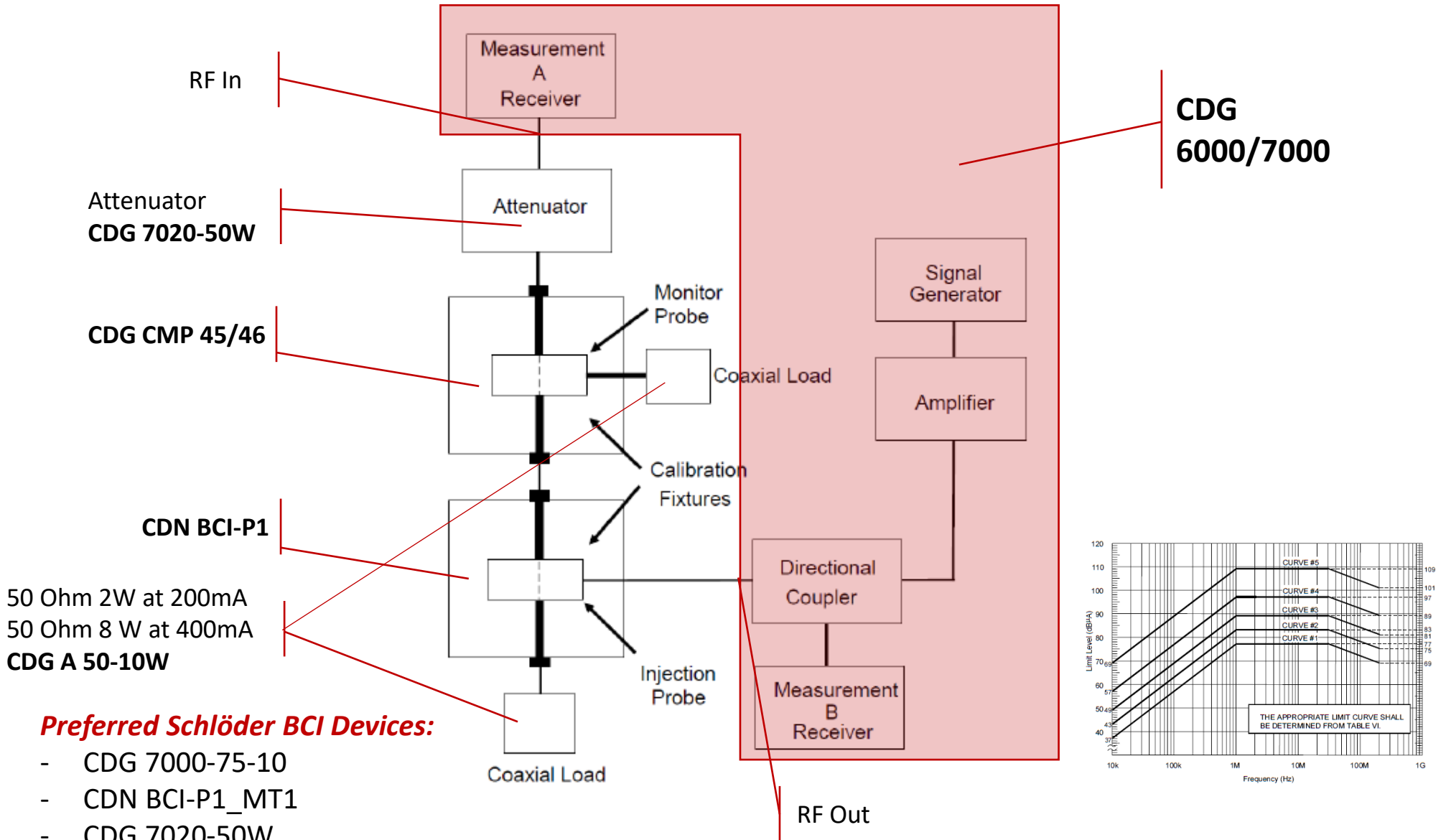


FIGURE CS114-3. Calibration setup.